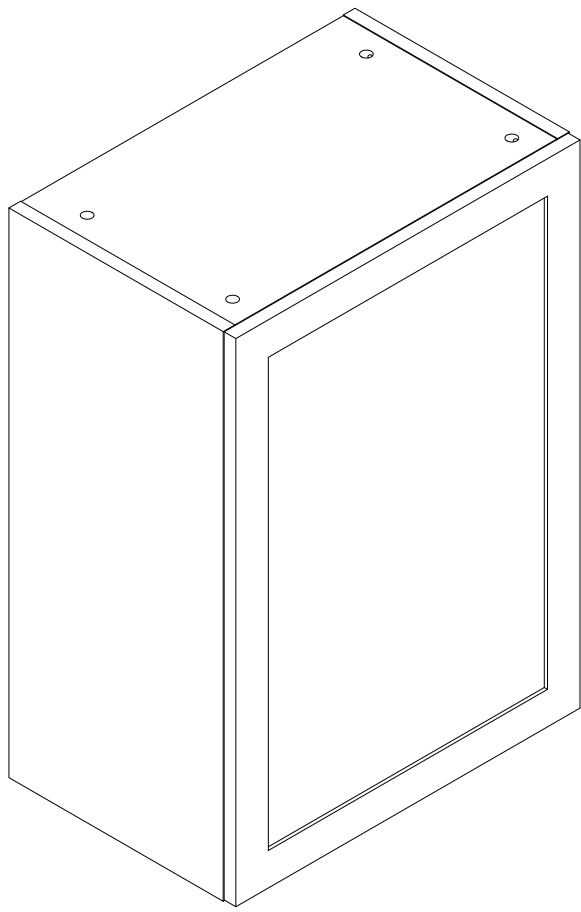
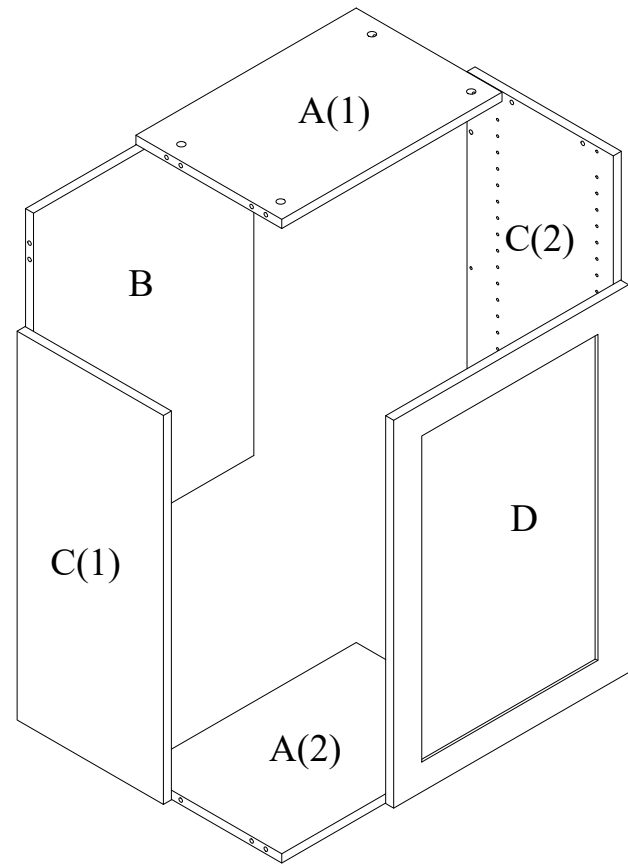
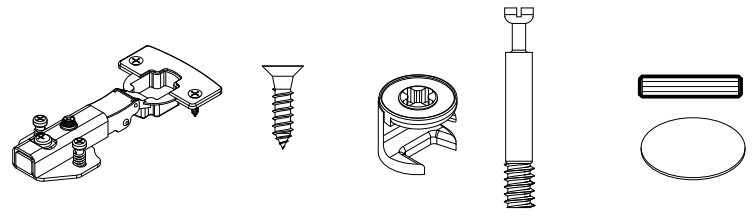


**WALL CABINET**

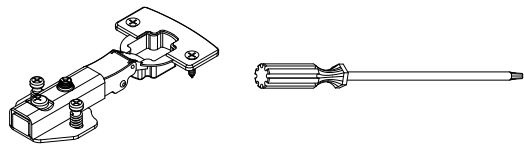
W09"30"13"  
W12"30"13"  
W15"30"13"  
W18"30"13"  
W21"30"13"  
W24"30"13"



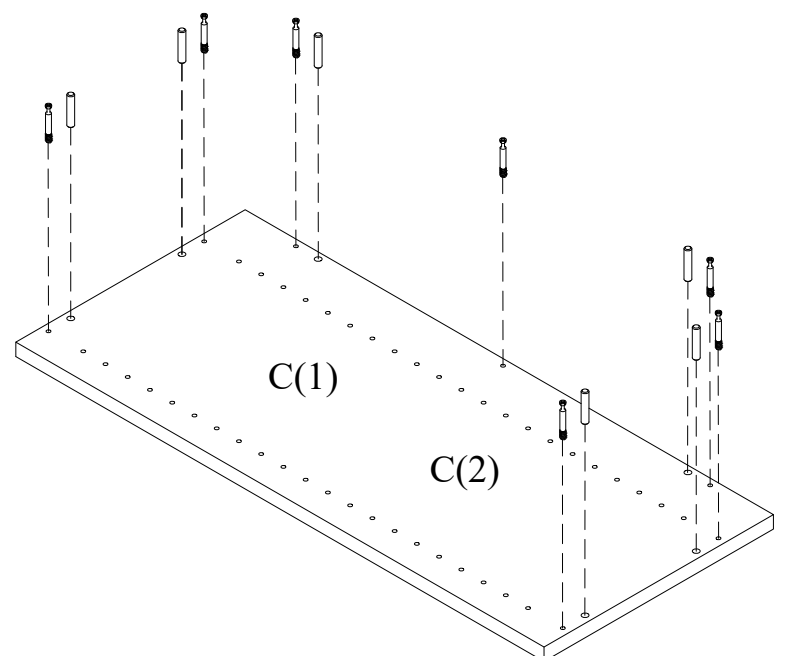
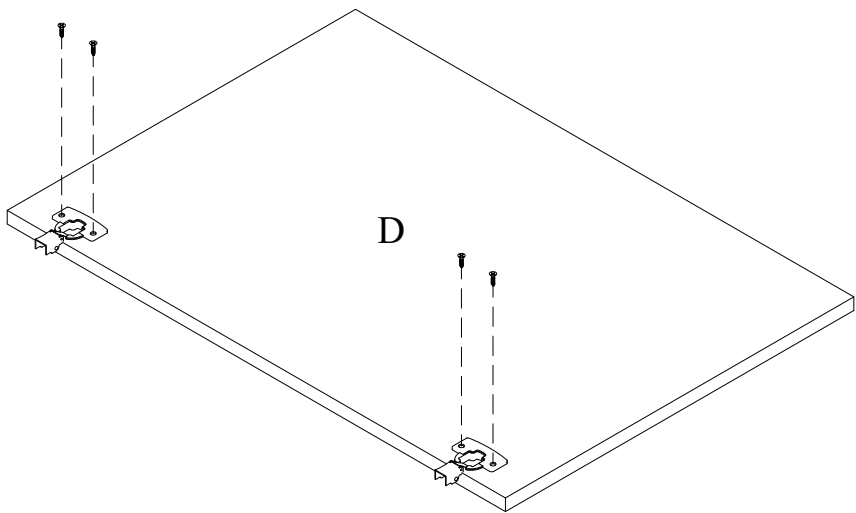
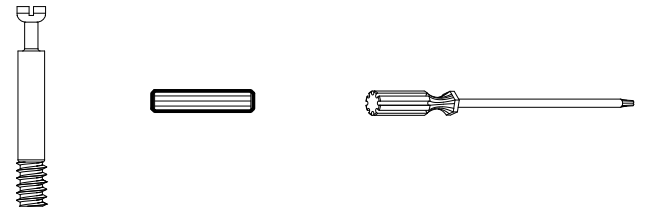
**PARTS**

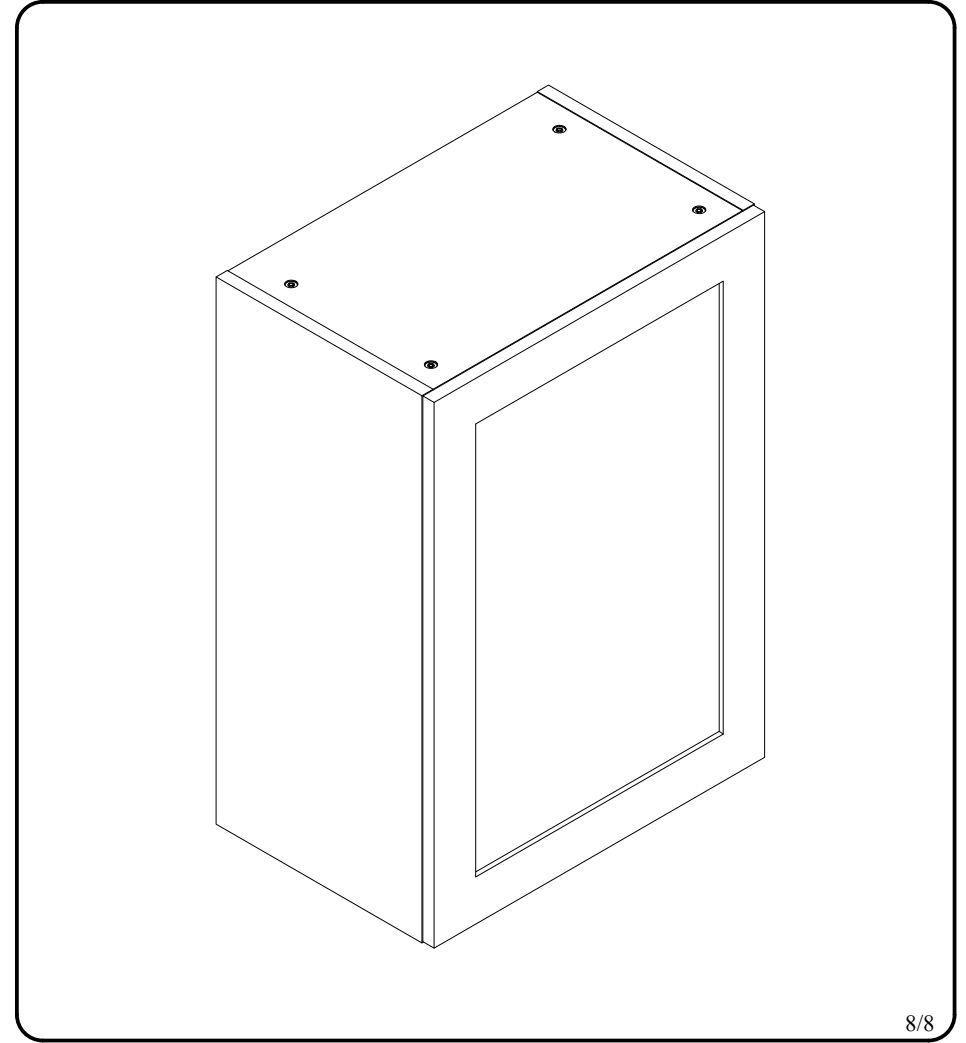
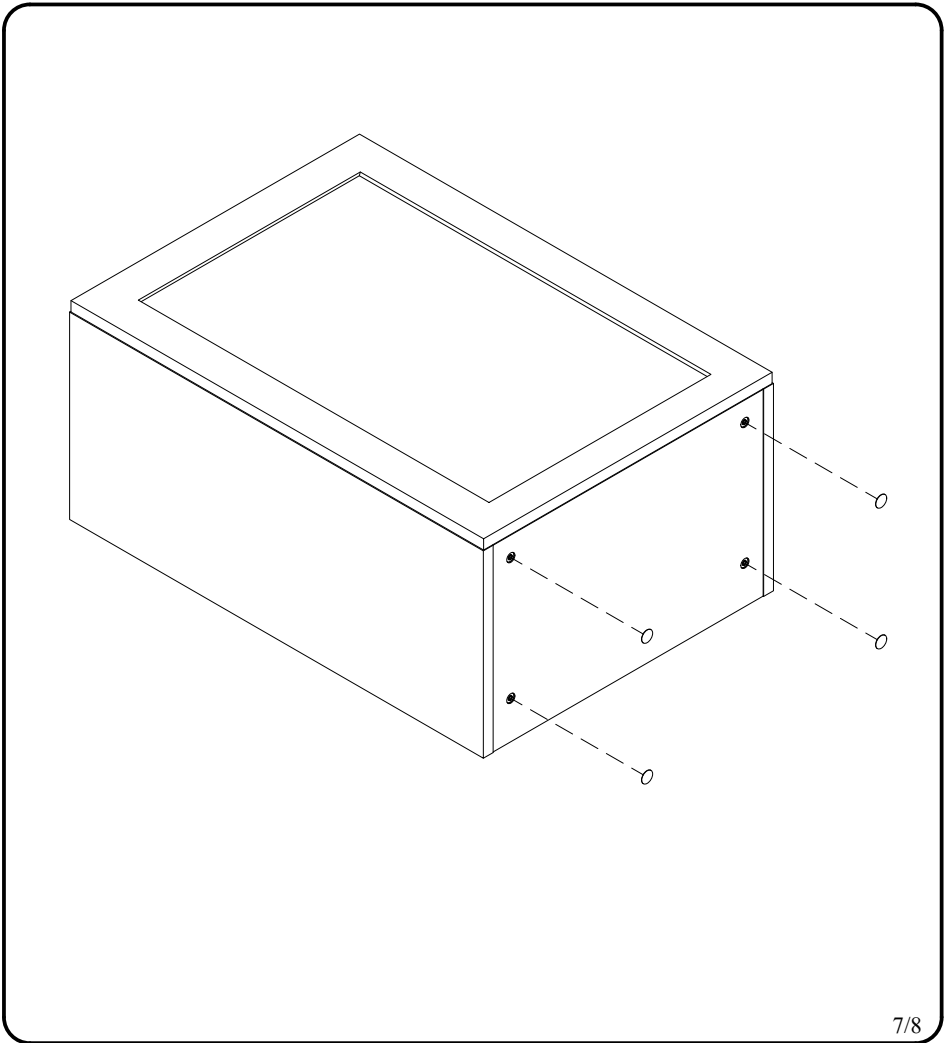
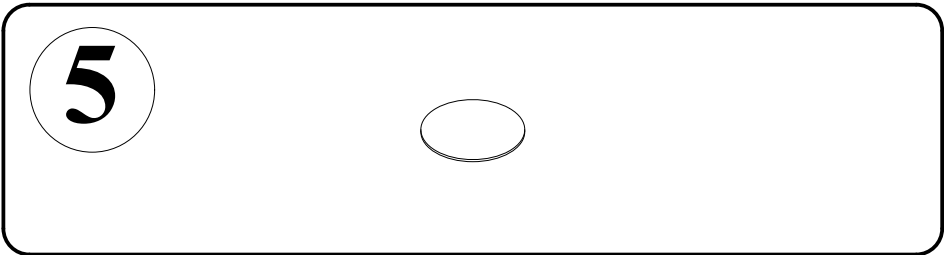
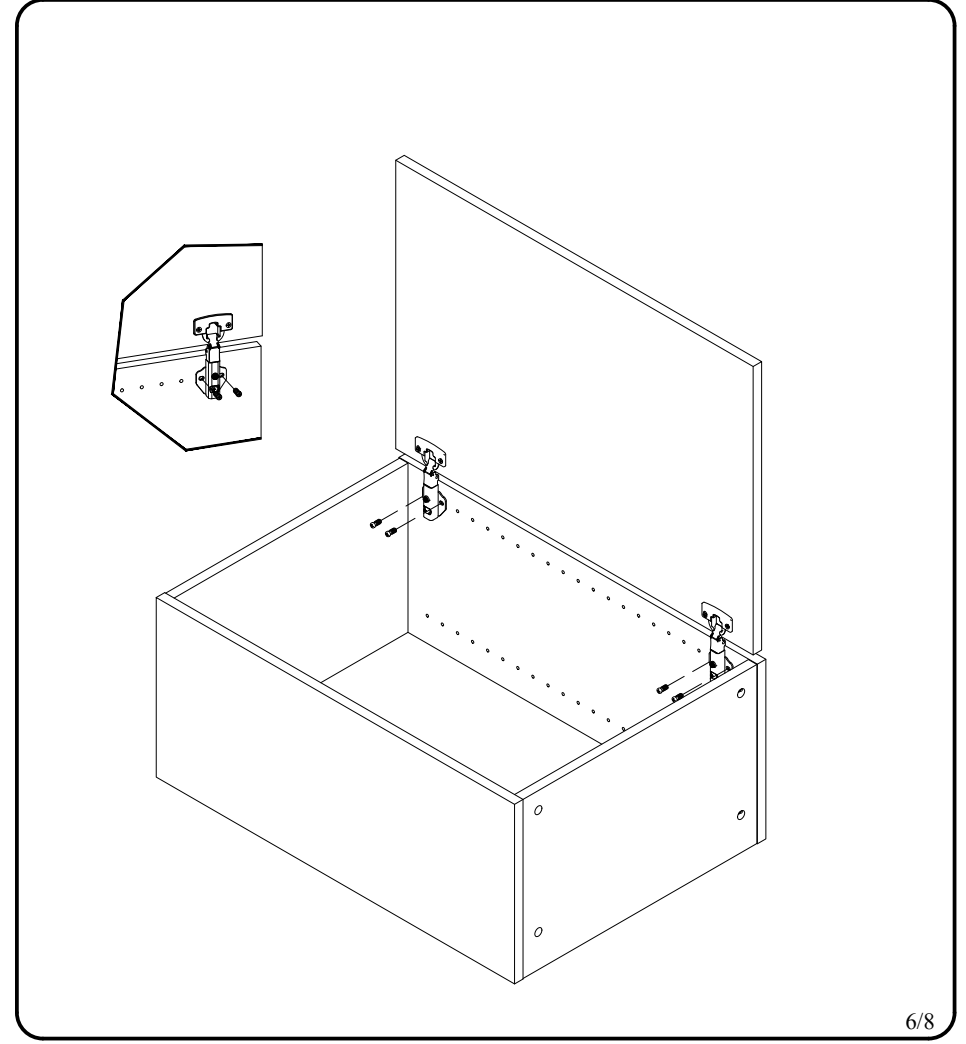
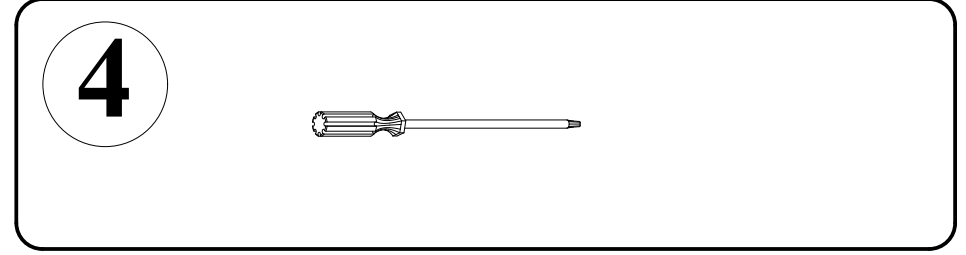
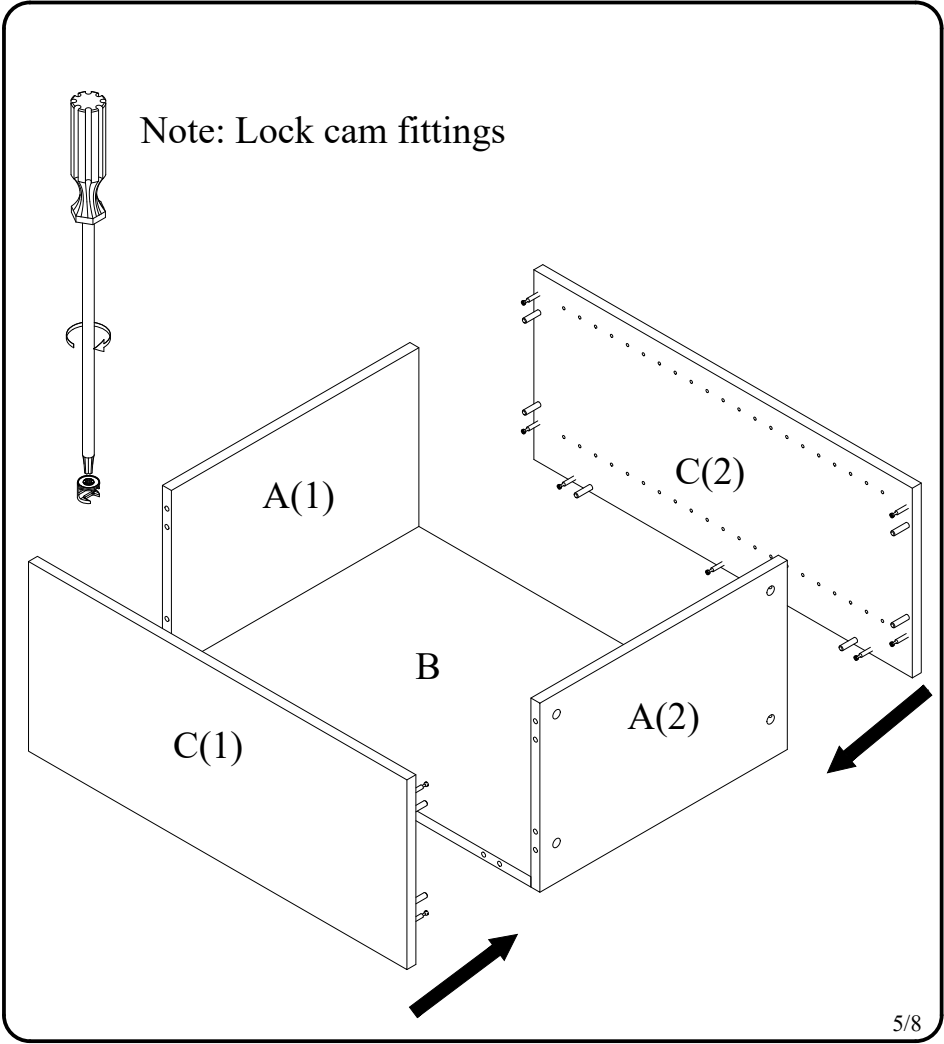
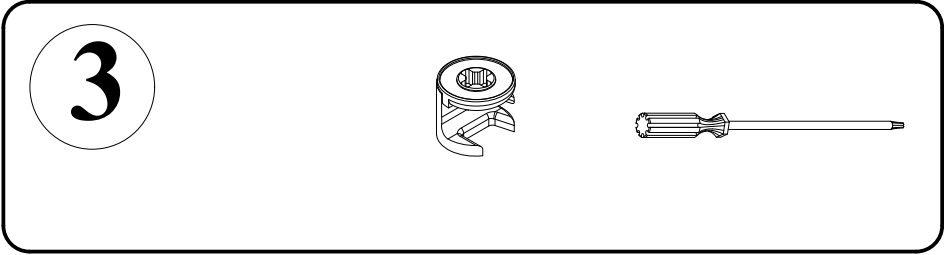


**1**



**2**





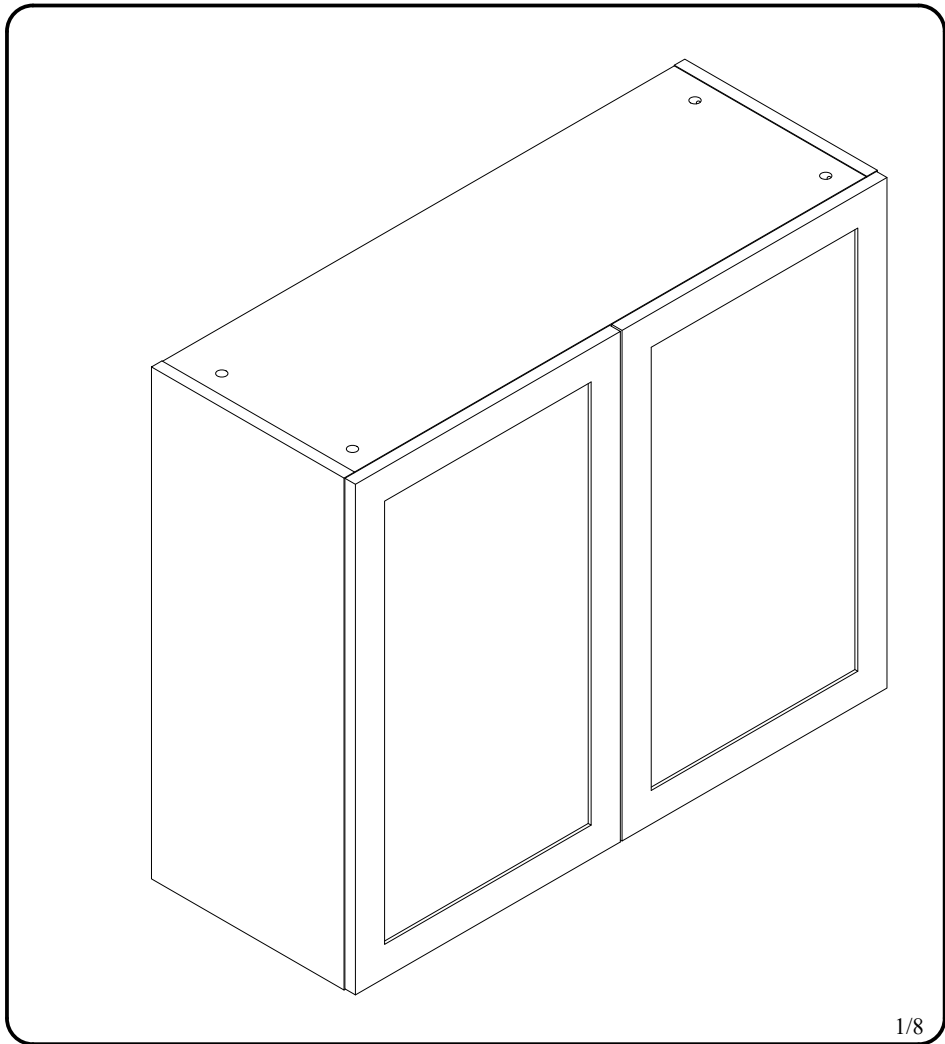
WALL CABINET

W27"30"13"

W30"30"13"

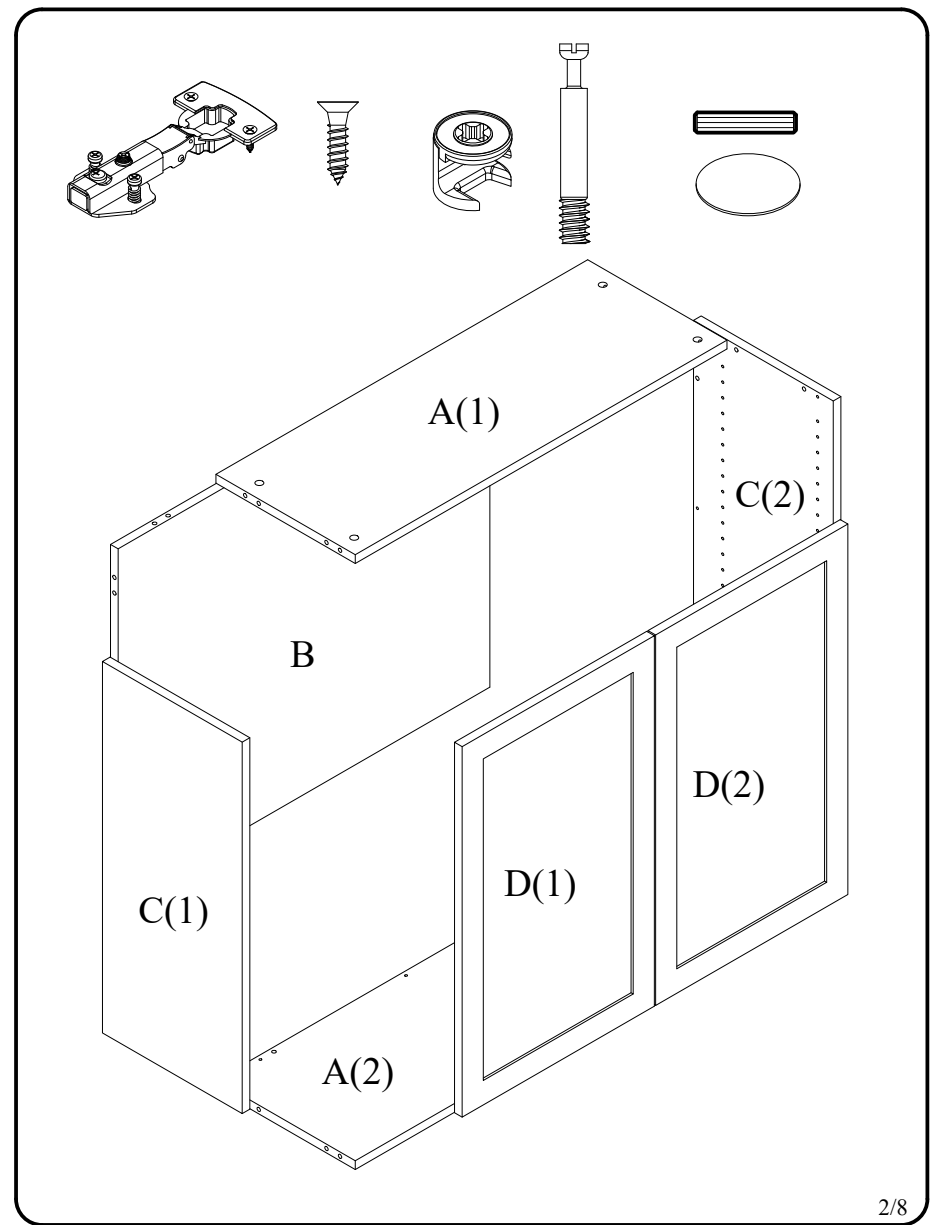
W33"30"13"

W36"30"13"



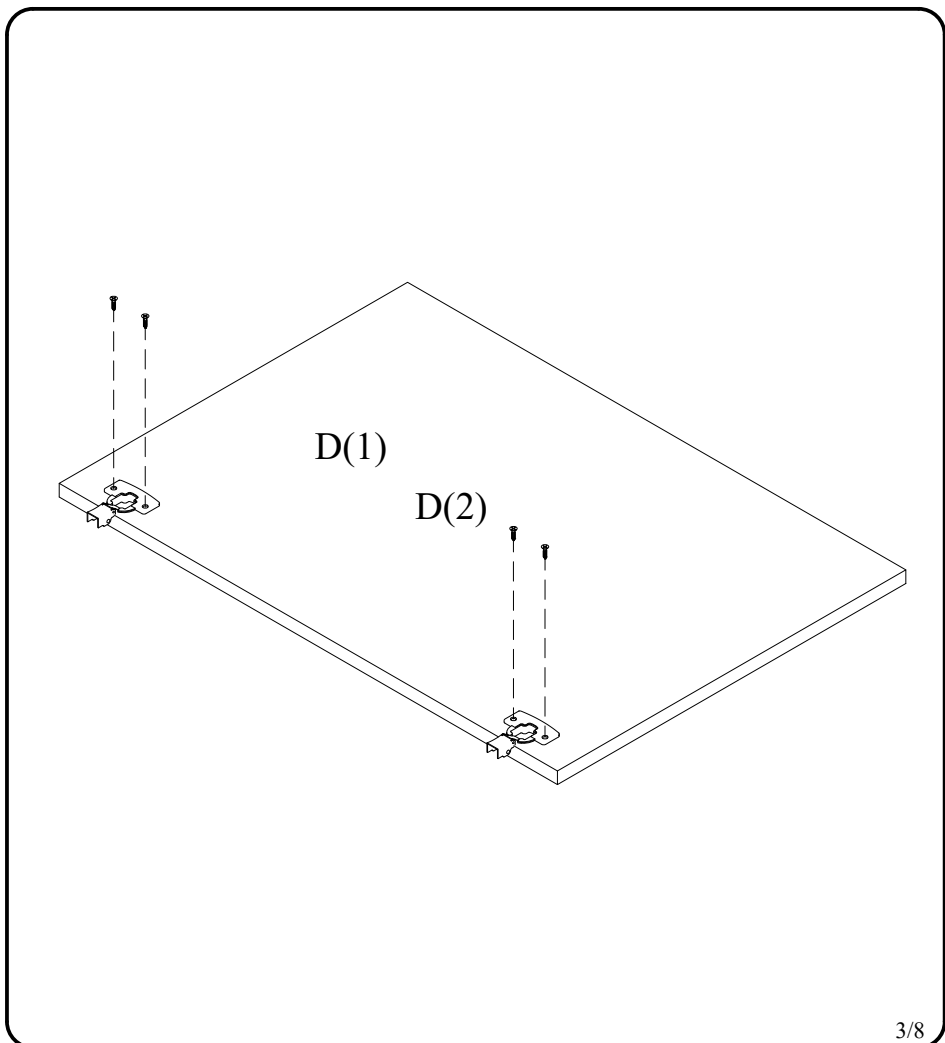
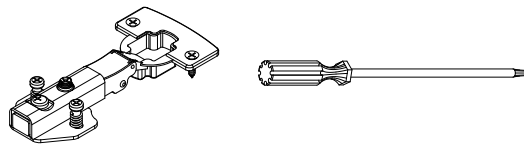
1/8

PARTS



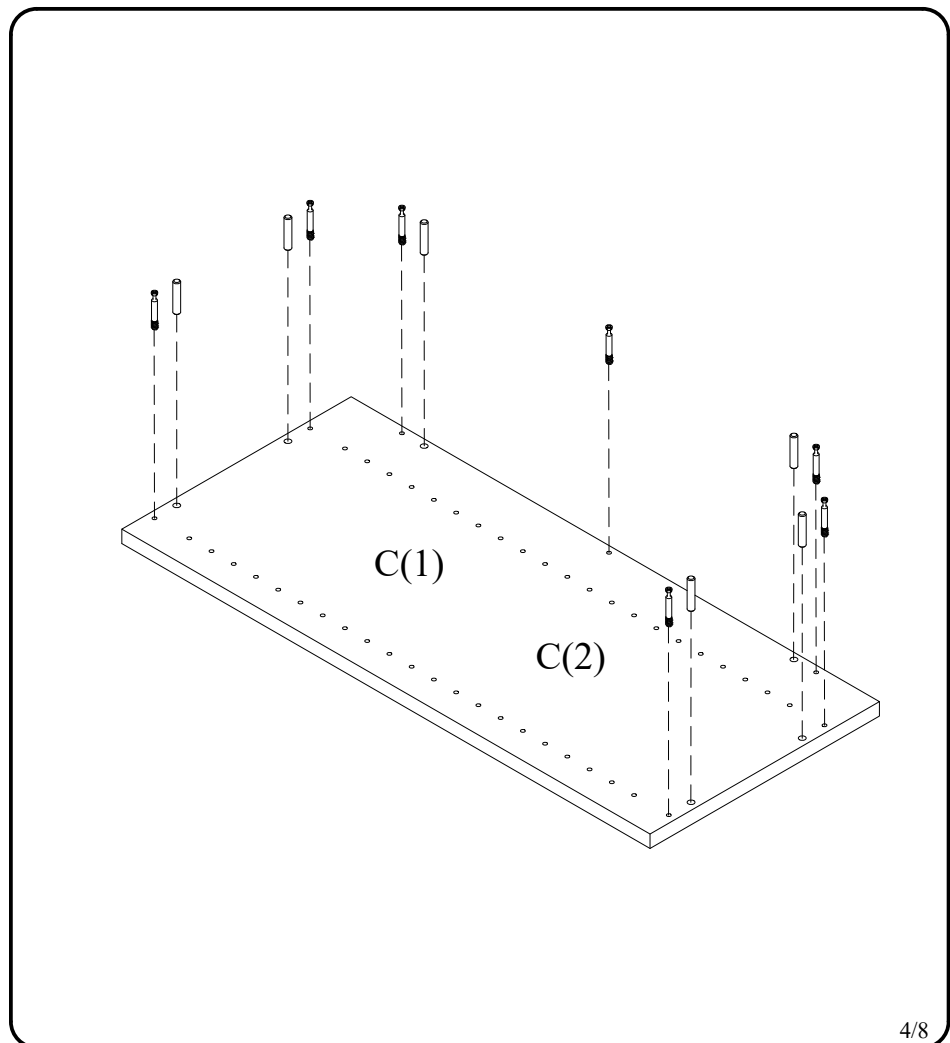
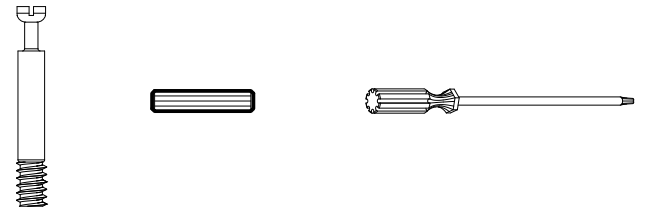
2/8

1

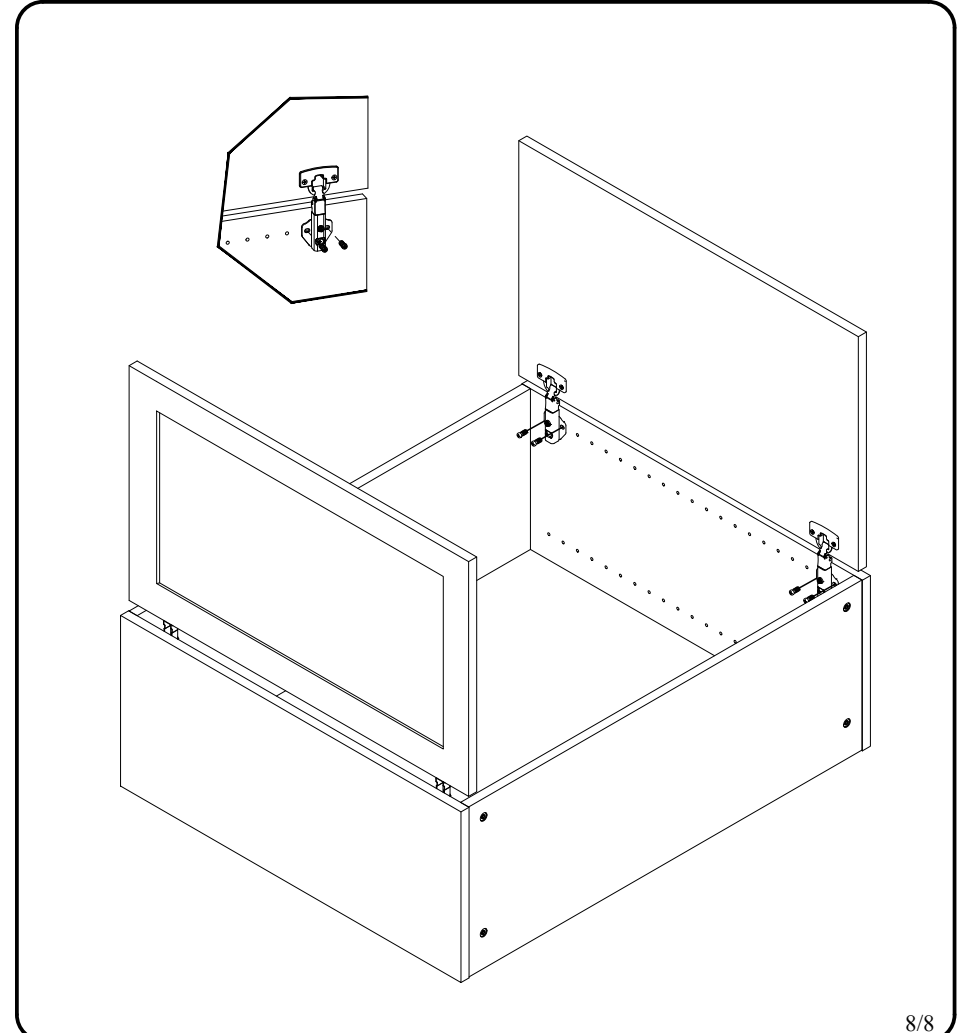
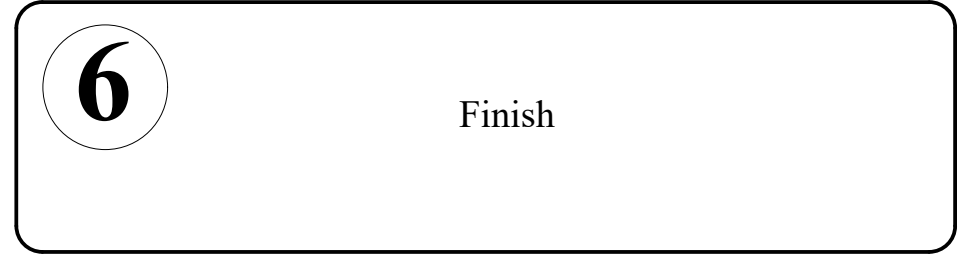
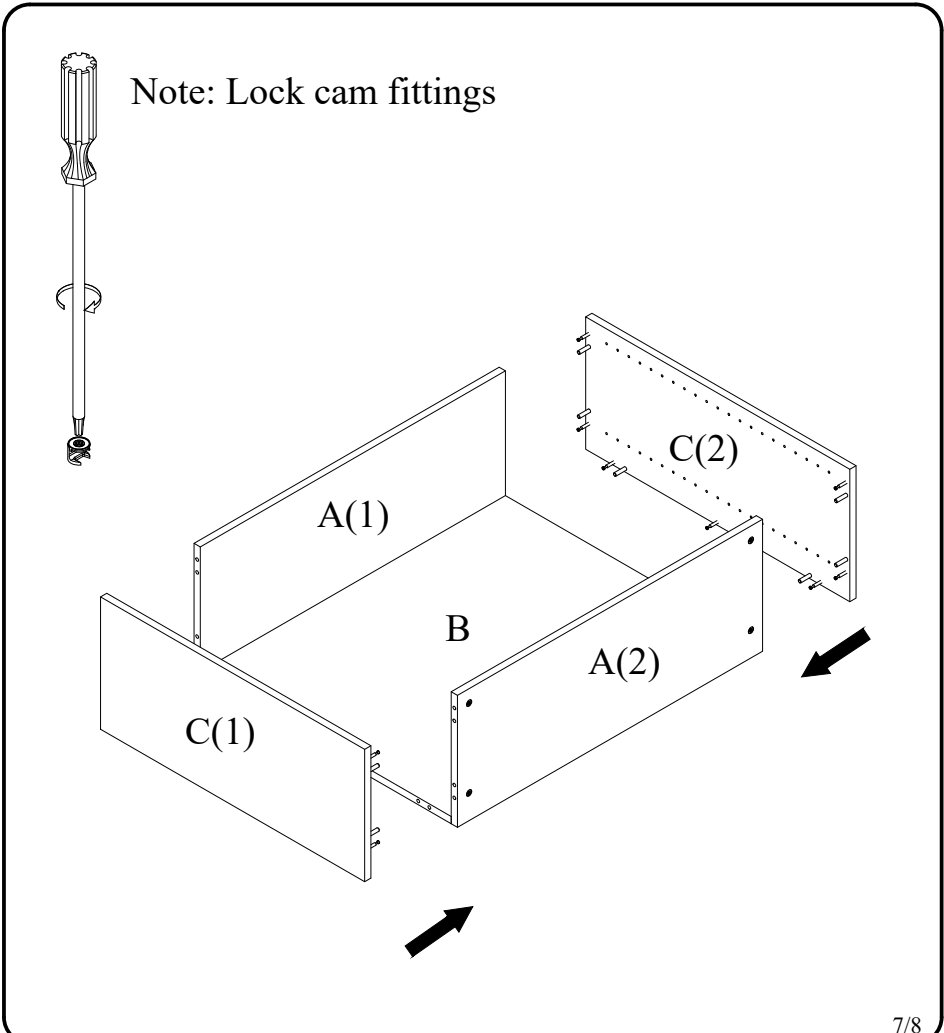
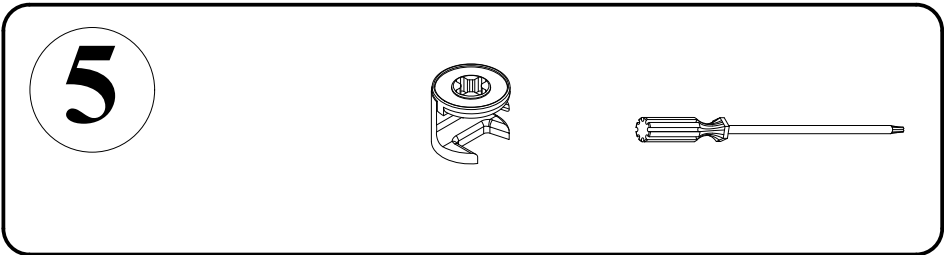
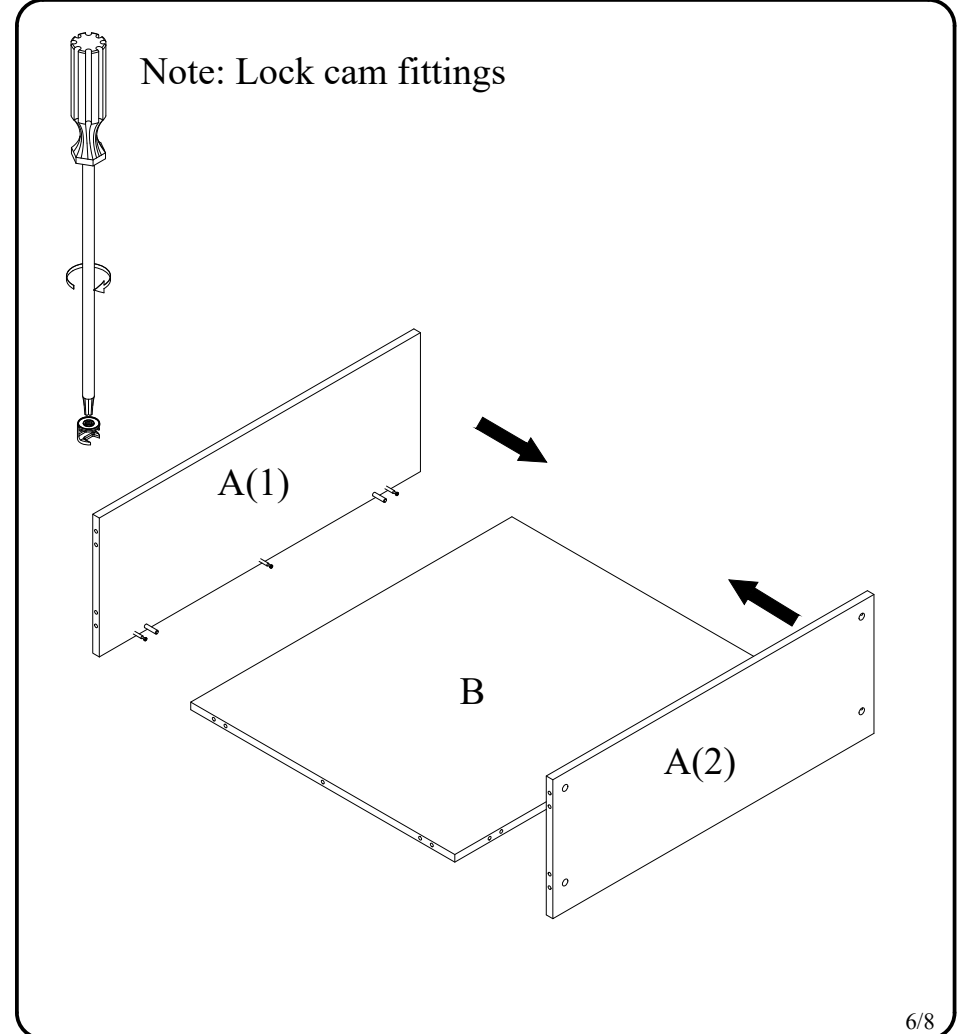
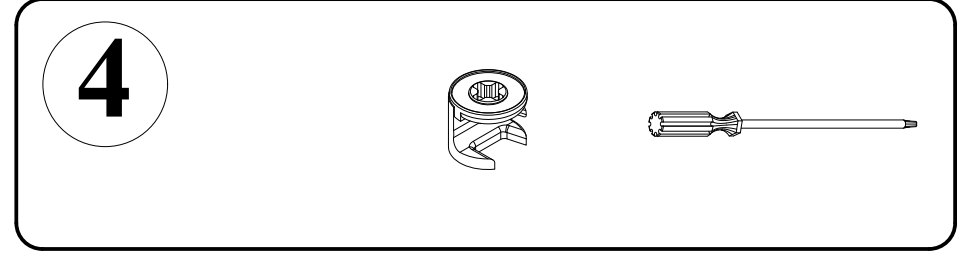
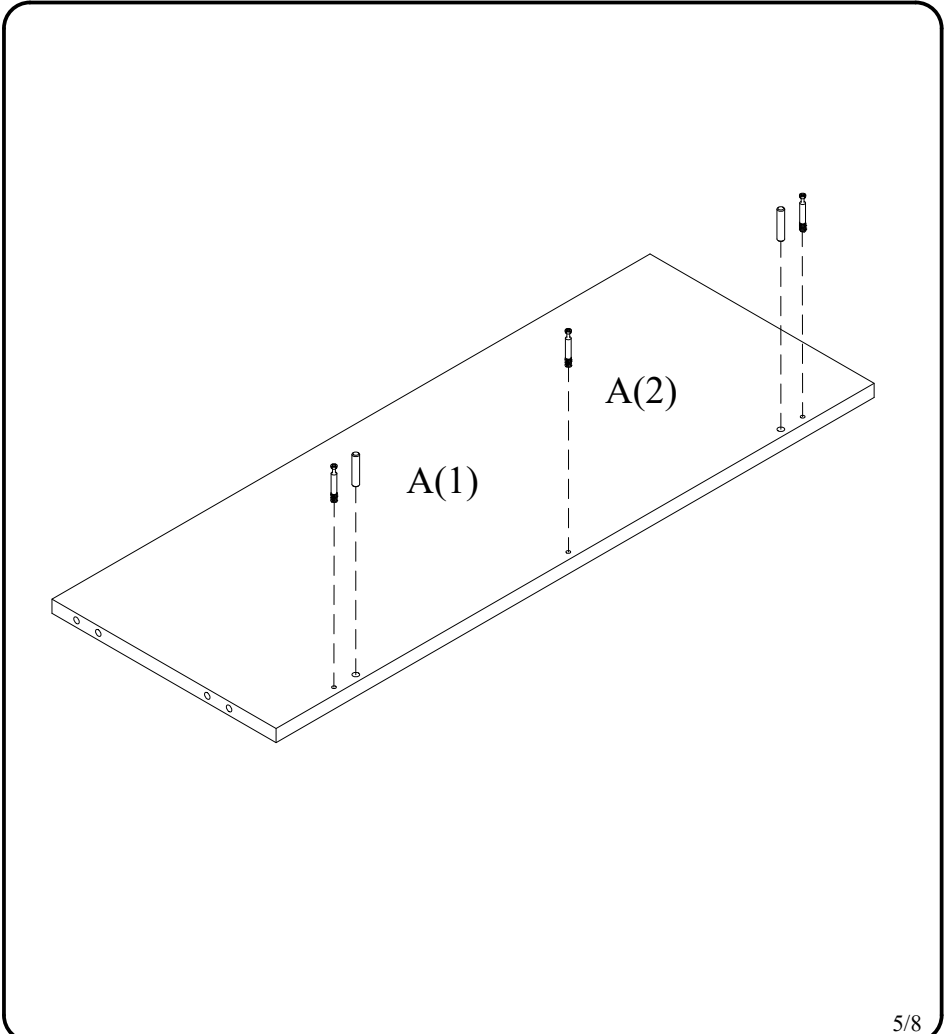
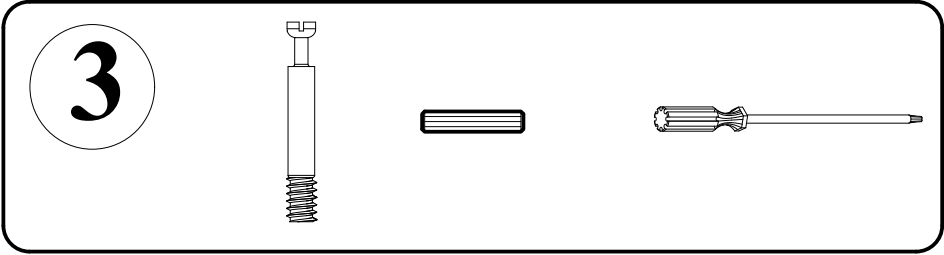


3/8

2

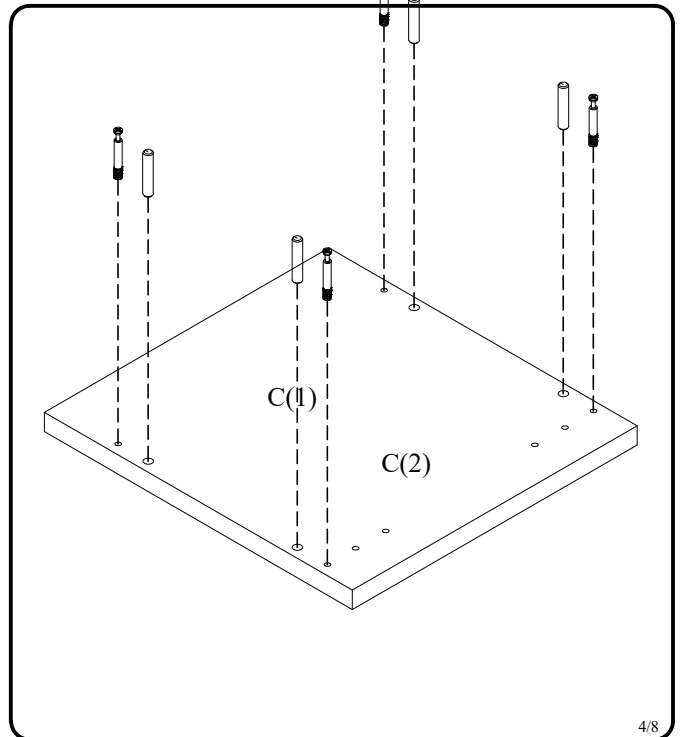
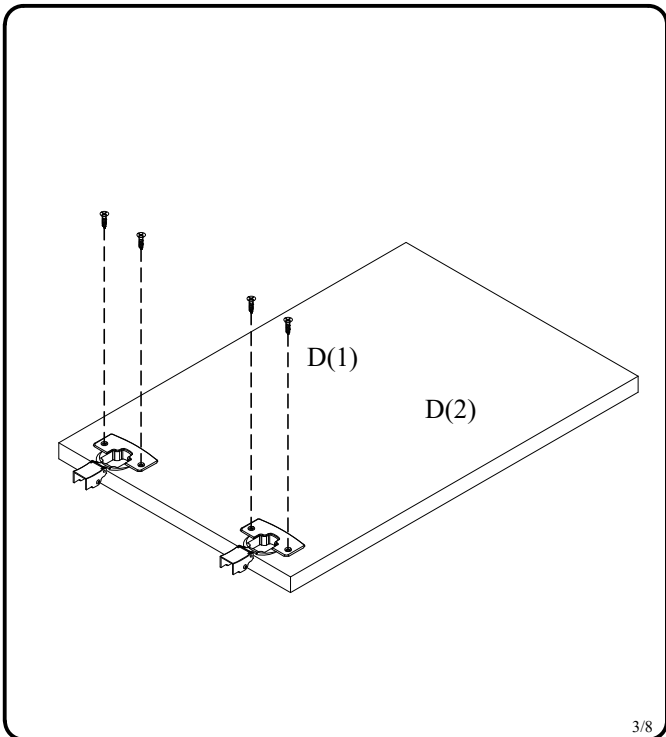
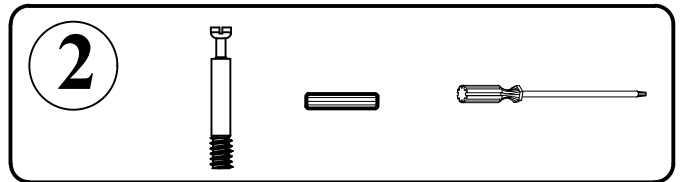
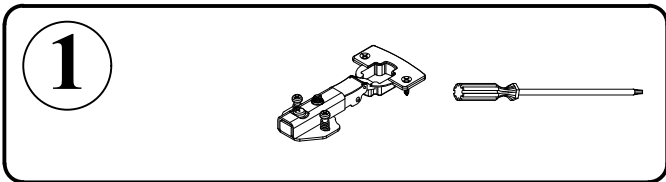
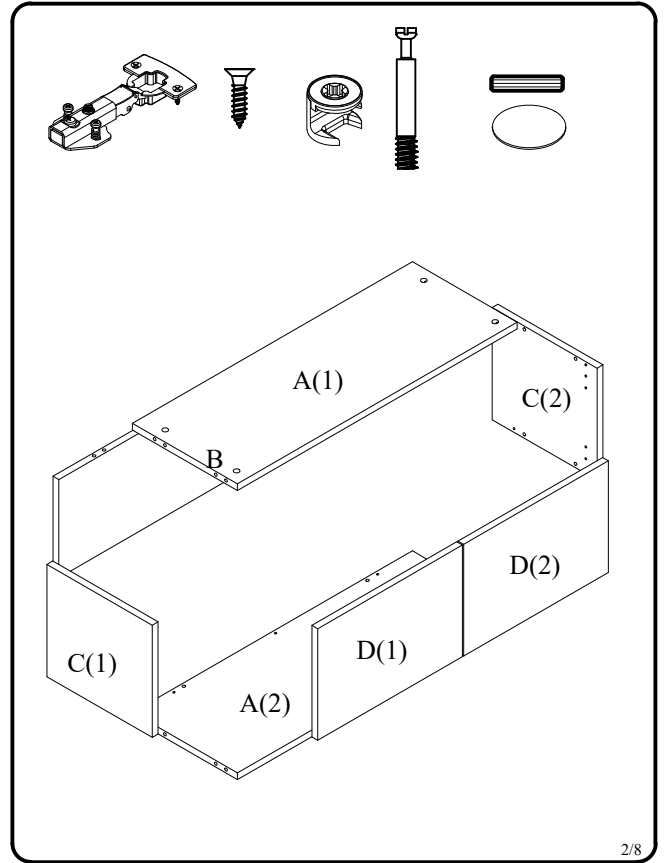
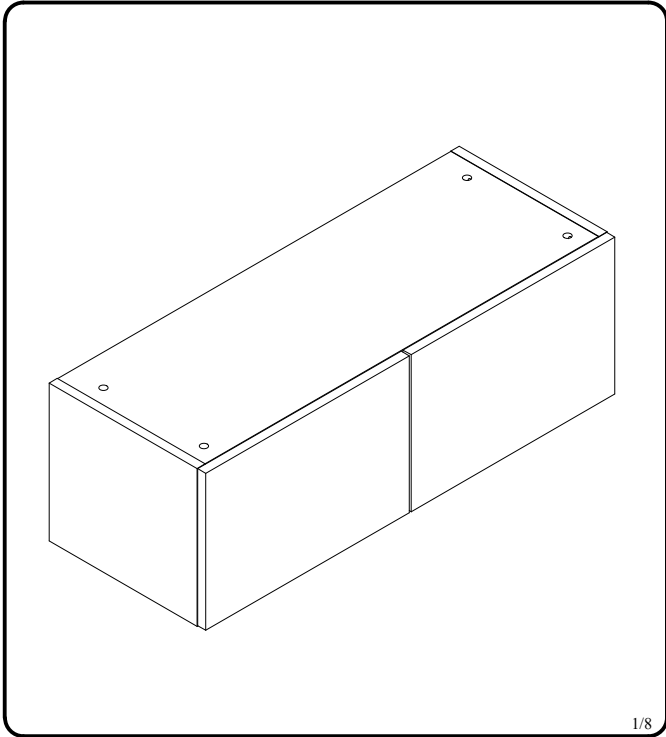


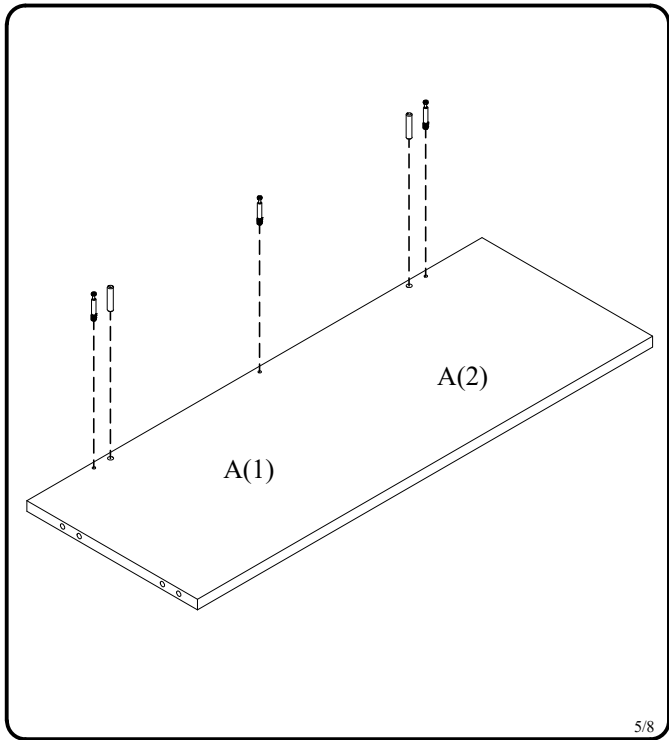
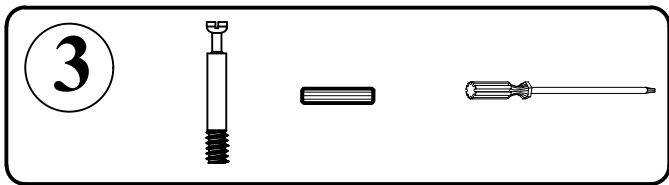
4/8



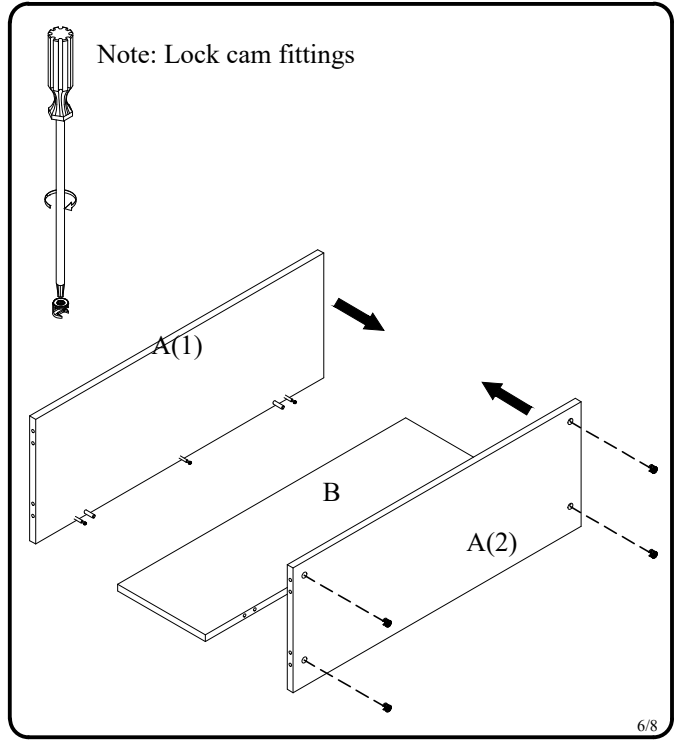
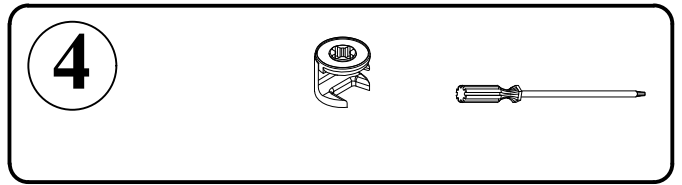
WALL CABINET  
 W27"12"13"  
 W30"12"13"  
 W33"12"13"  
 W36"12"13"

PARTS

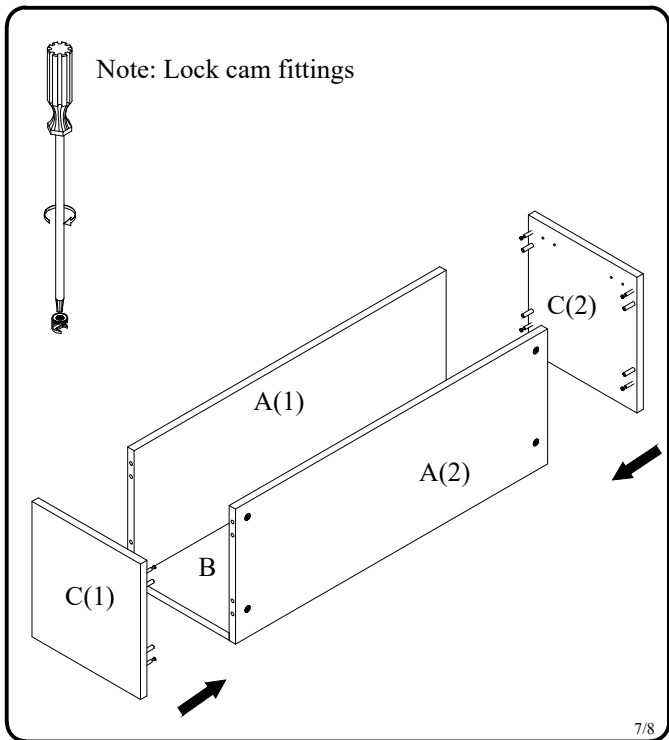
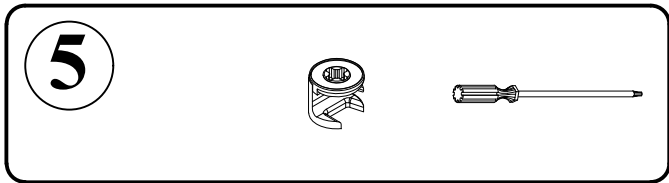




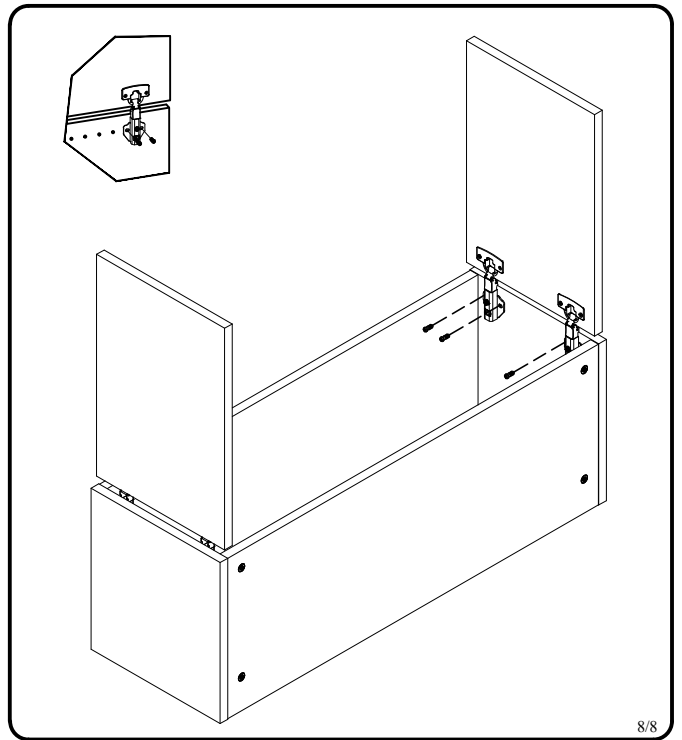
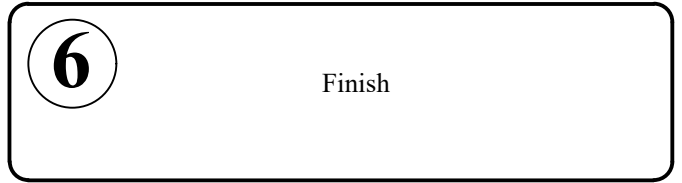
5/8



6/8



7/8



8/8

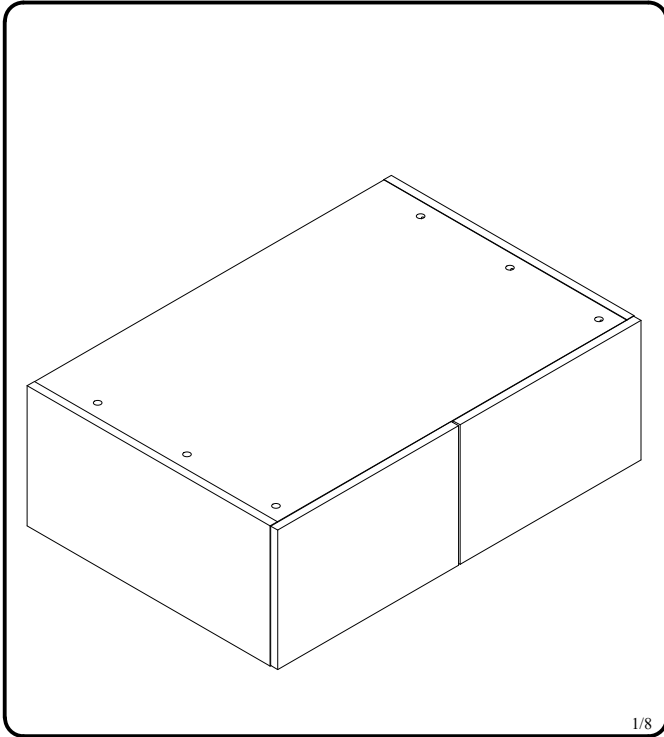
WALL CABINET

W27"12"24"

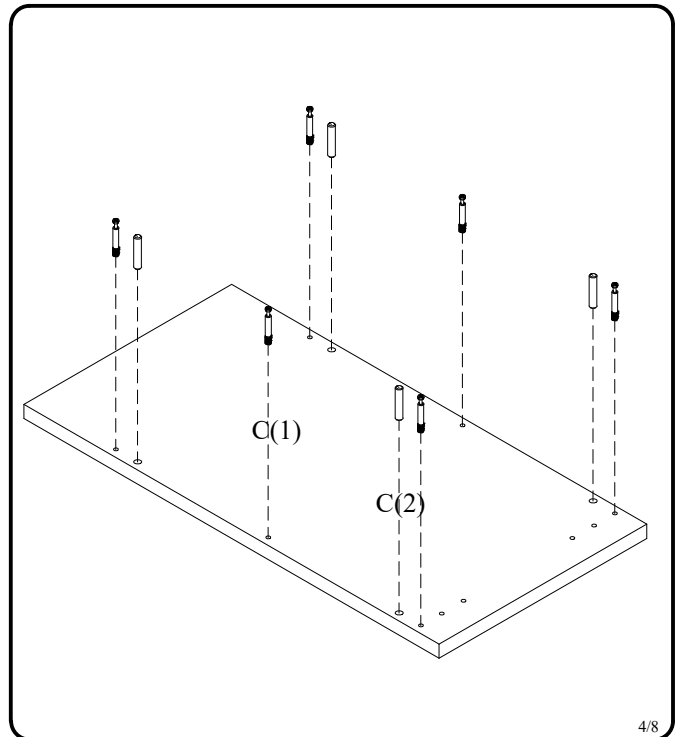
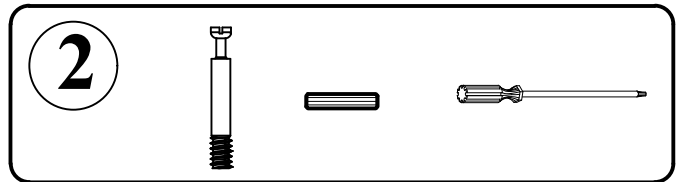
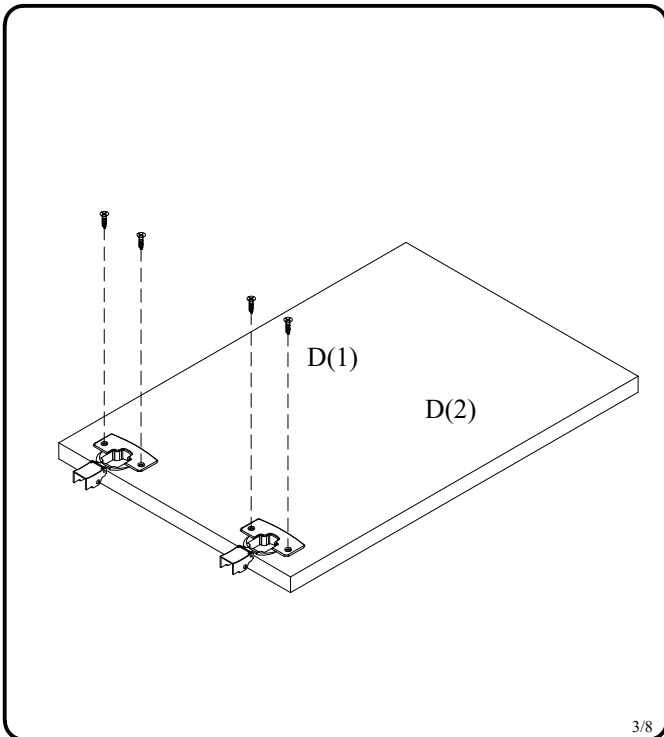
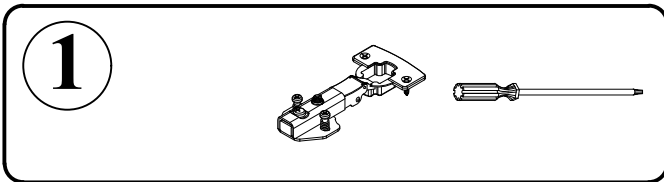
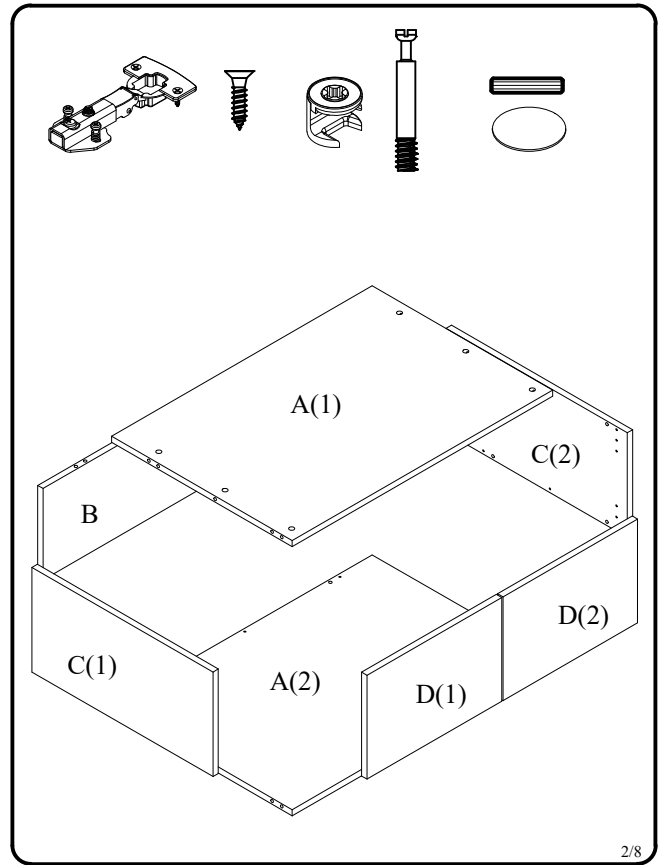
W30"12"24"

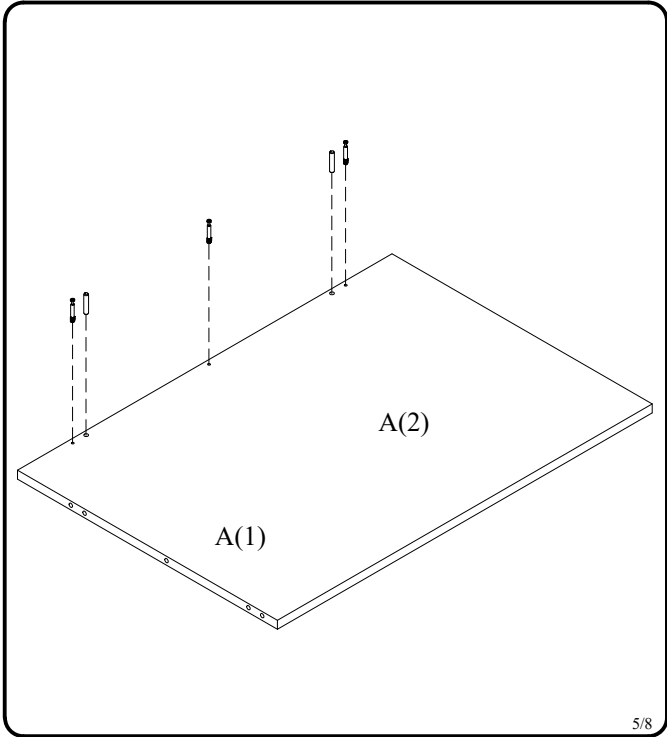
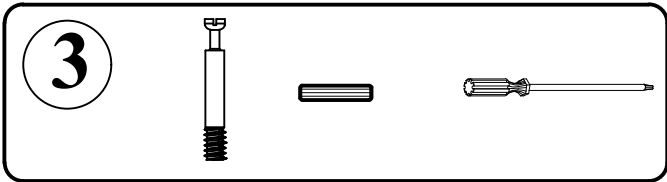
W33"12"24"

W36"12"24"

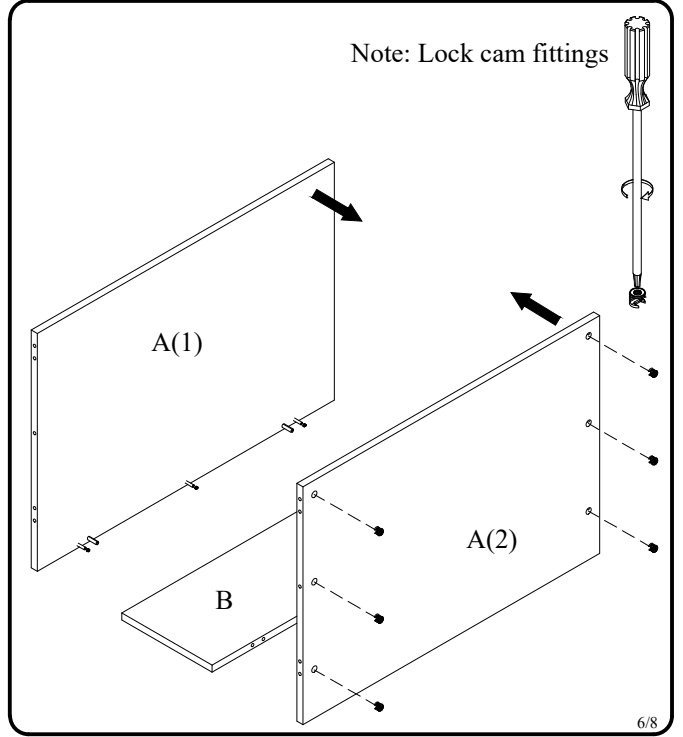
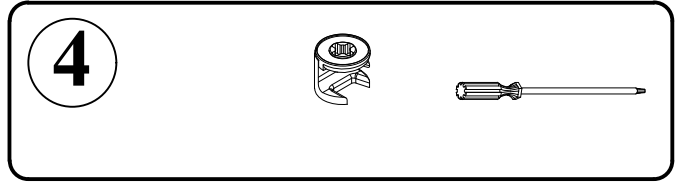


PARTS

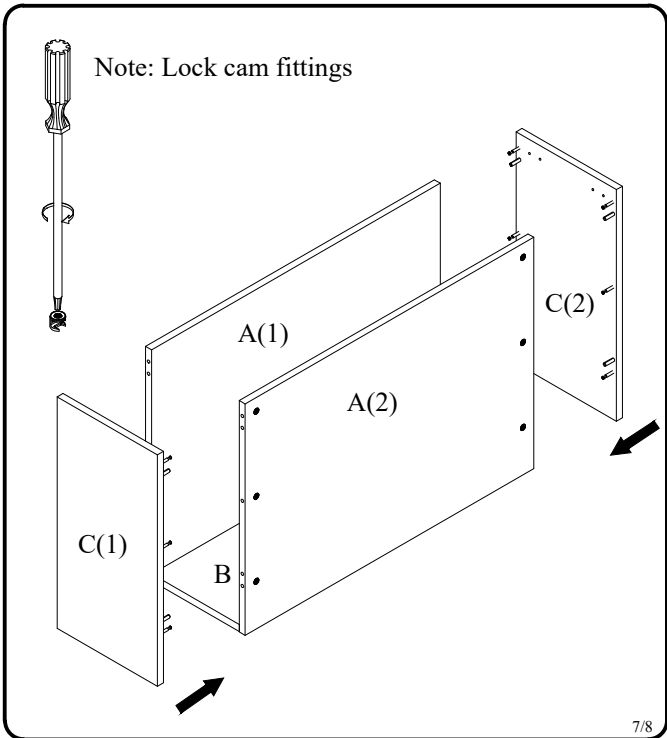
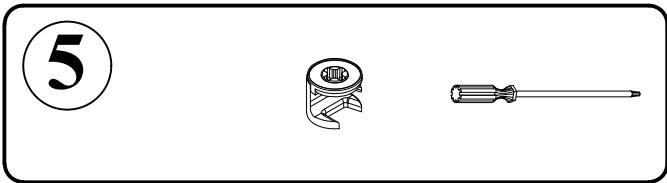




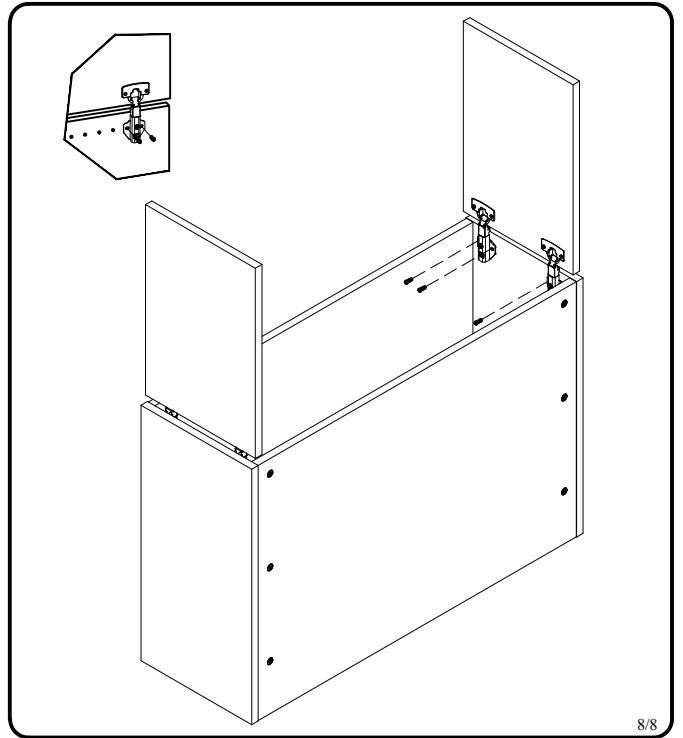
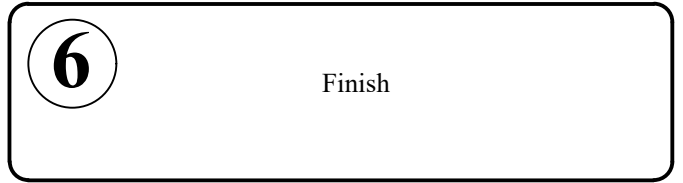
5/8



6/8



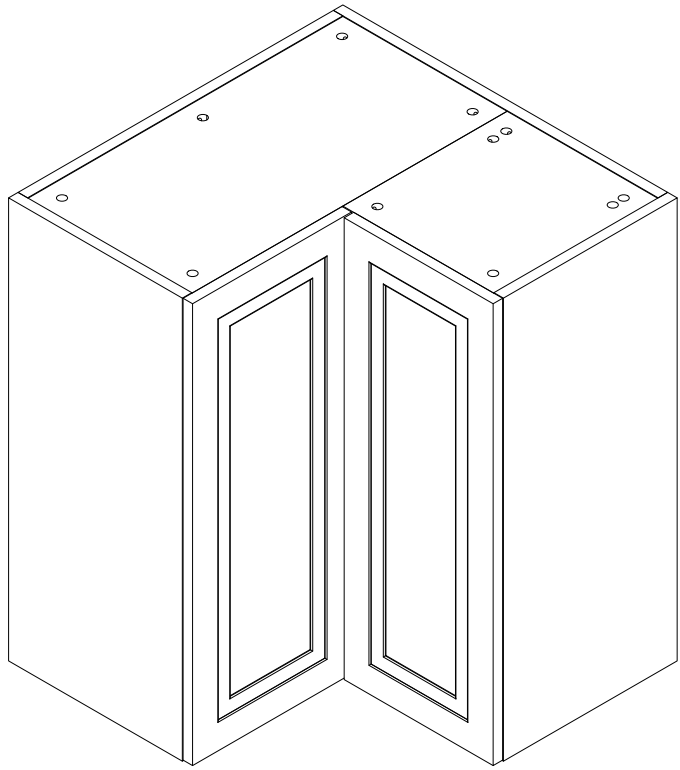
7/8



8/8

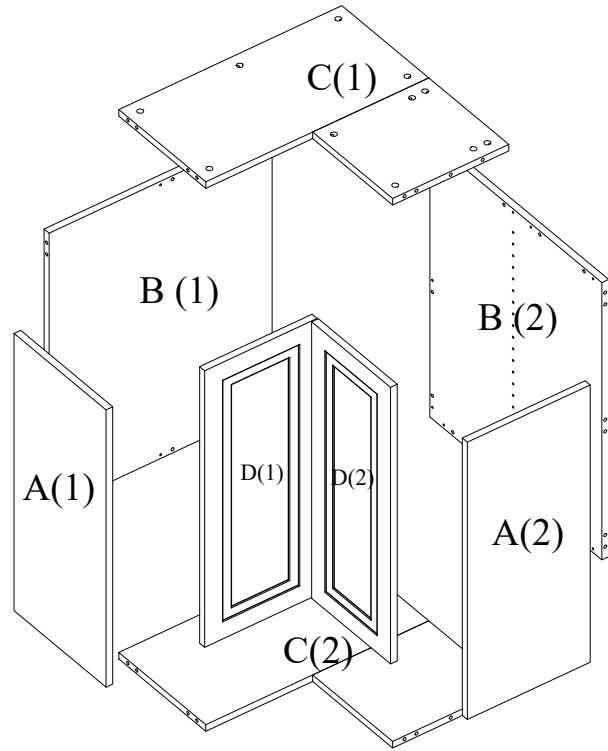
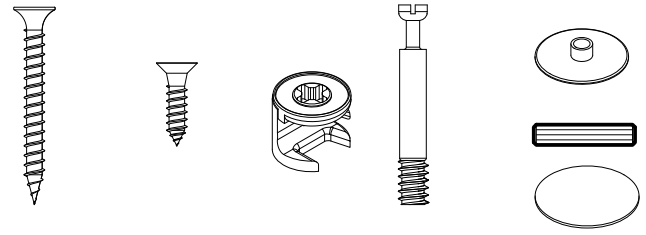


CABINETS - WLC 25"\*30"  
 CABINETS - WLC 25"\*36"  
 CABINETS - WLC 25"\*39"

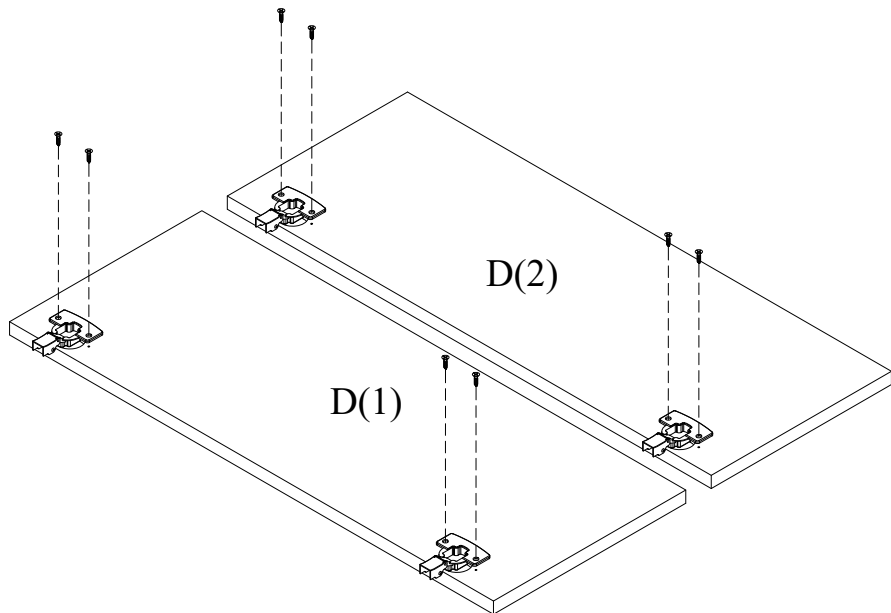
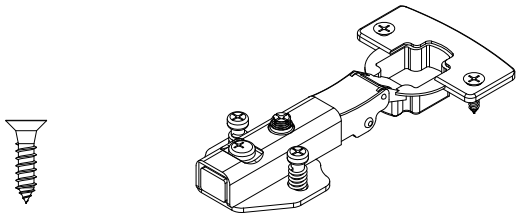


**PARTS**

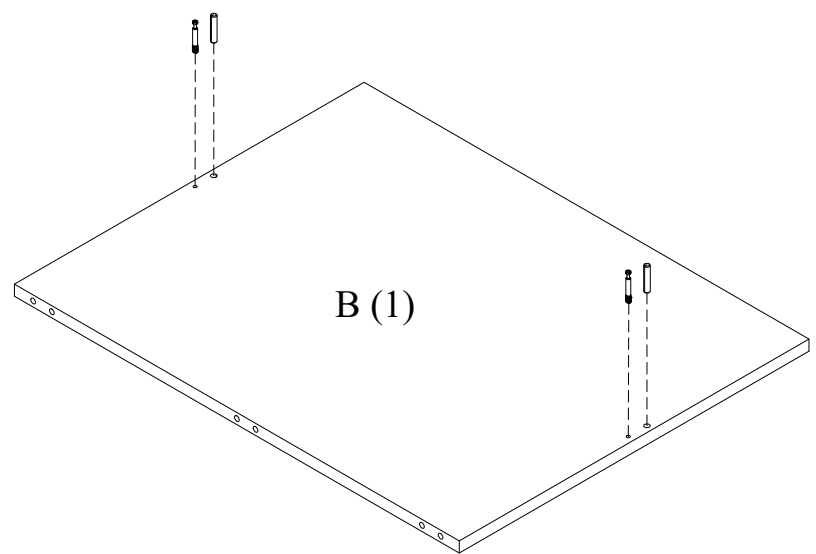
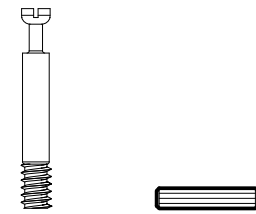
CABINETS - WLC 25"\*30"; CABINETS - WLC 25"\*36"; CABINETS - WLC 25"\*39".

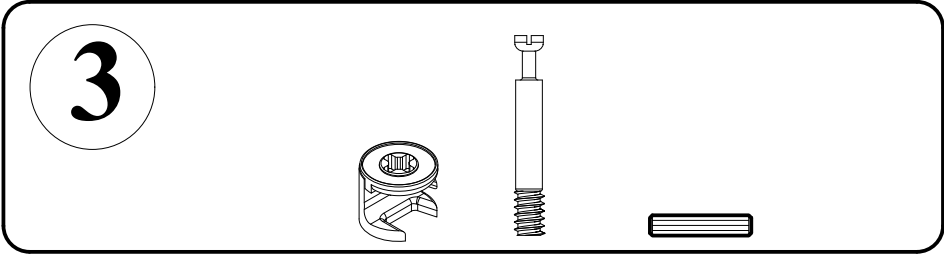


**1**

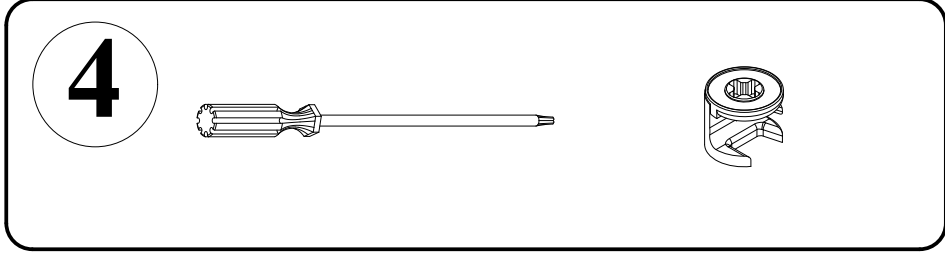
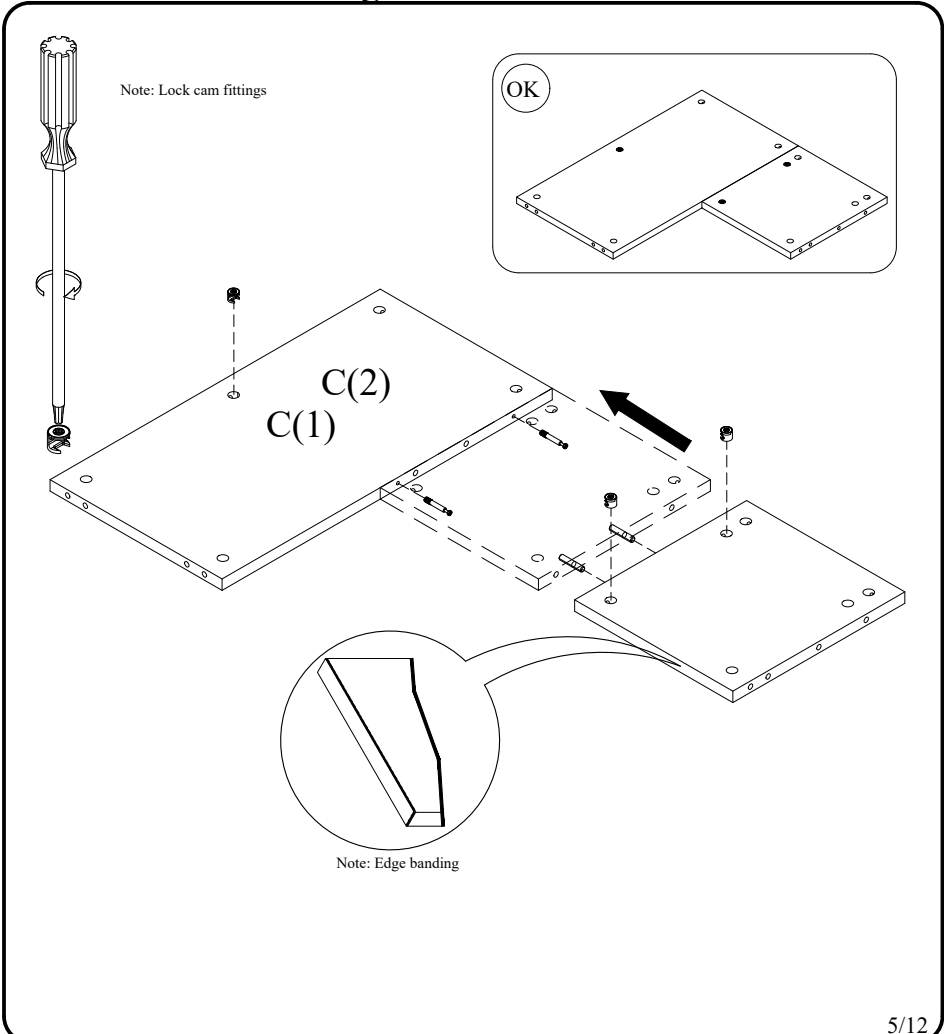


**2**

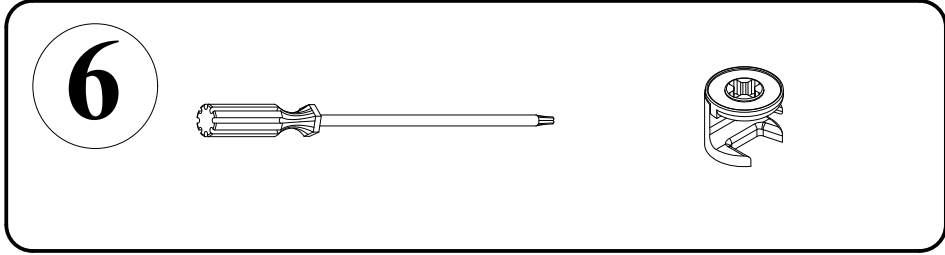
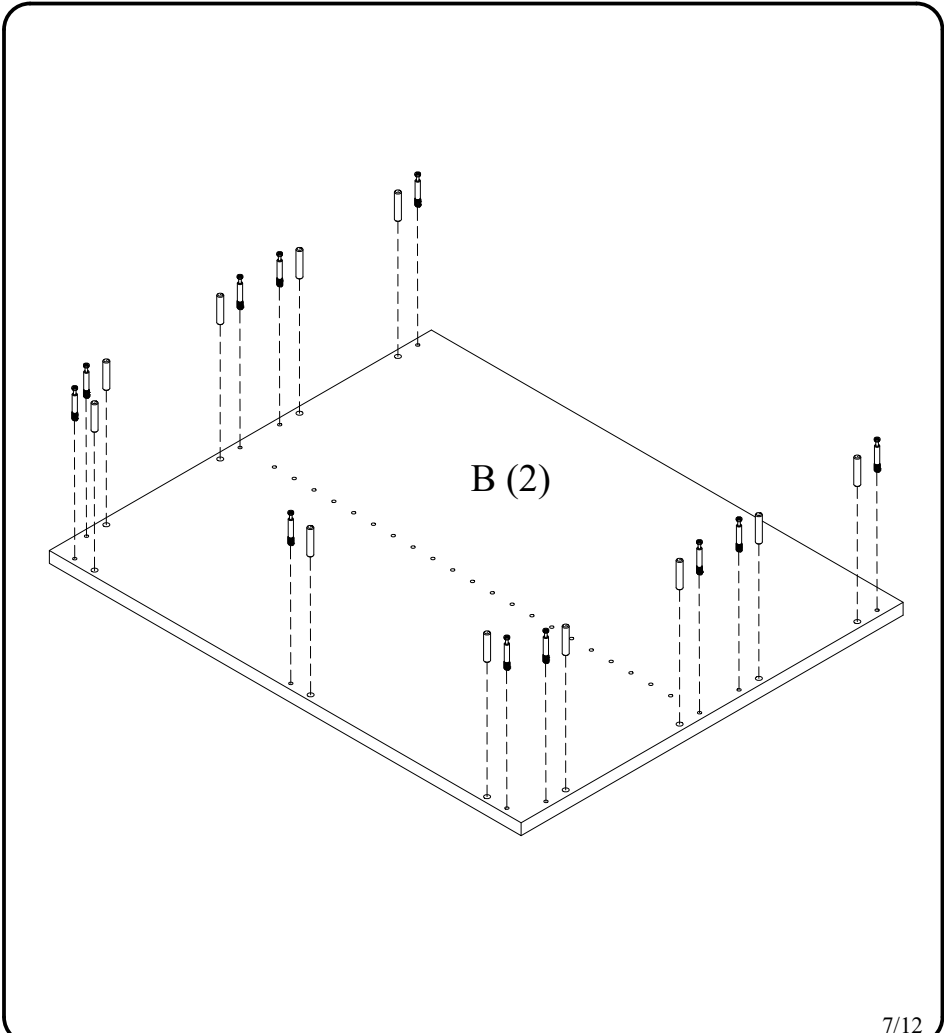
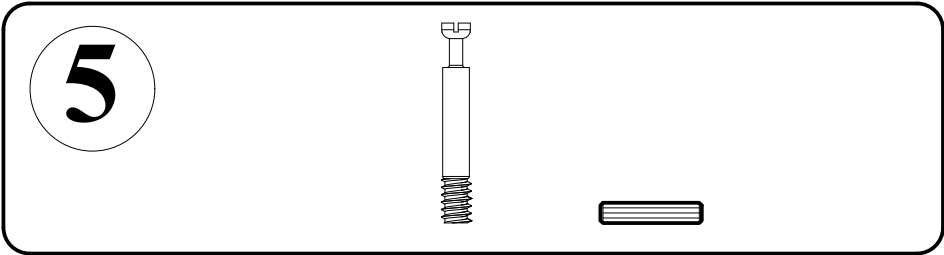
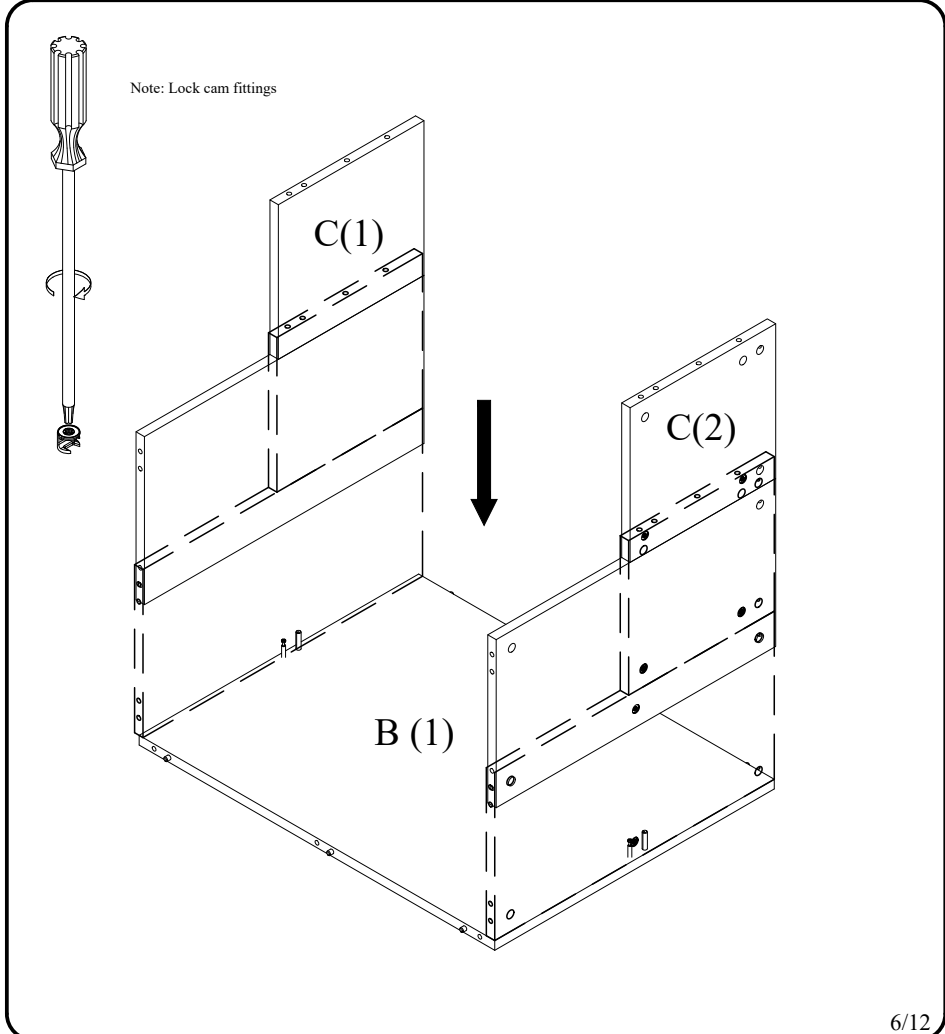




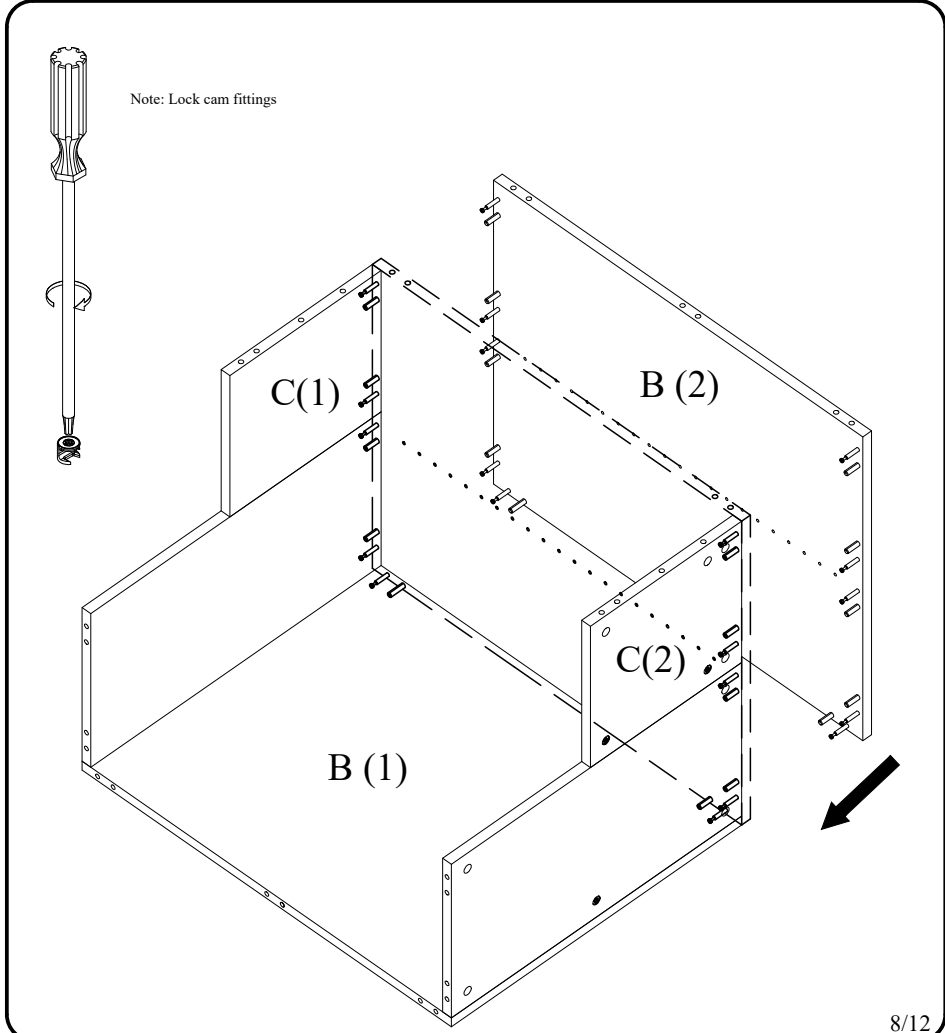
Note: Lock cam fittings

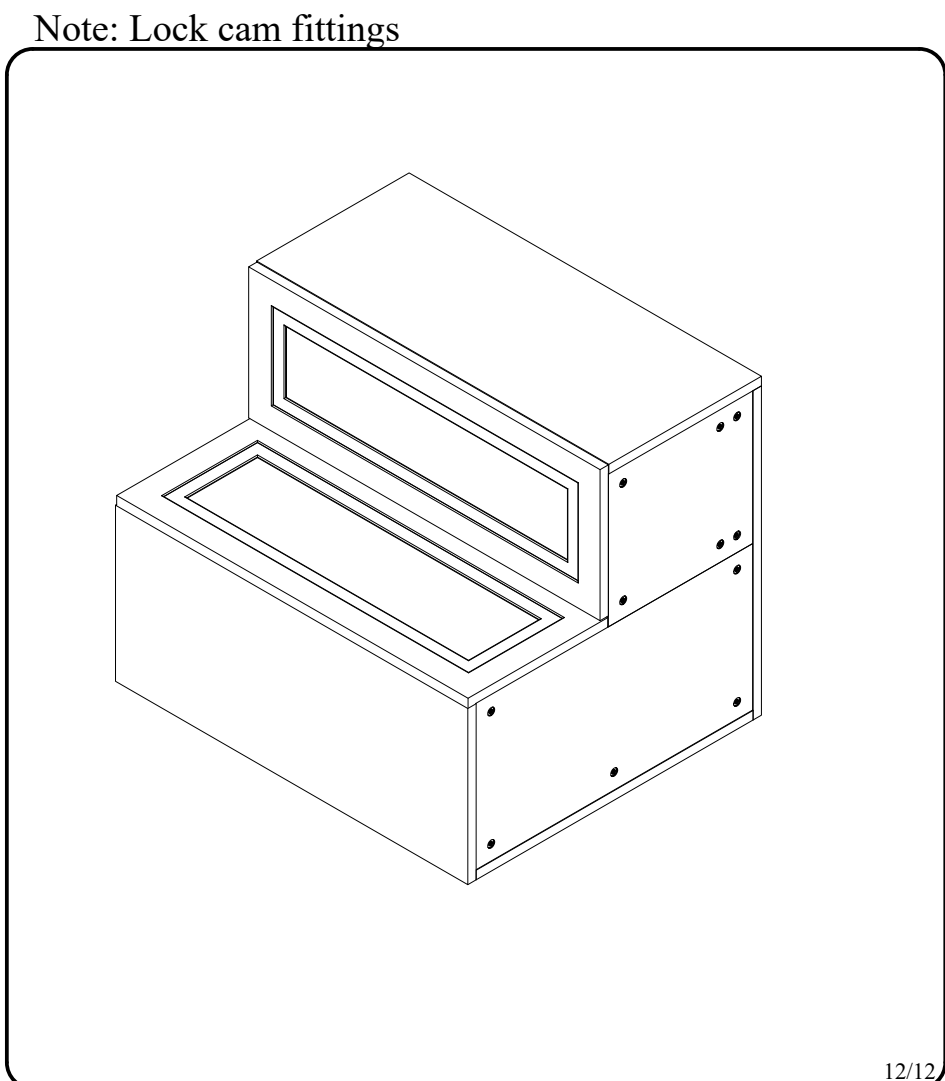
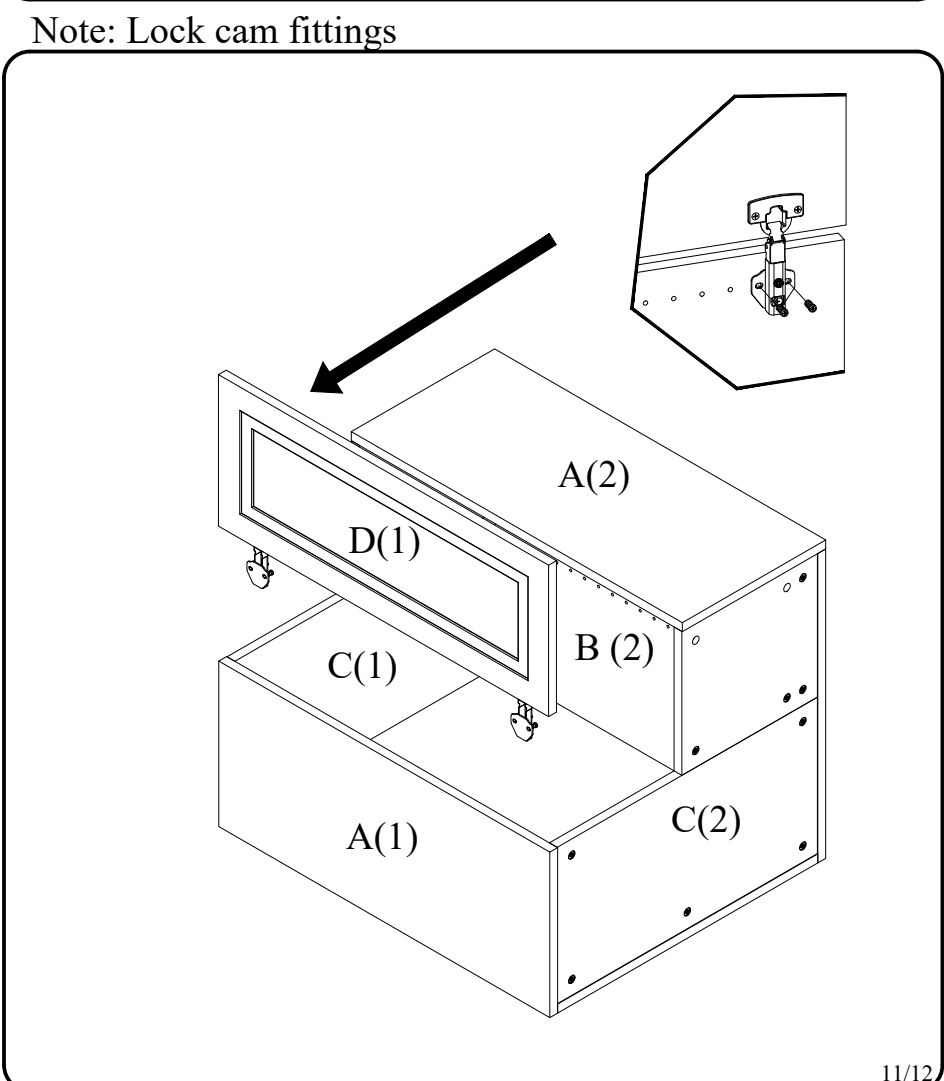
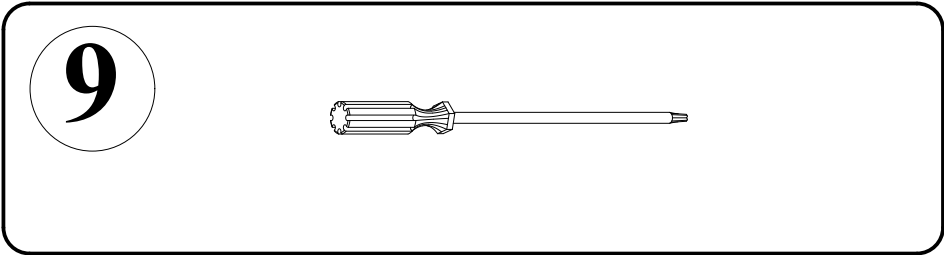
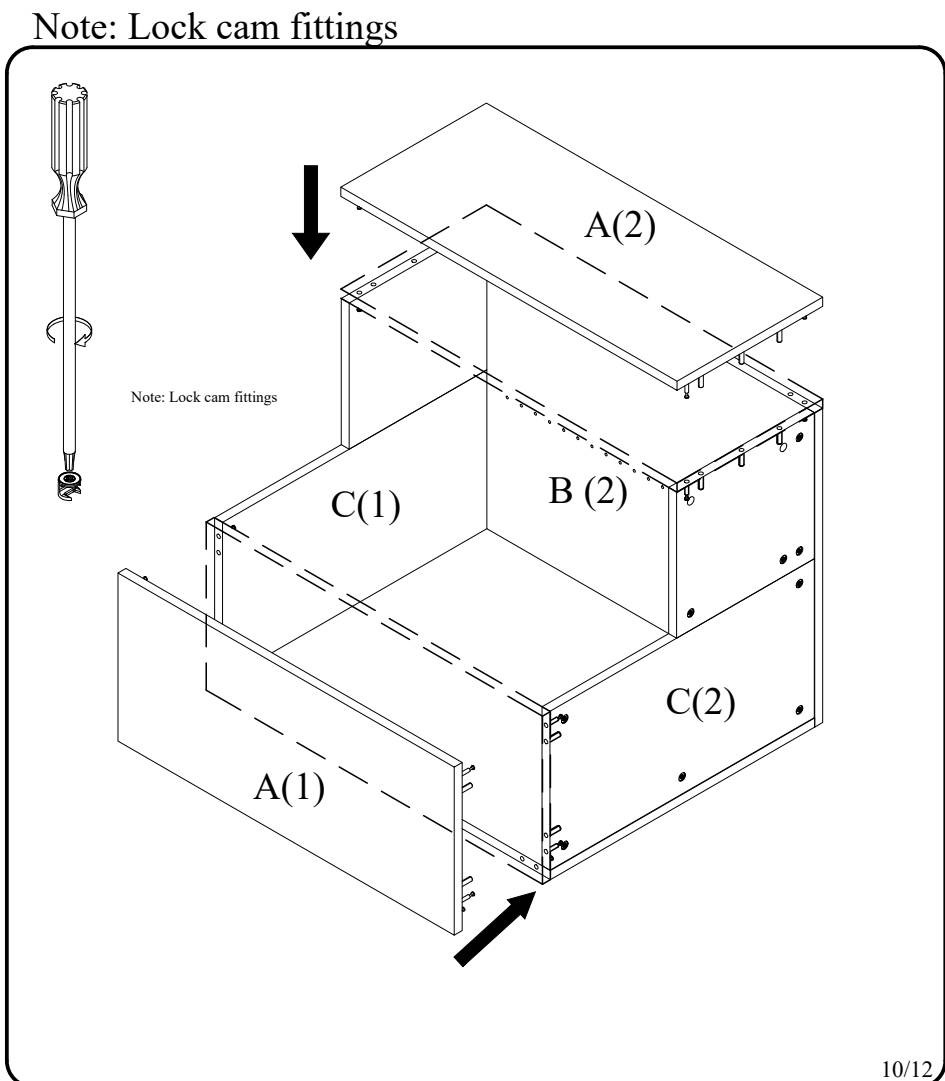
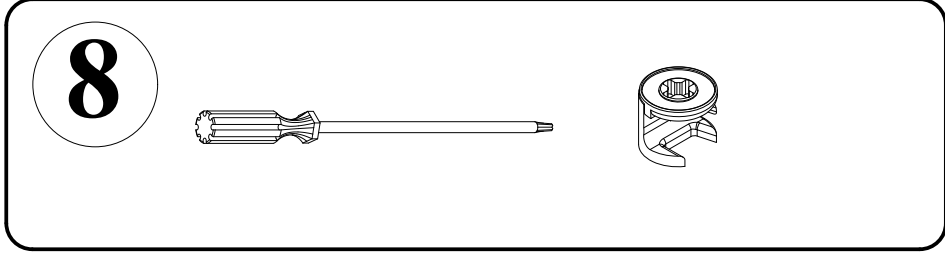
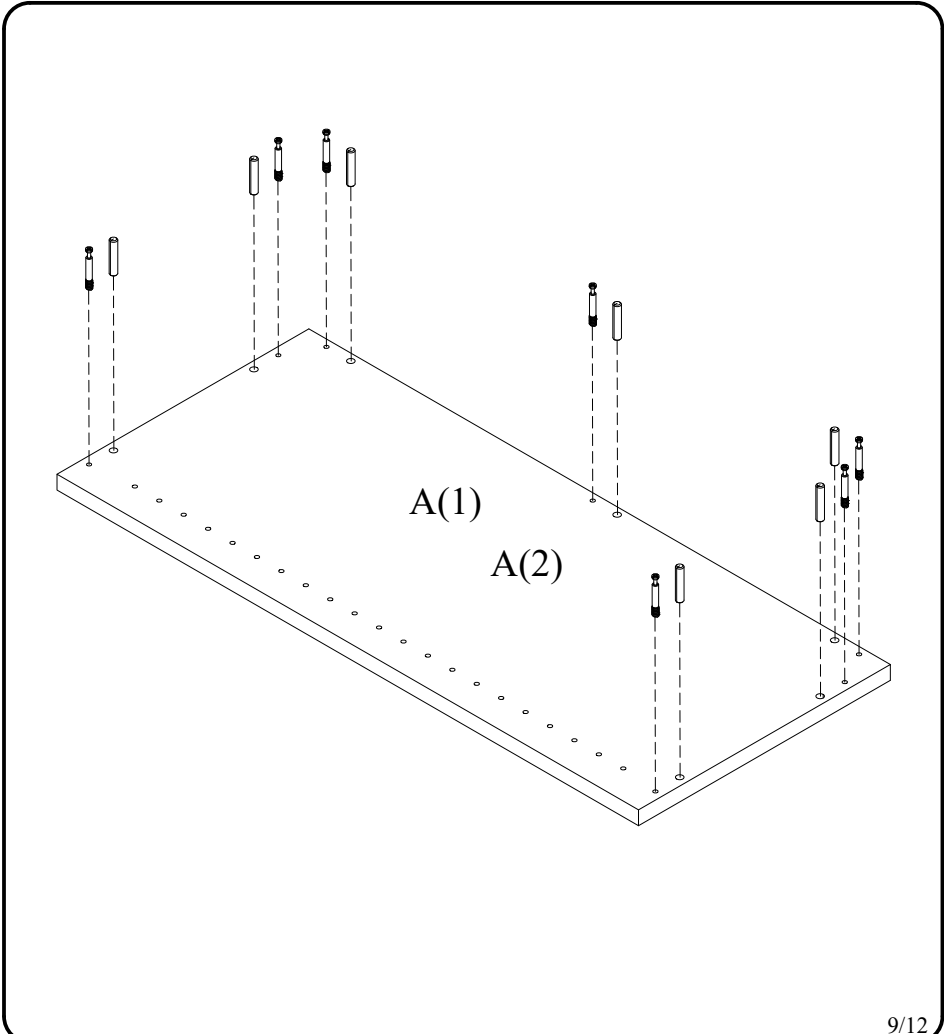
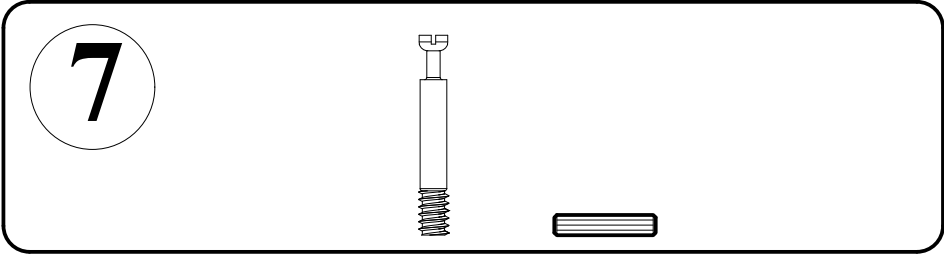


Note: Lock cam fittings

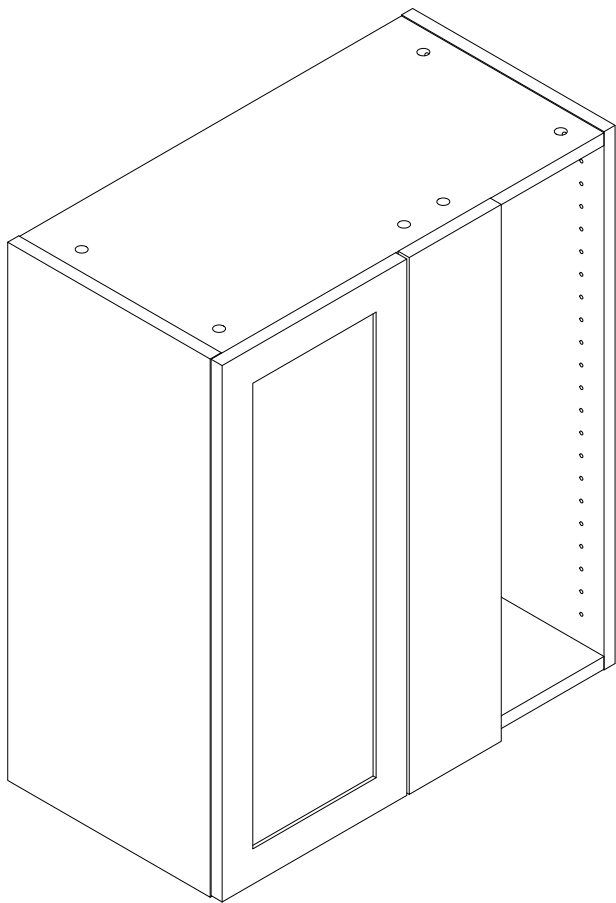


Note: Lock cam fittings



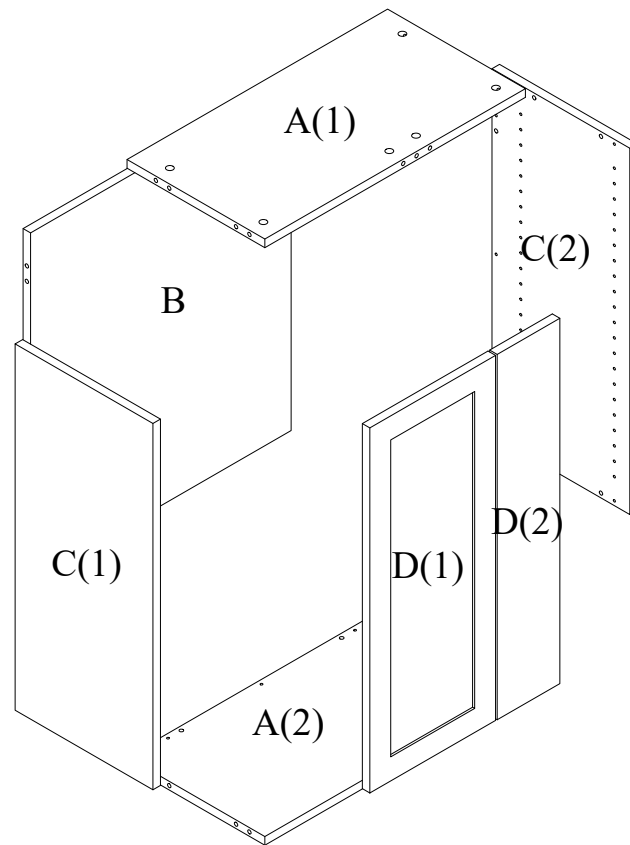
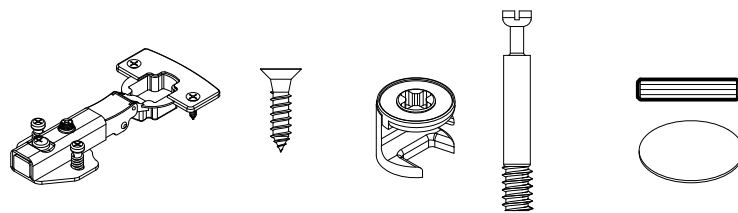


WALL CABINET  
WBC26"30"13"  
WBC26"36"13"  
WBC26"39"13"



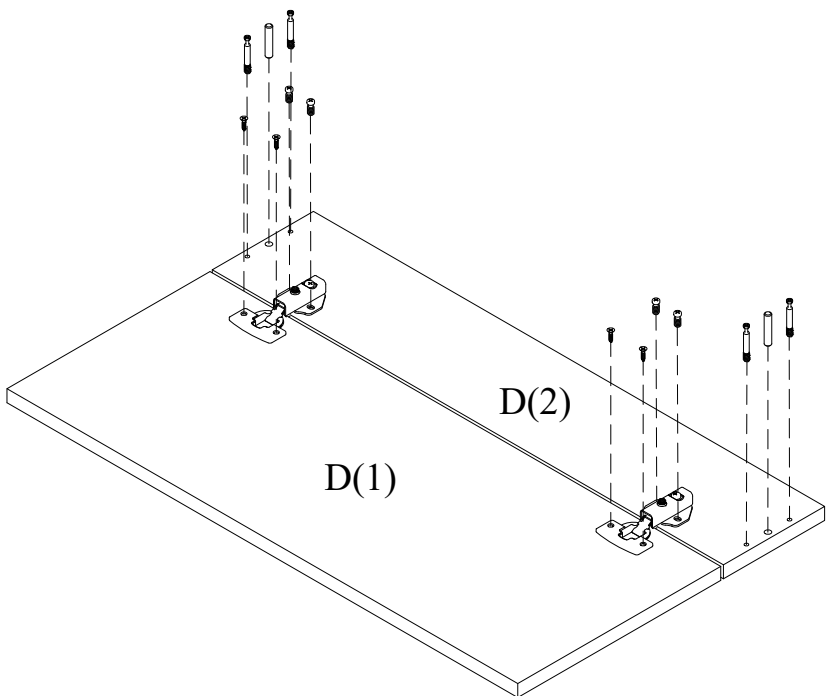
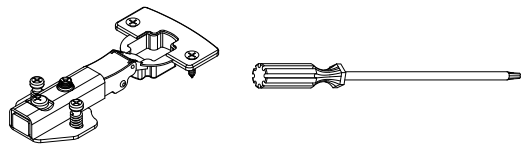
1/8

PARTS



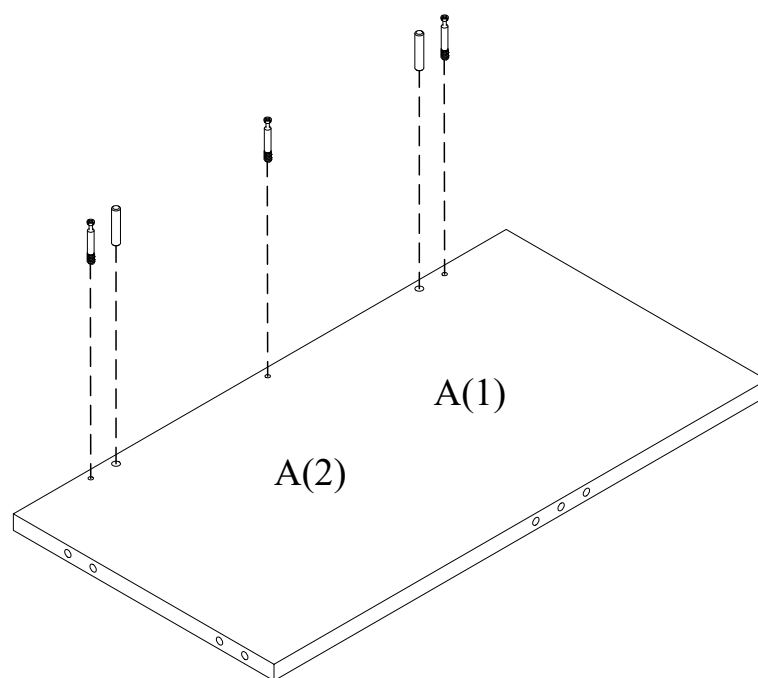
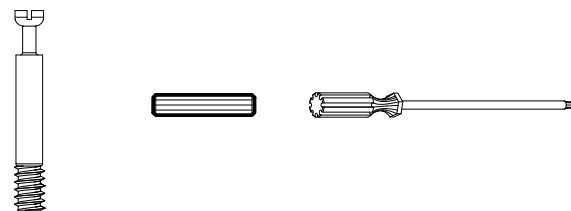
2/8

1

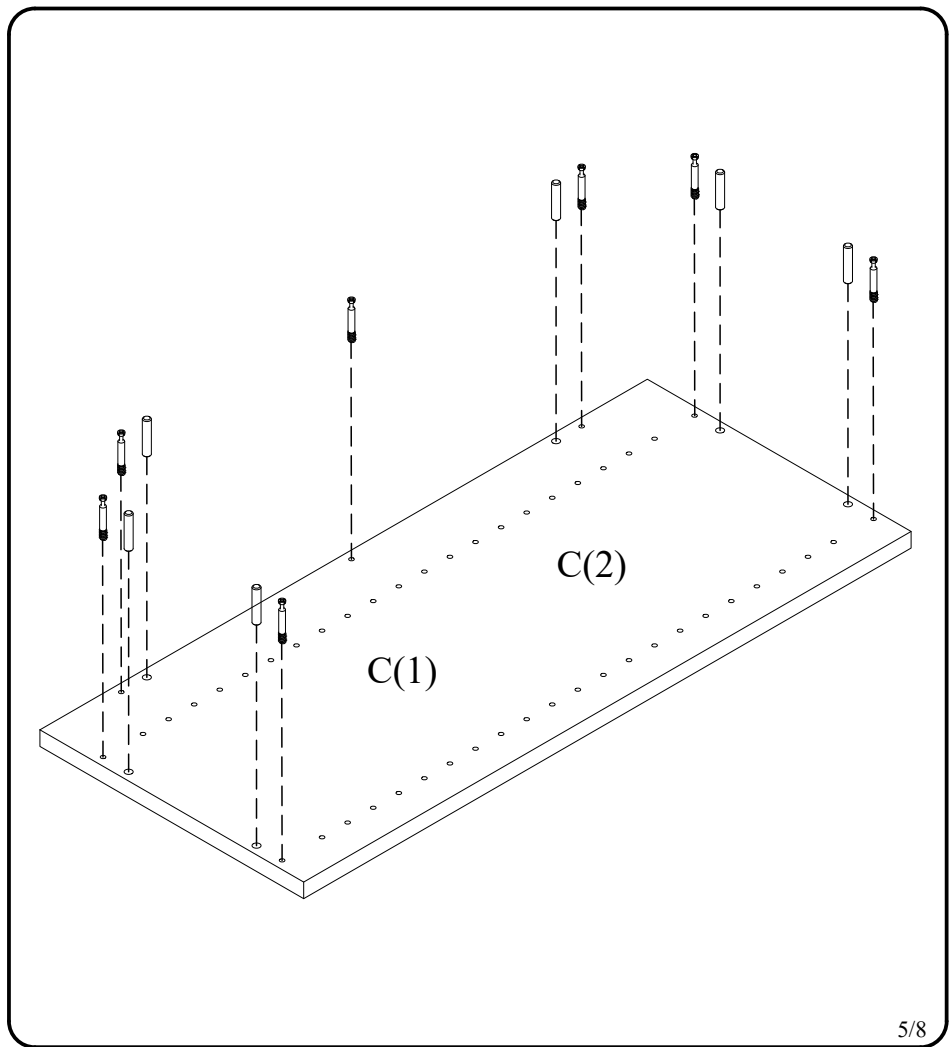
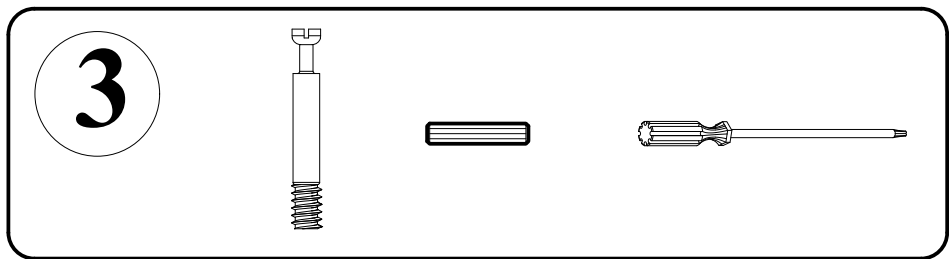


3/8

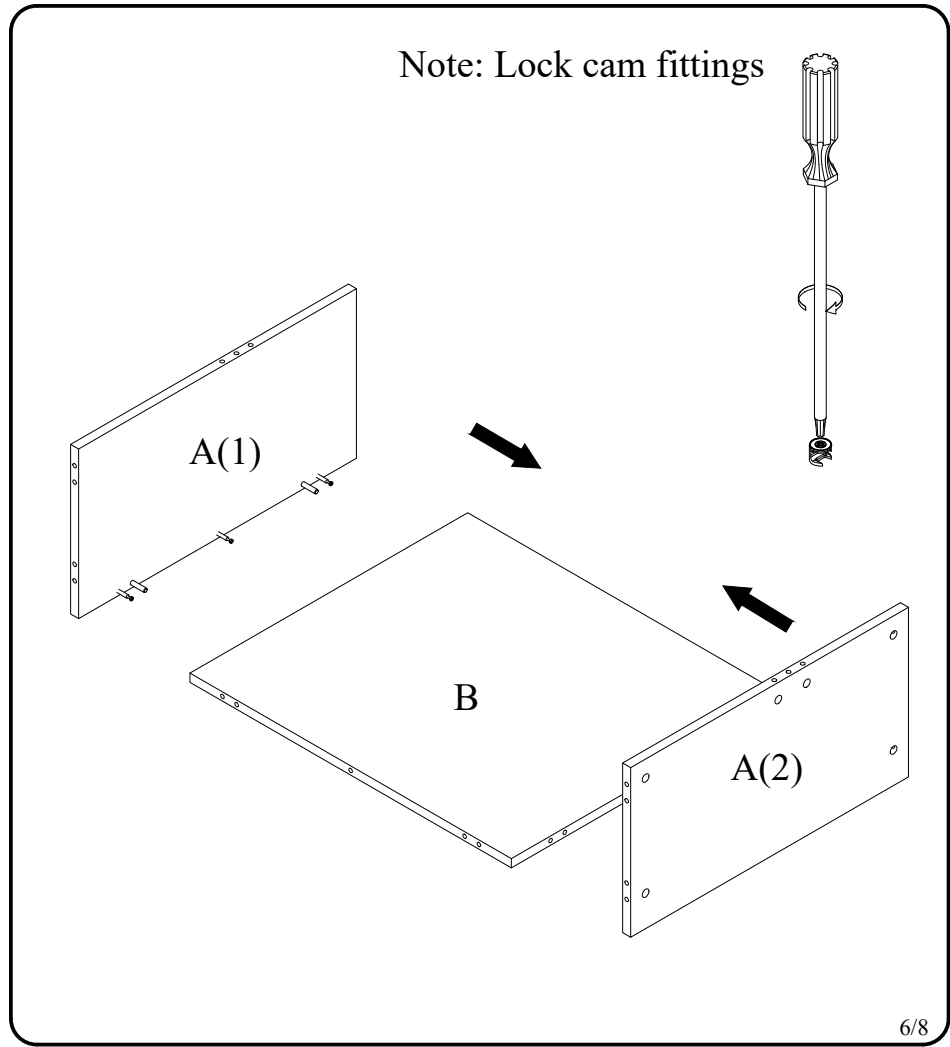
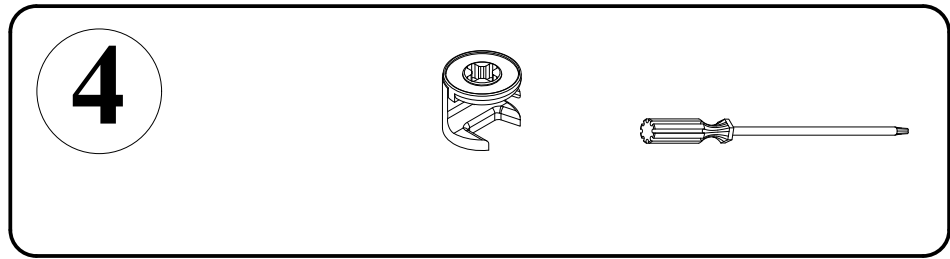
2



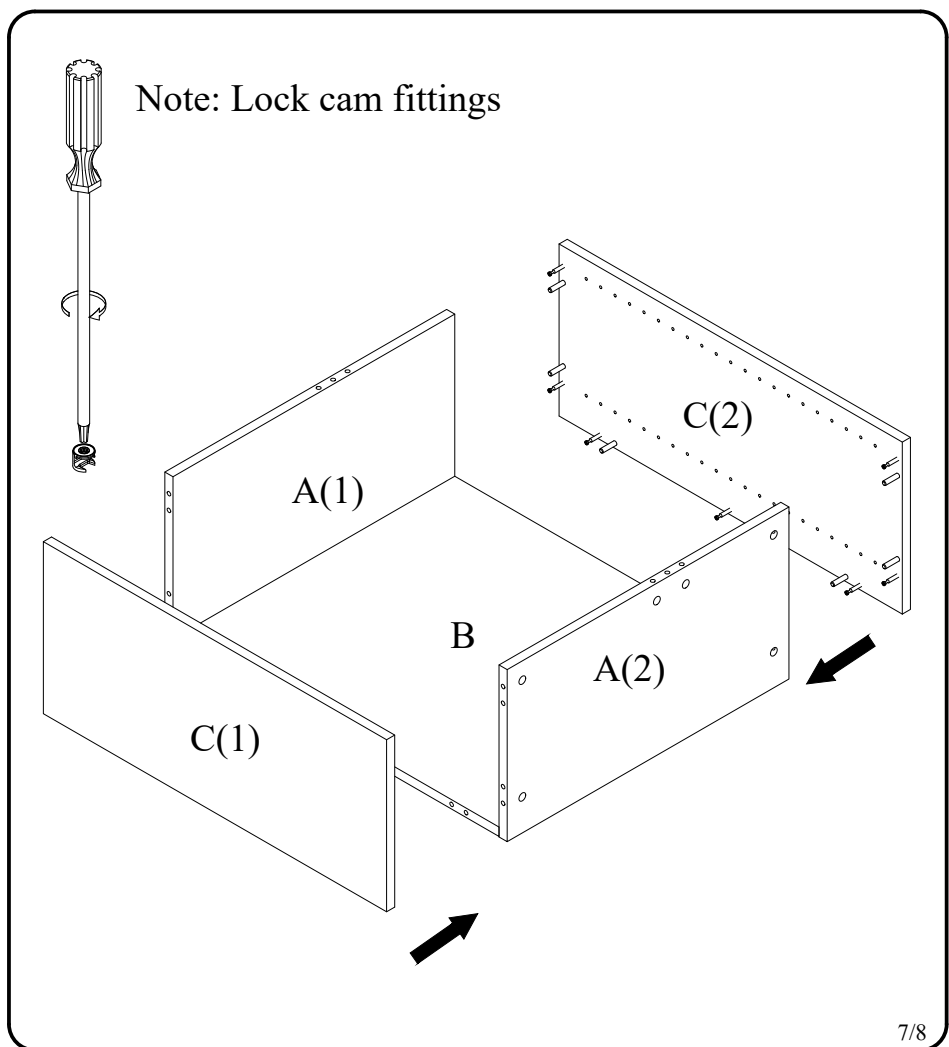
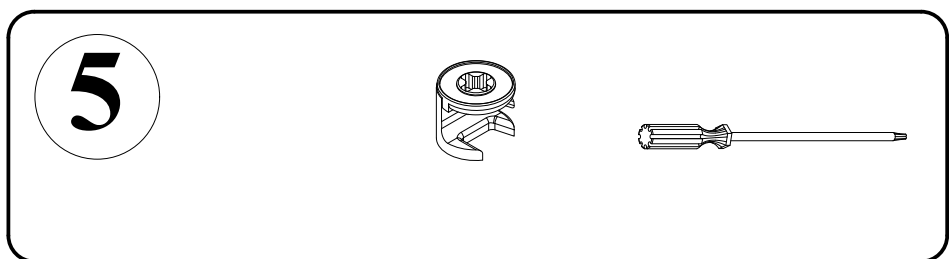
4/8



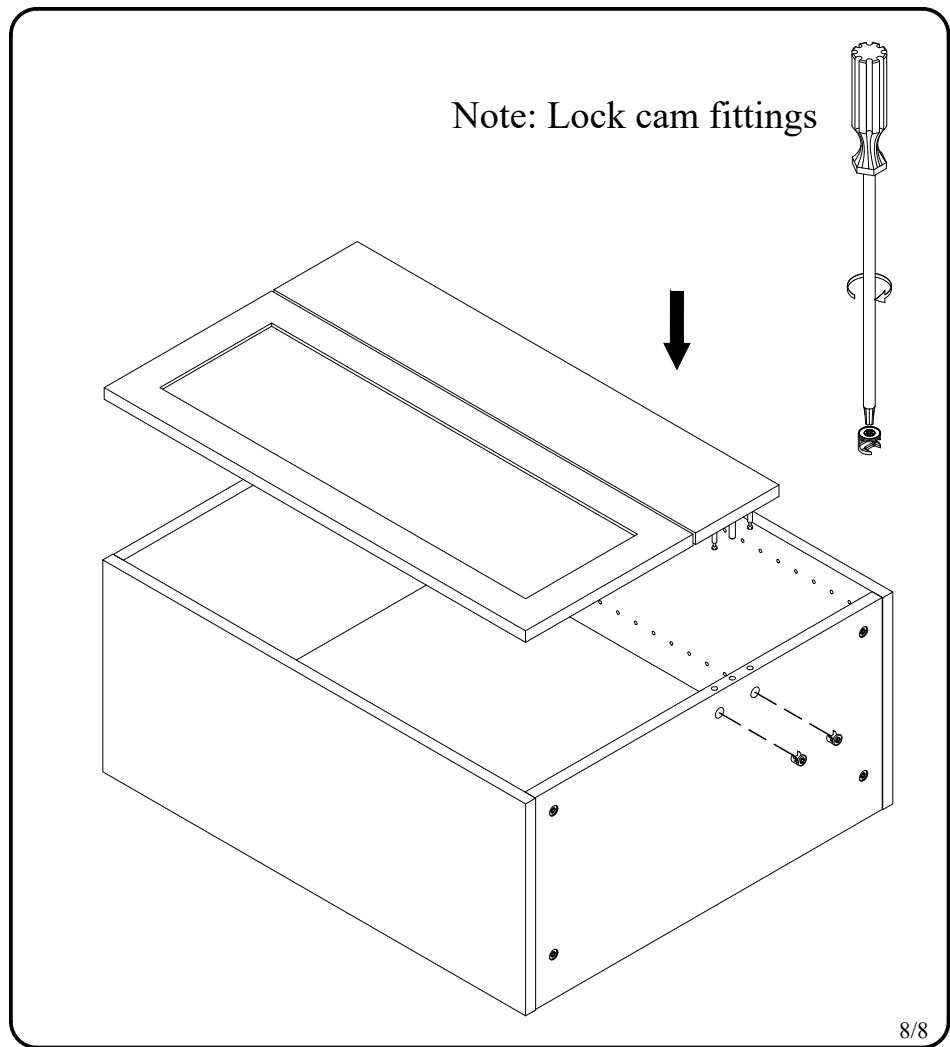
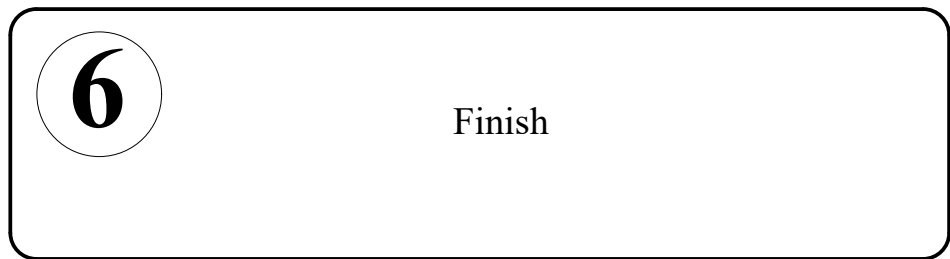
5/8



6/8



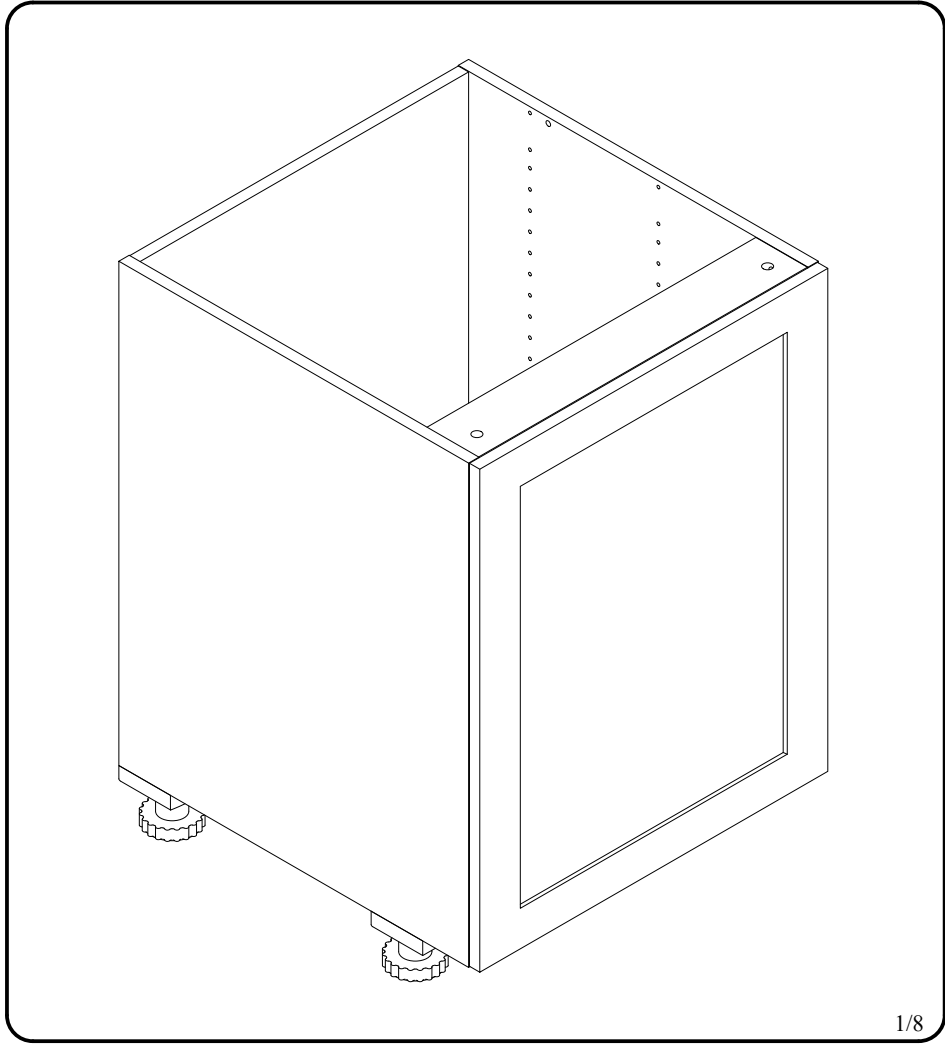
7/8



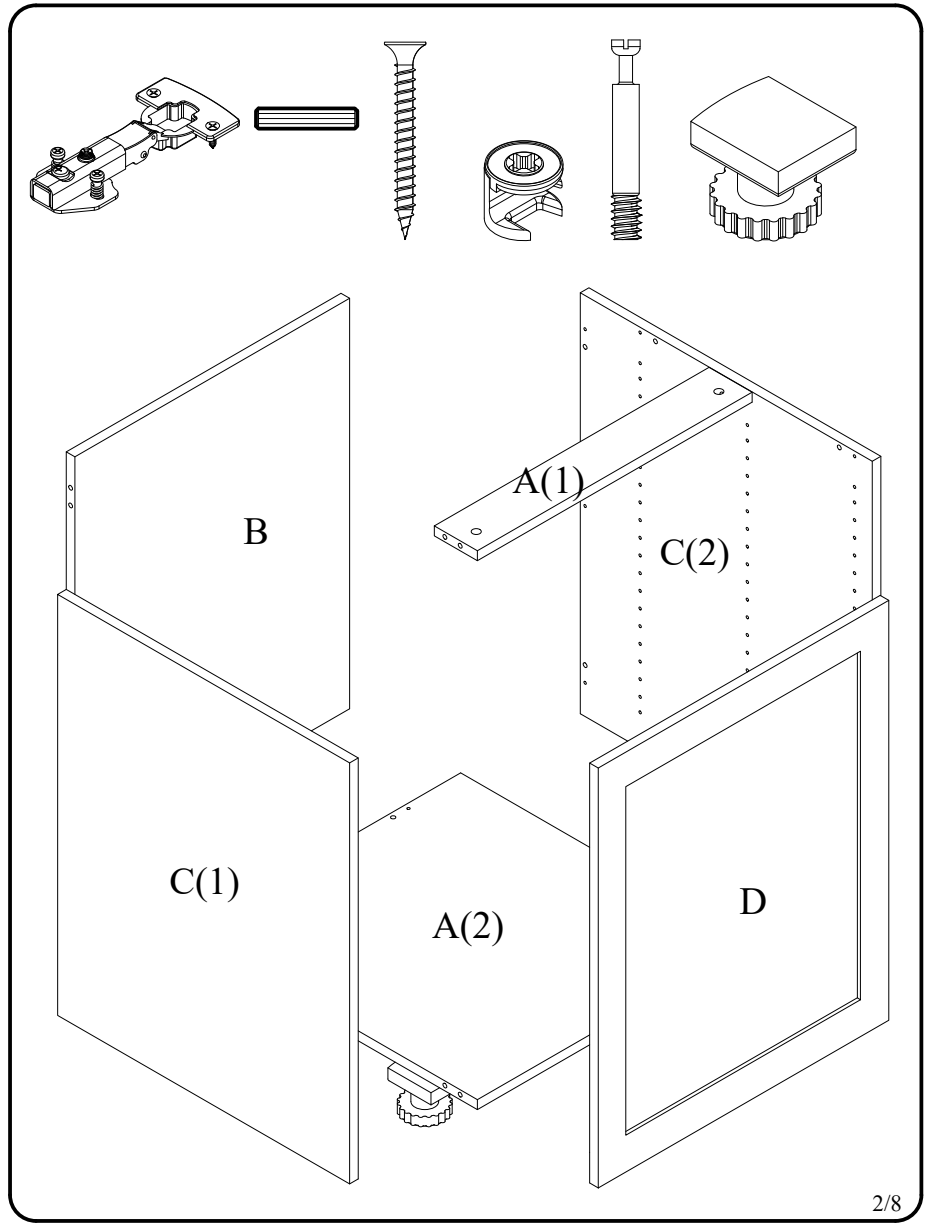
8/8

**BASE CABINET**

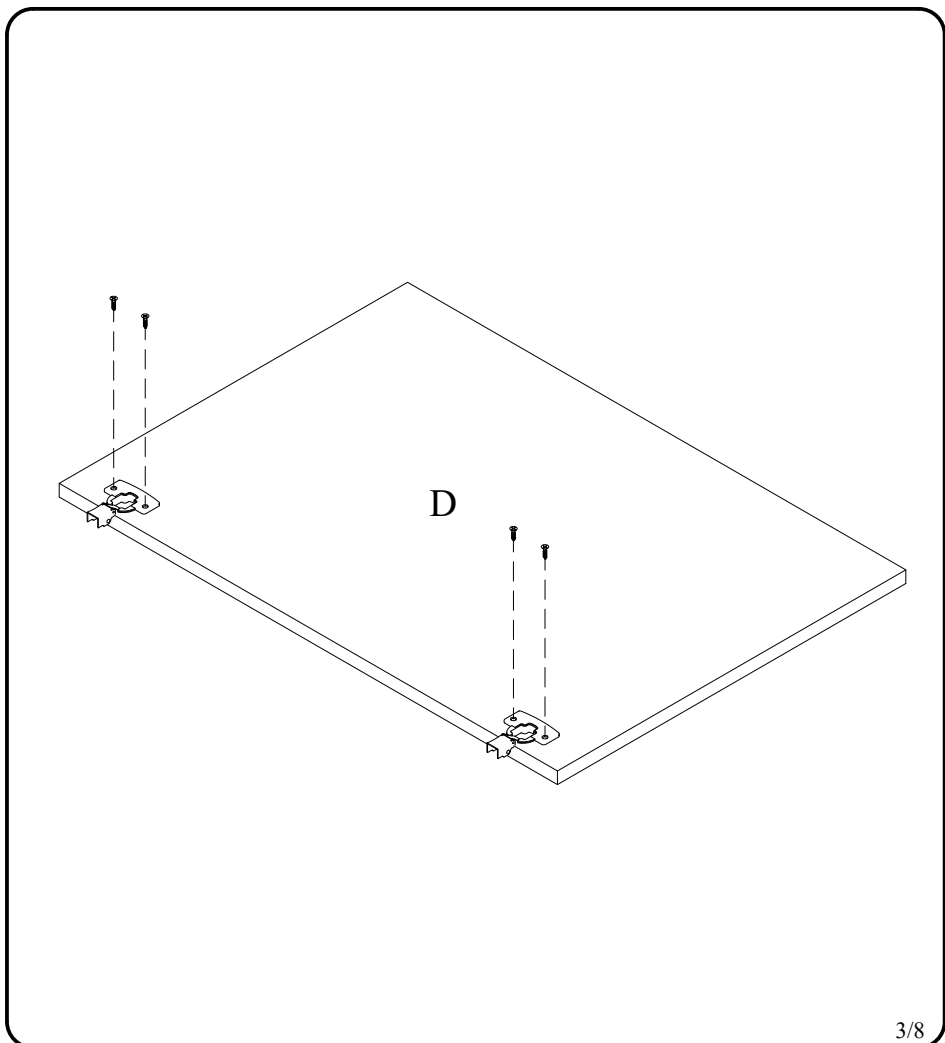
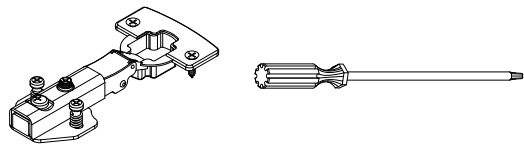
- B9"34 1/2"24"
- B12"34 1/2"24"
- B15"34 1/2"24"
- B18"34 1/2"24"
- B21"34 1/2"24"
- B24"34 1/2"24"



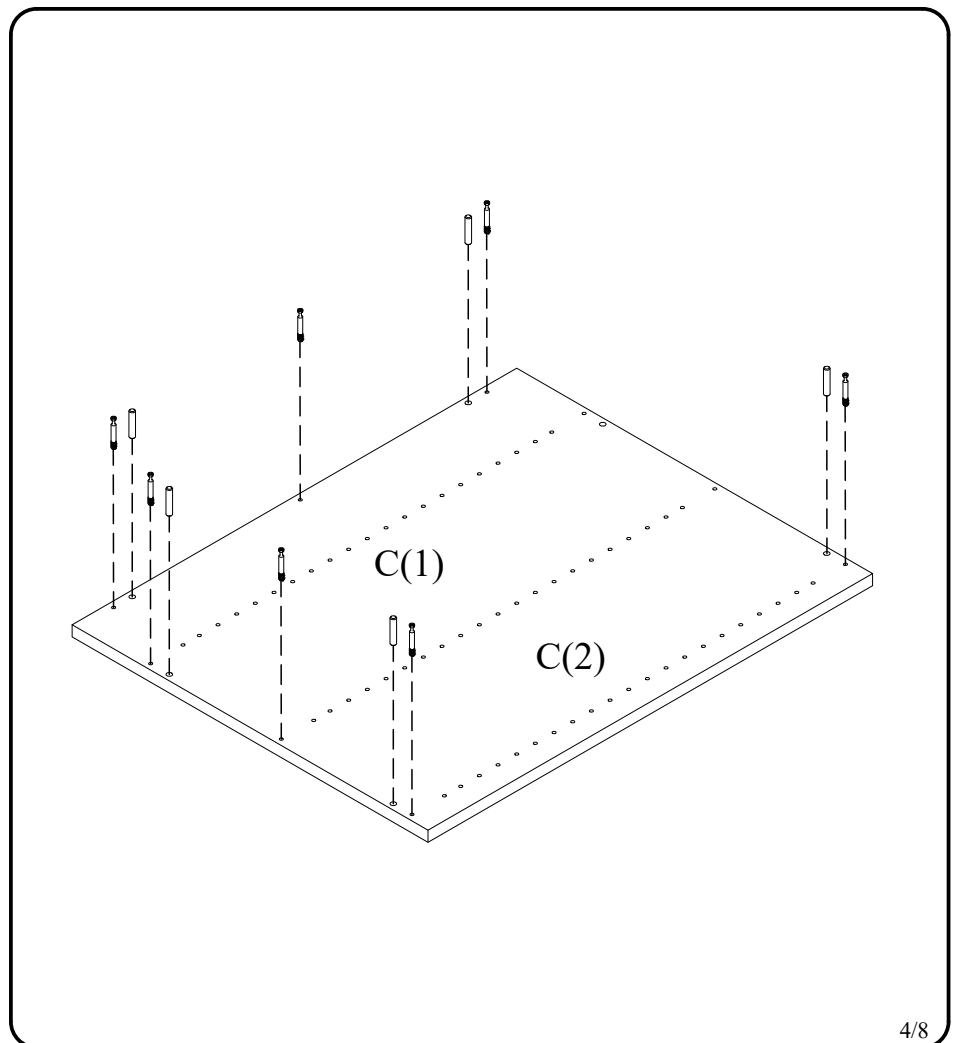
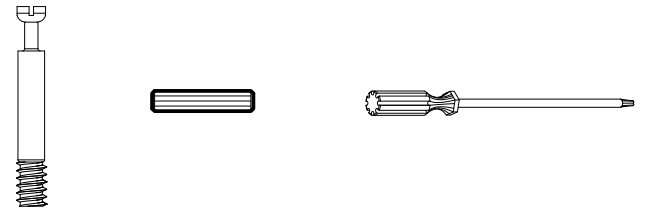
**PARTS**

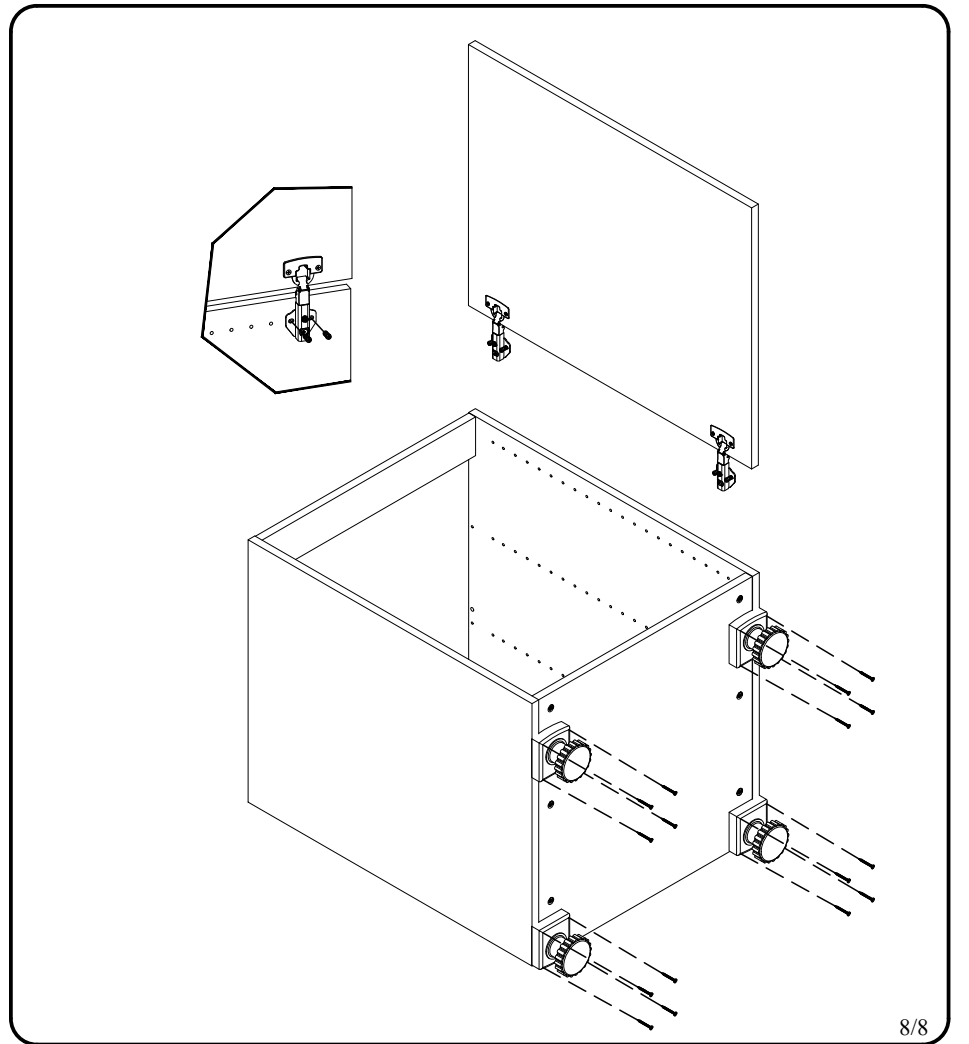
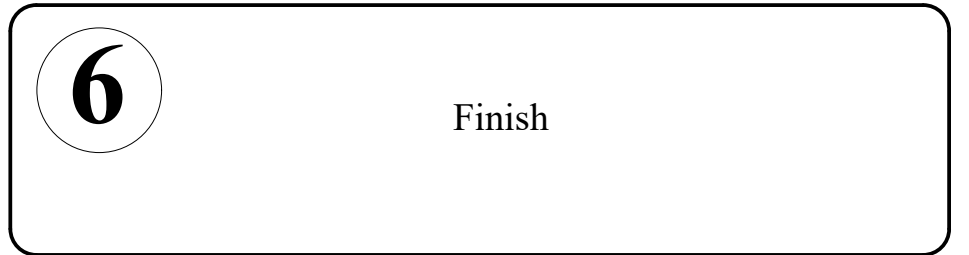
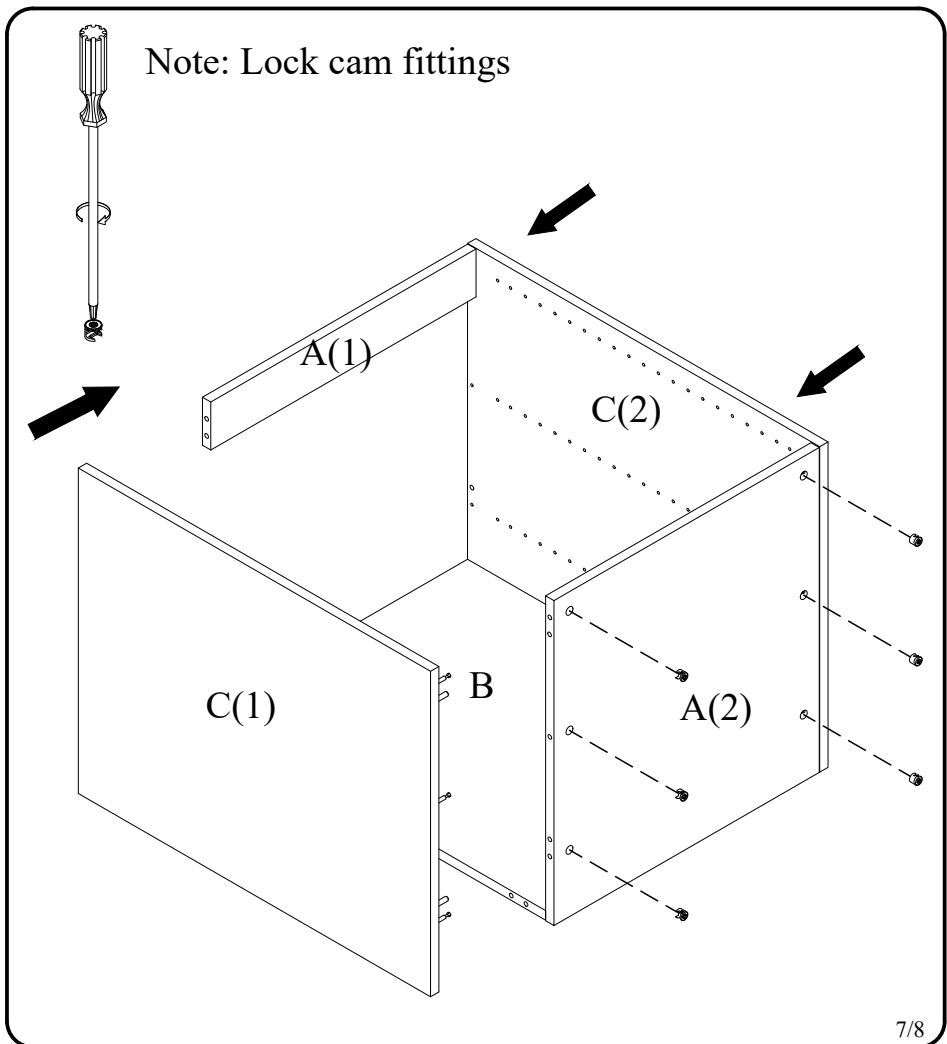
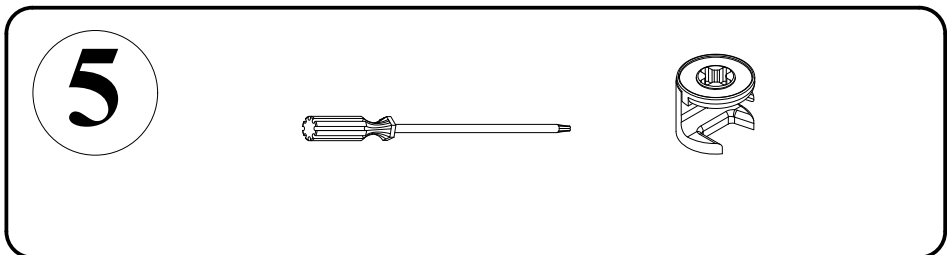
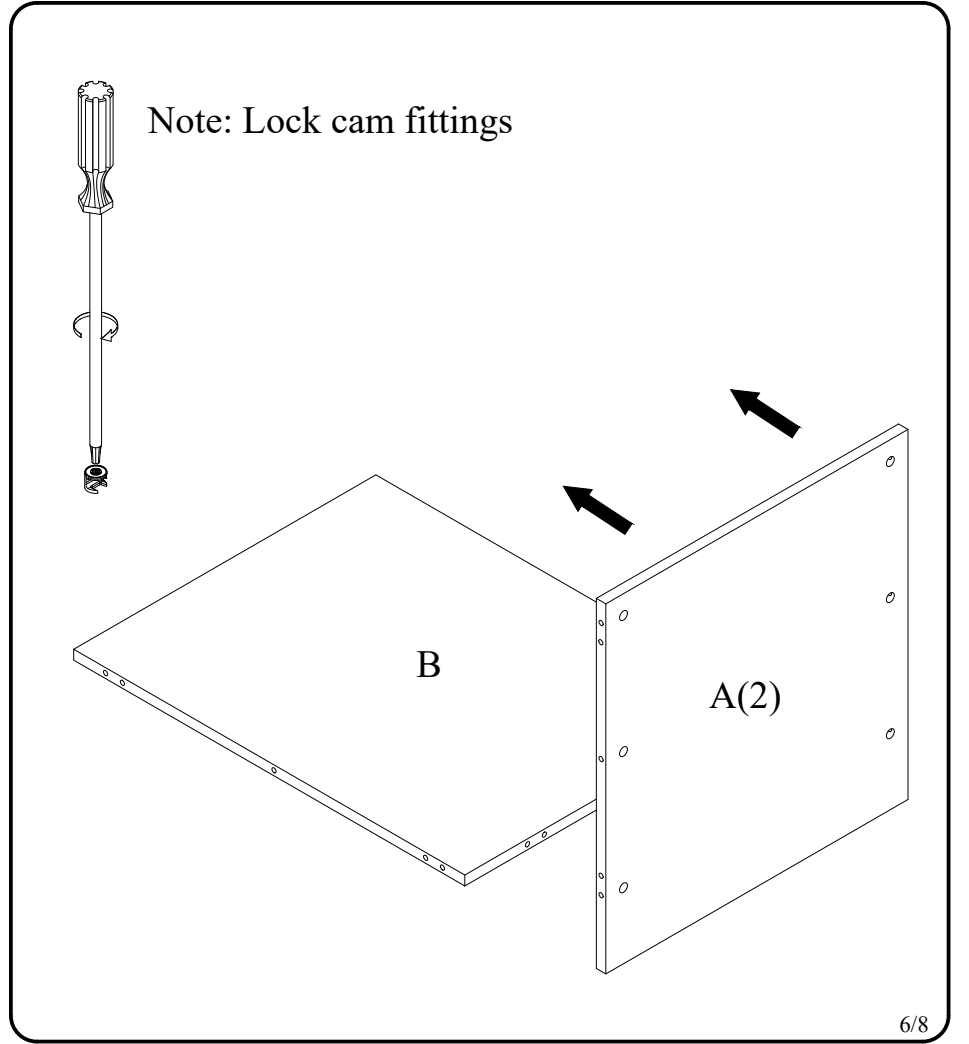
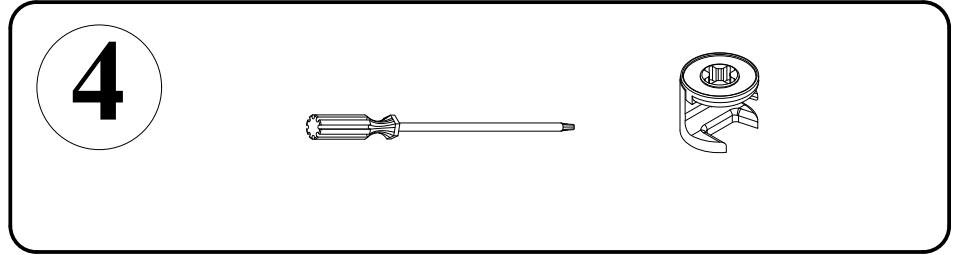
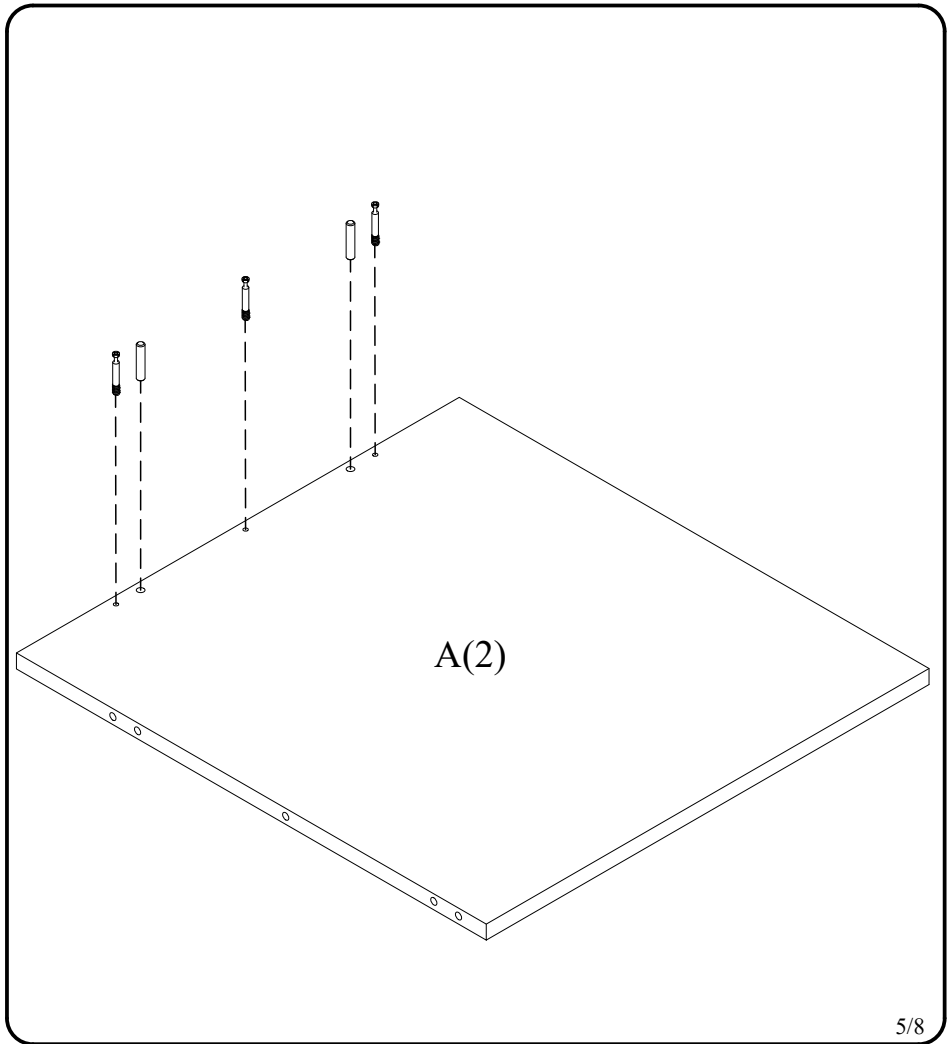
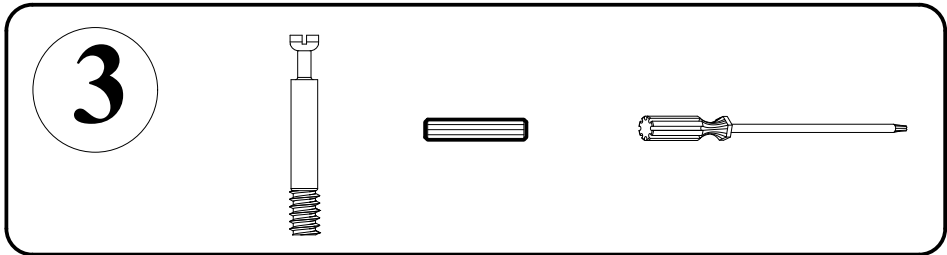


**1**



**2**





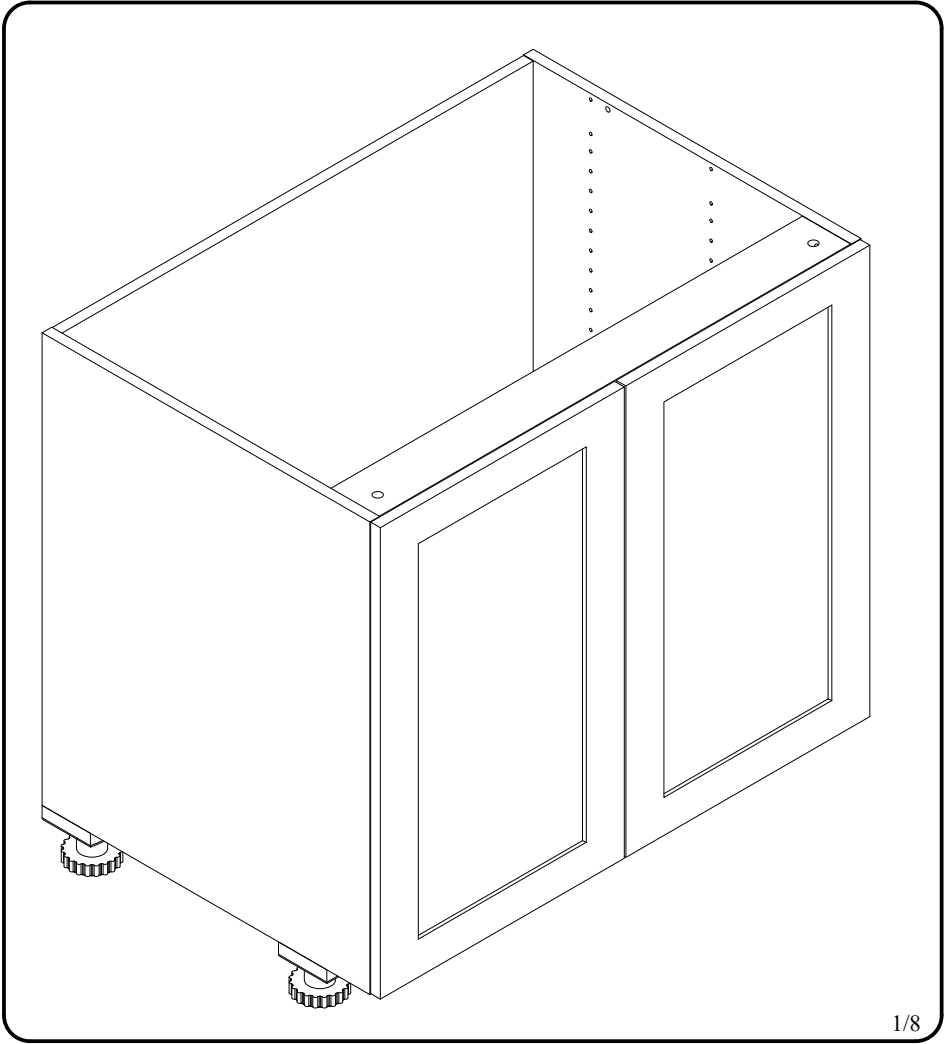
# BASE CABINET

B27"34 1/2"24"

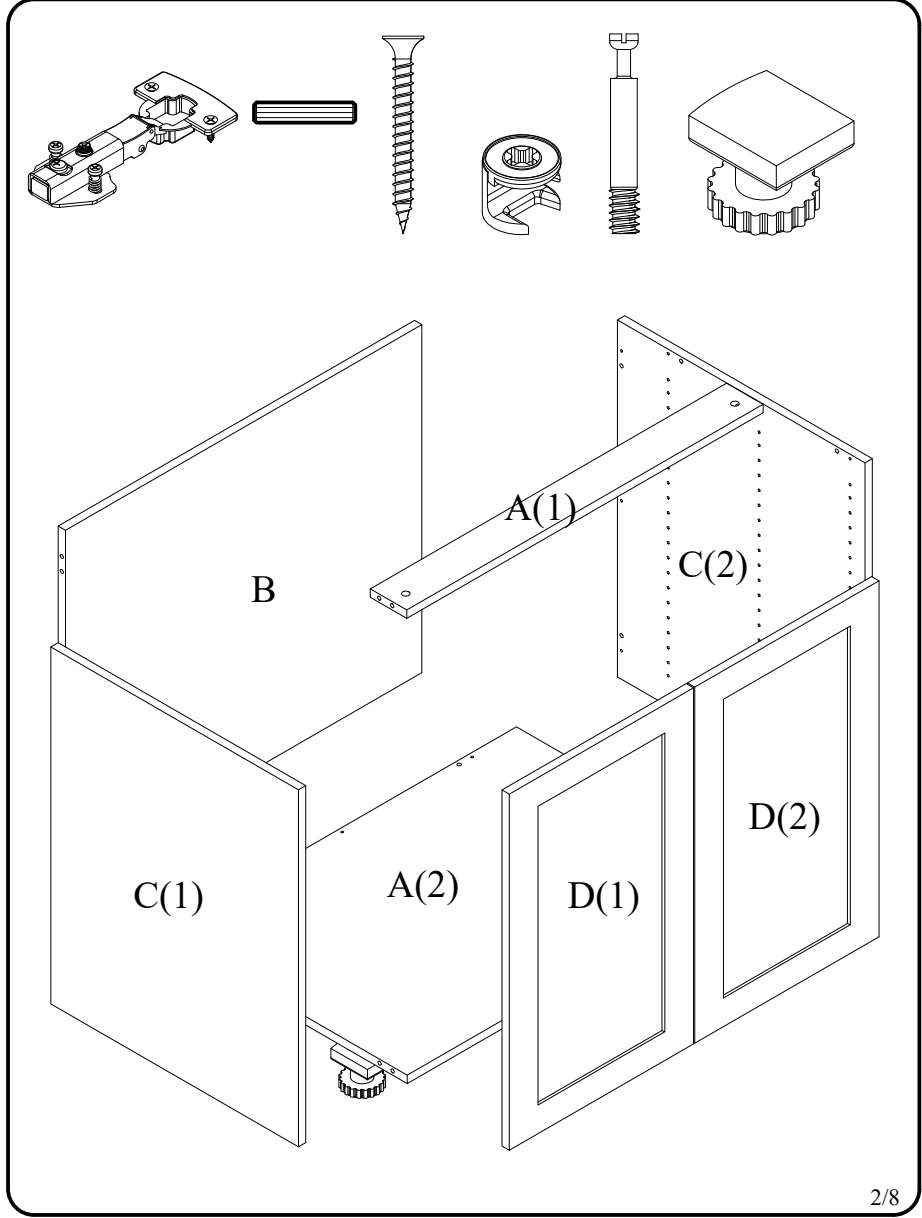
B30"34 1/2"24"

B33"34 1/2"24"

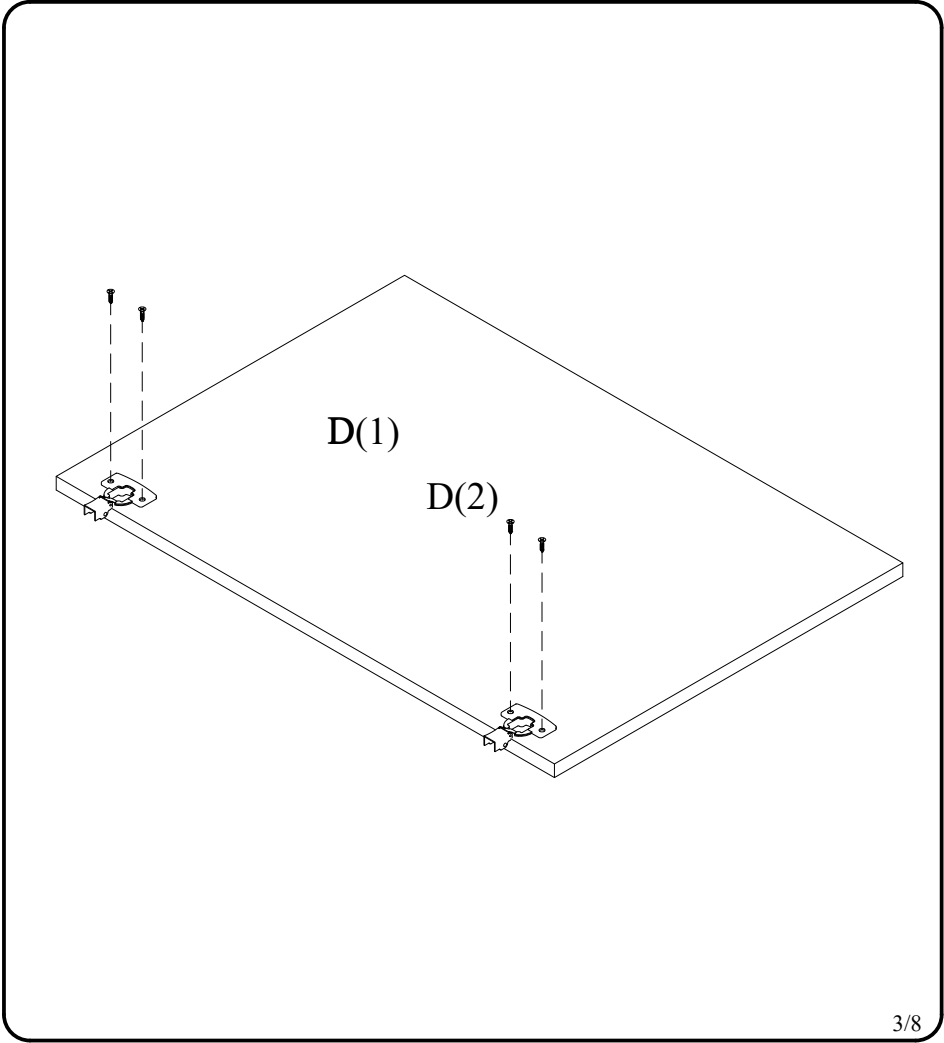
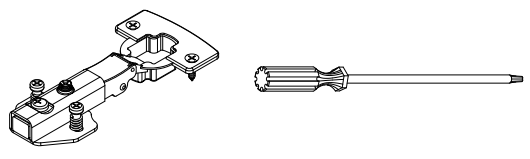
B36"34 1/2"24"



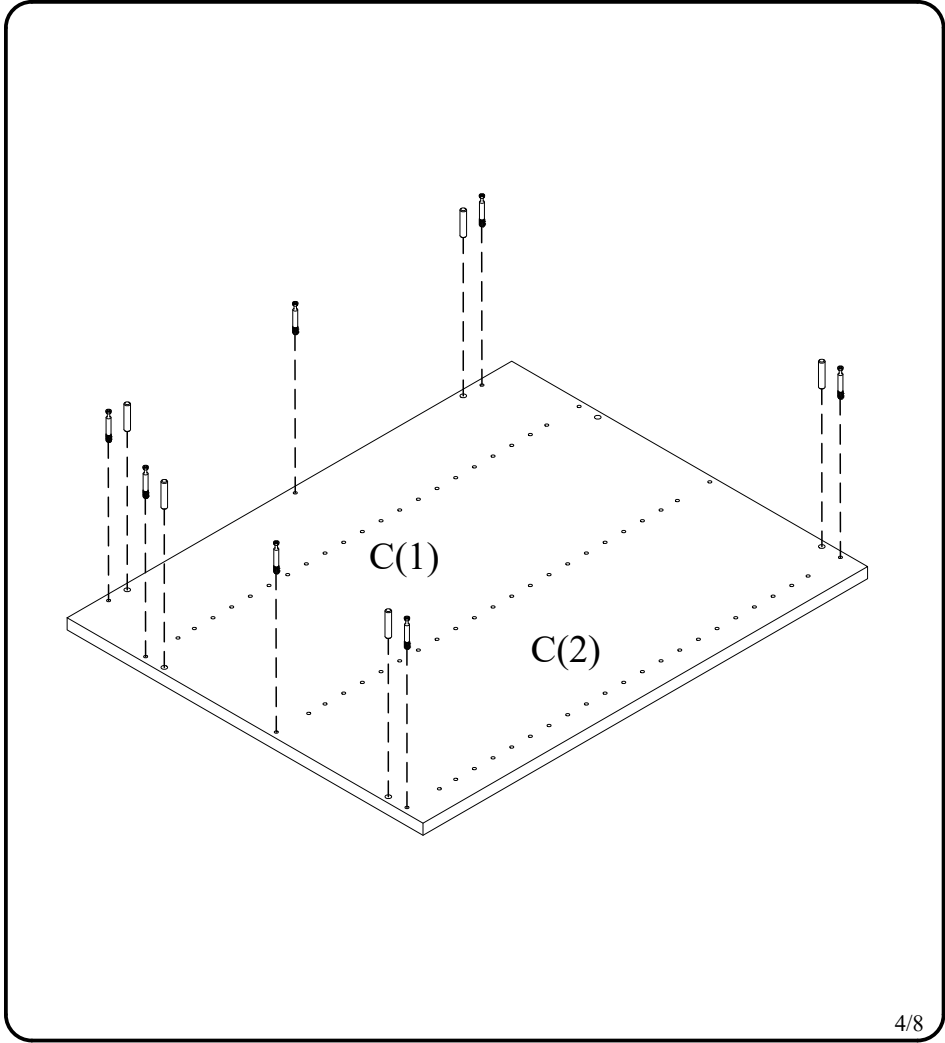
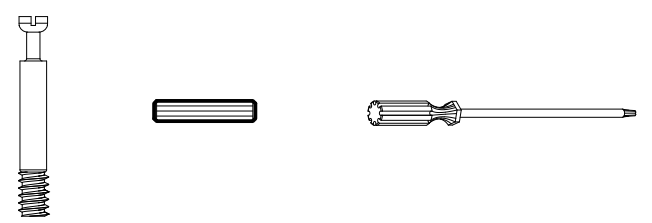
# PARTS



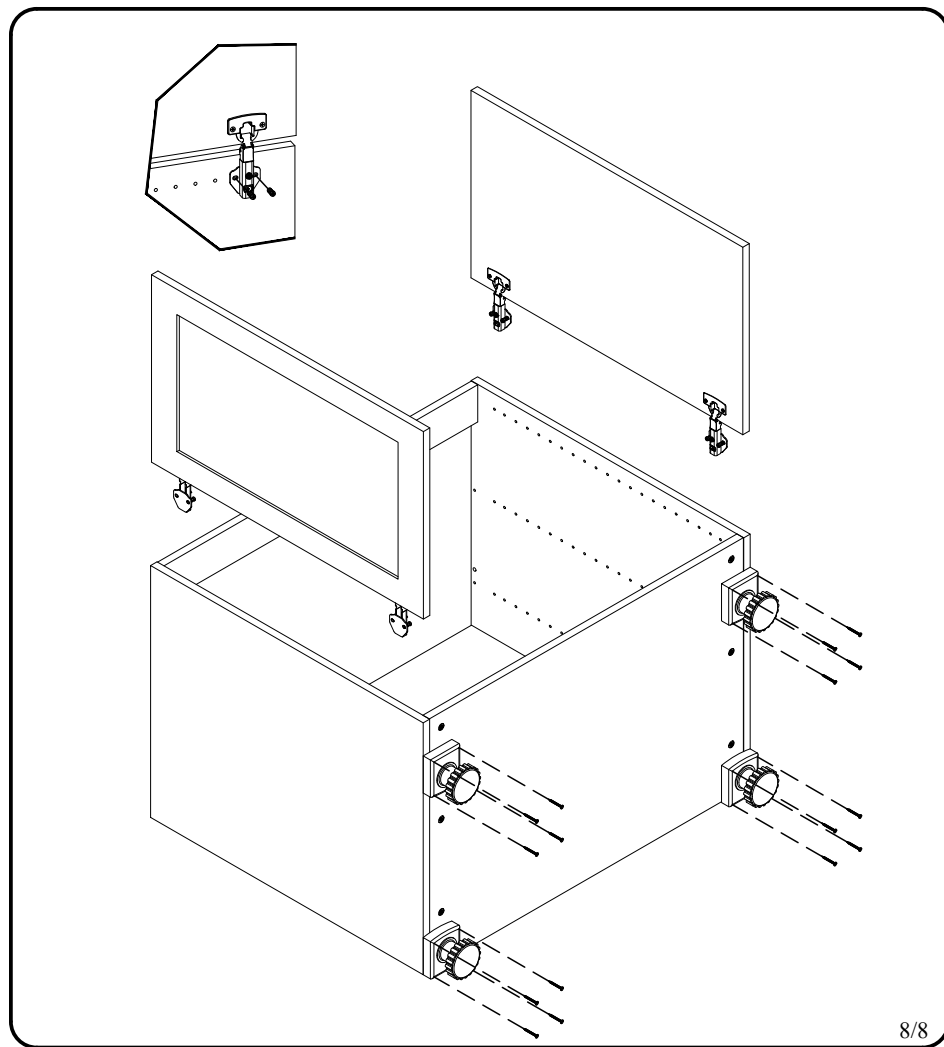
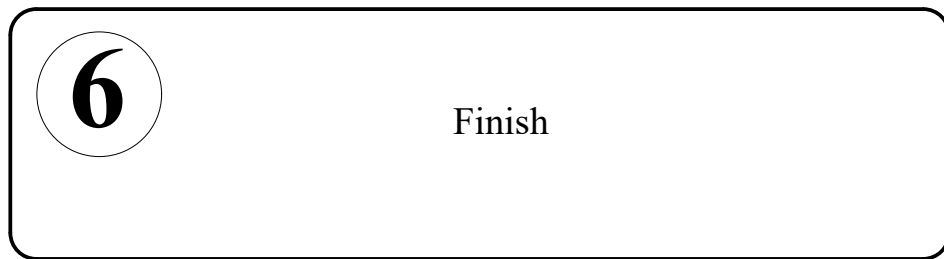
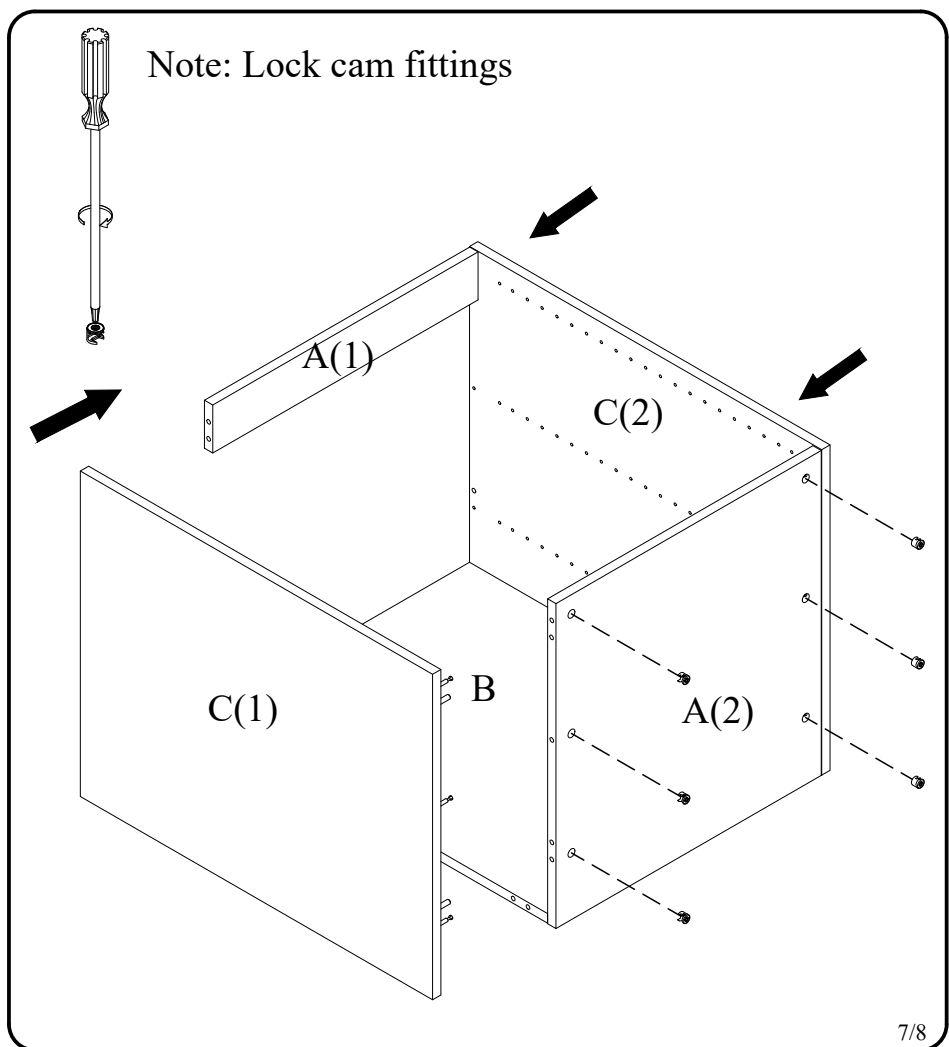
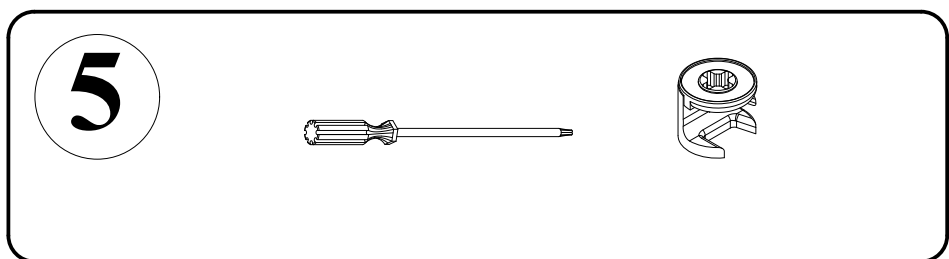
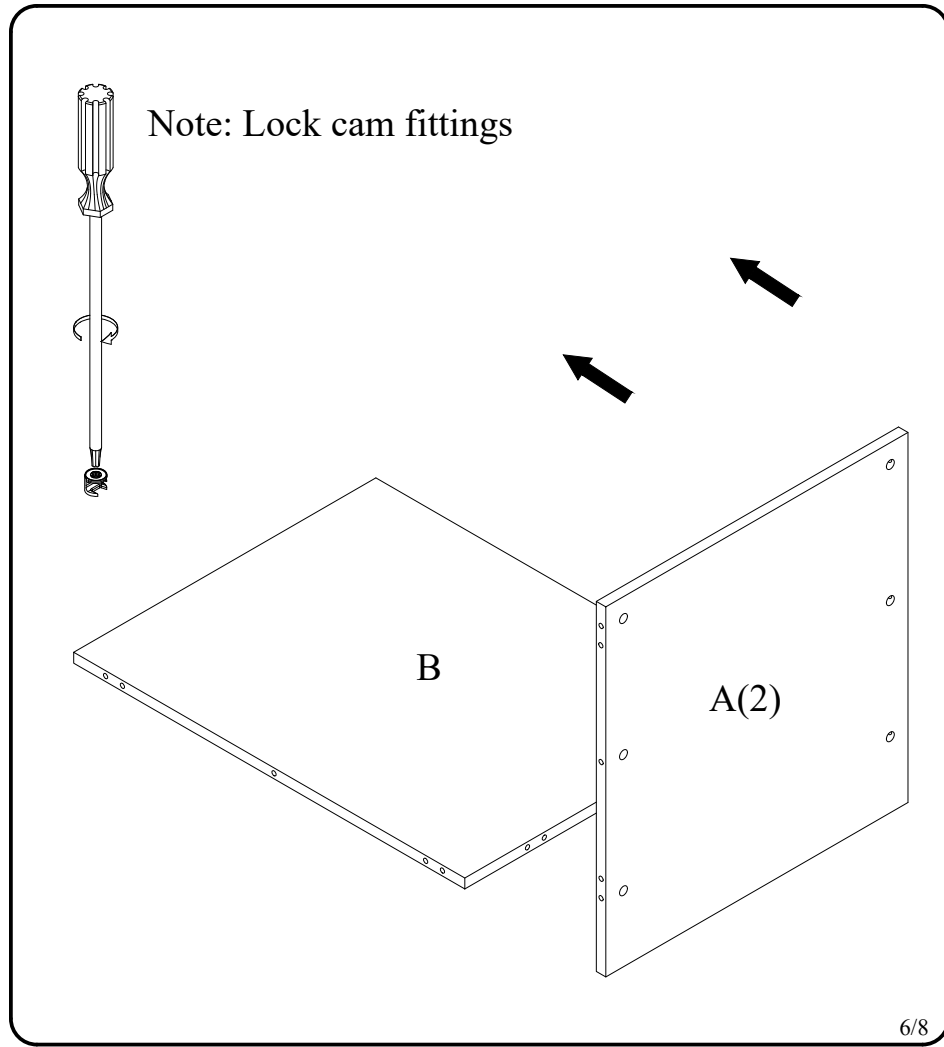
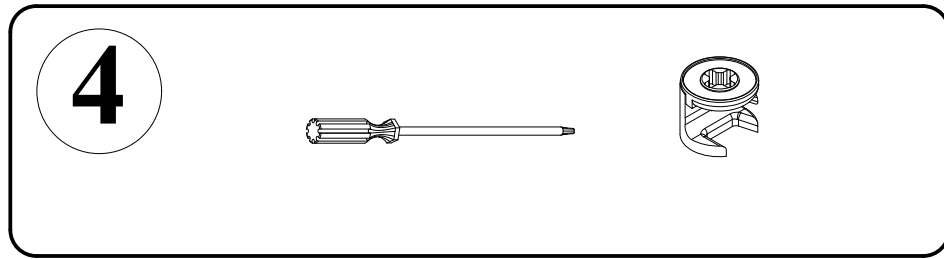
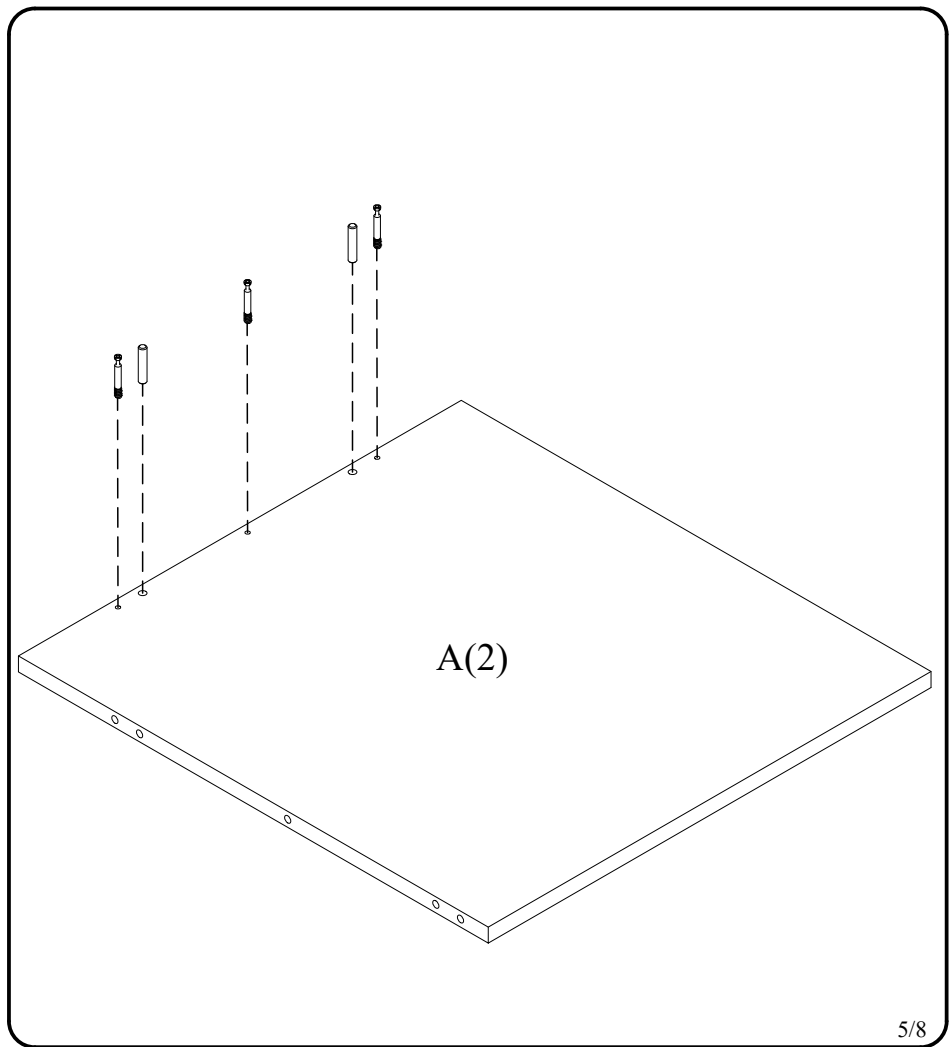
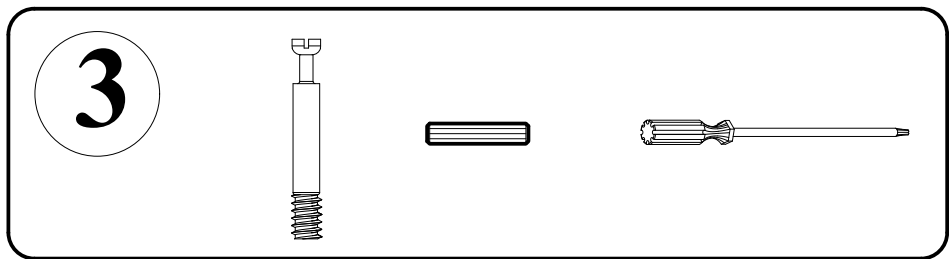
1



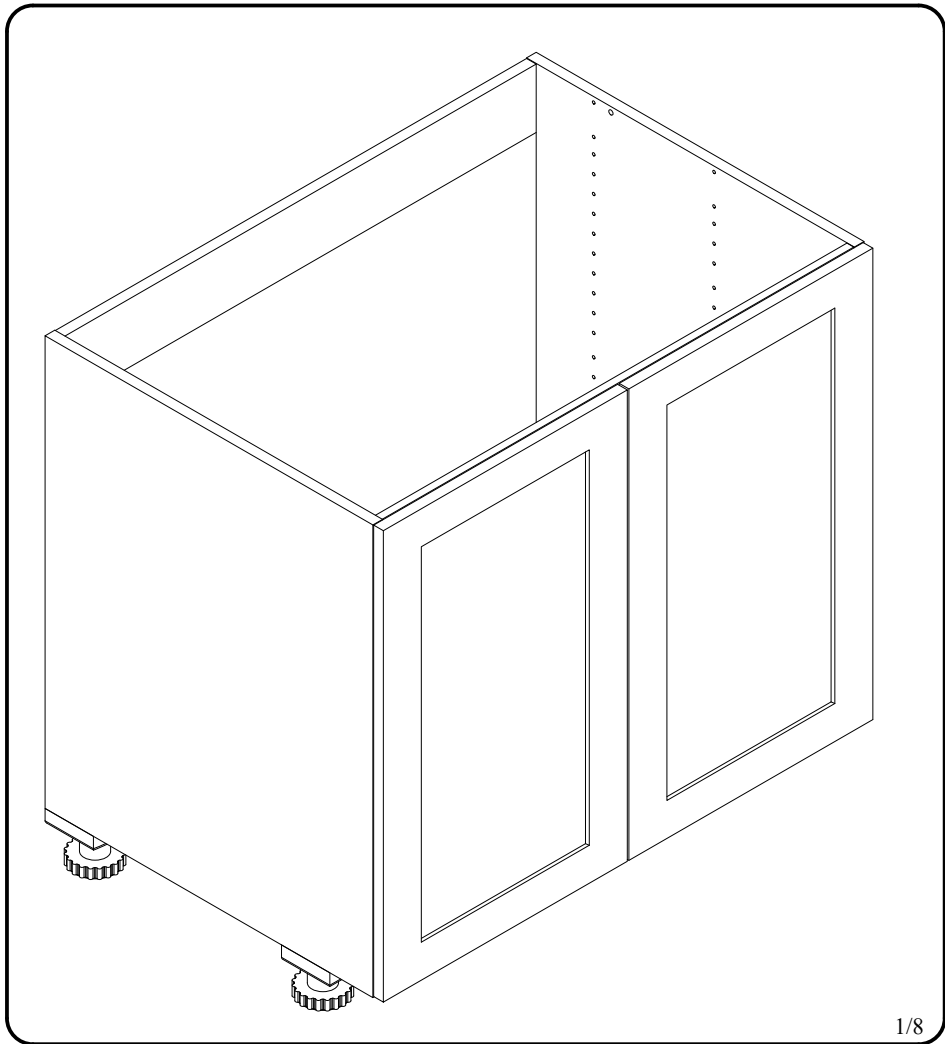
2



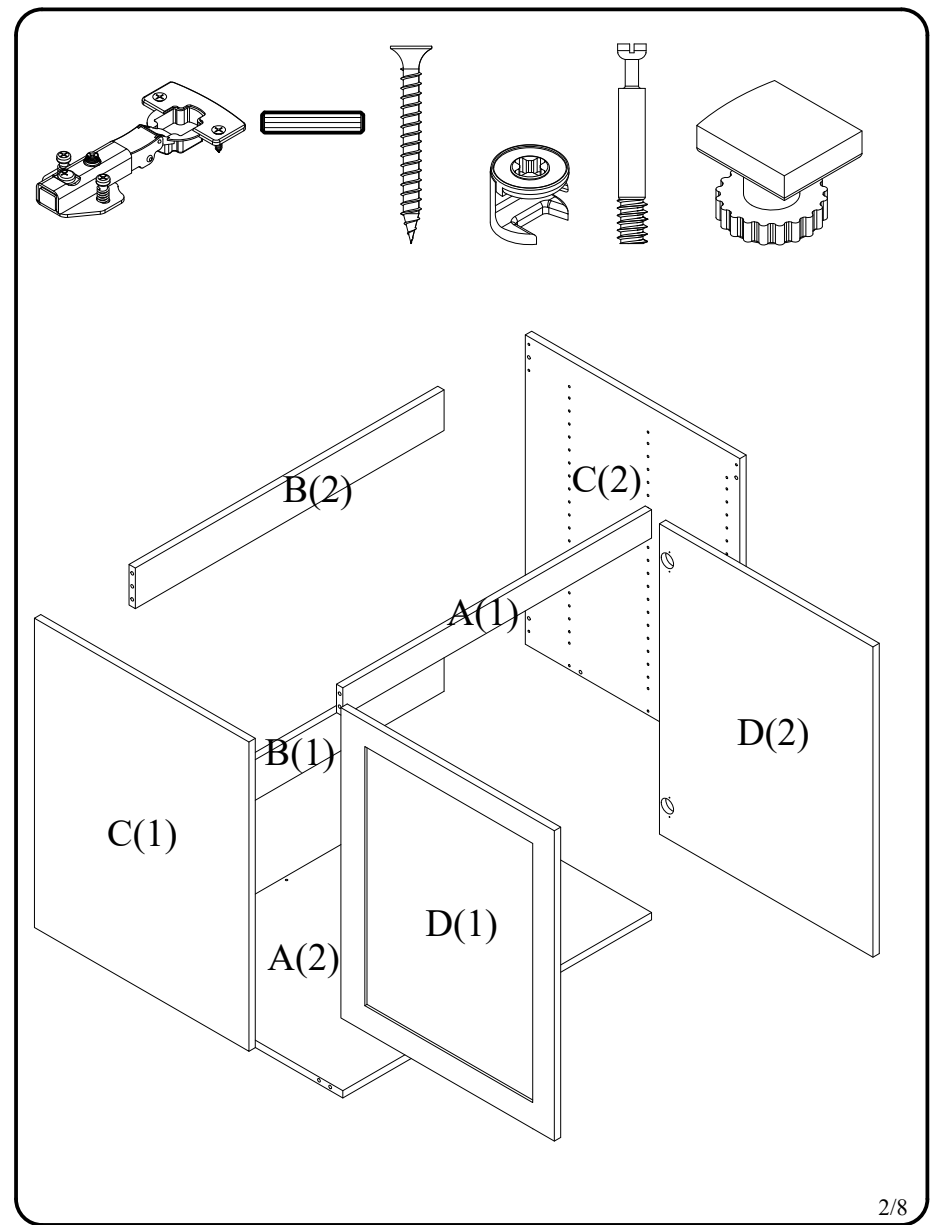




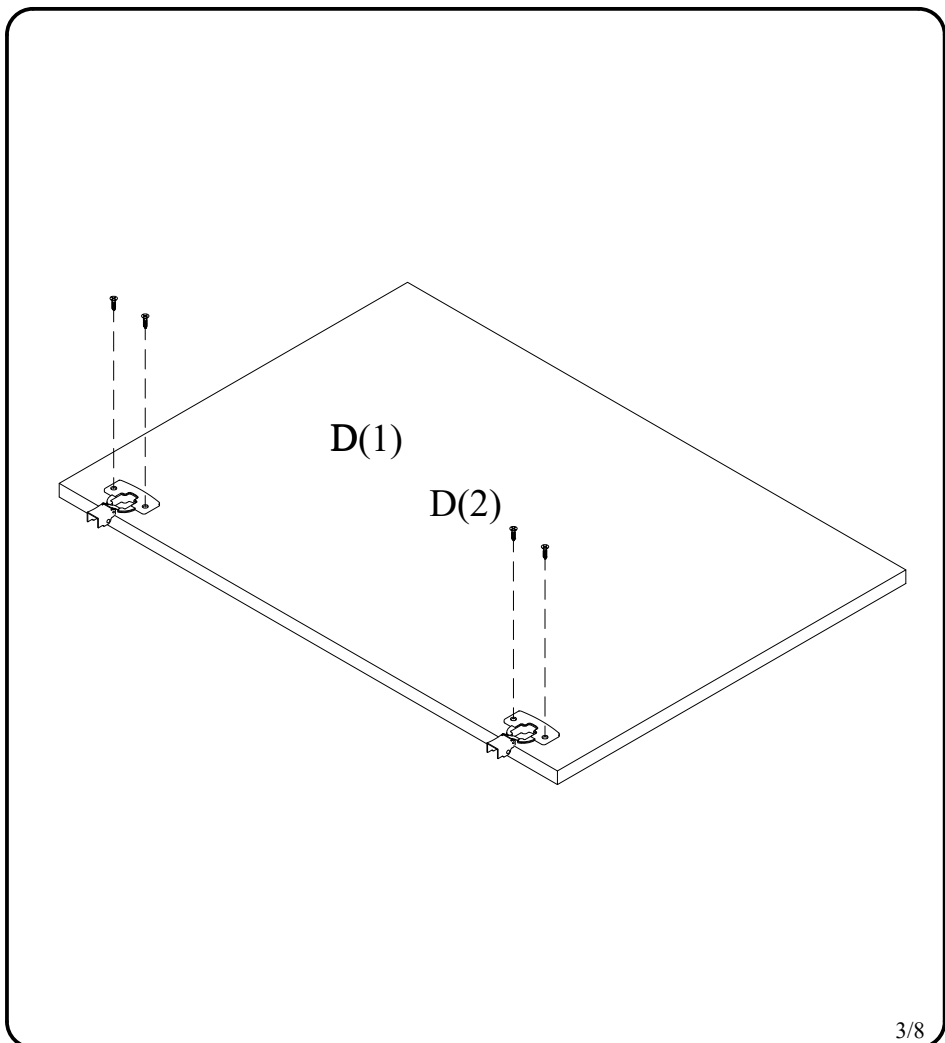
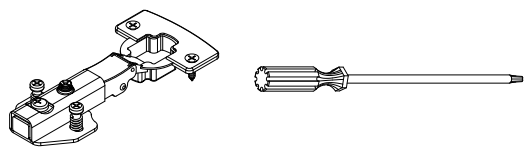
**BASE CABINET**  
 SB33"34 1/2"24"  
 SB36"34 1/2"24"



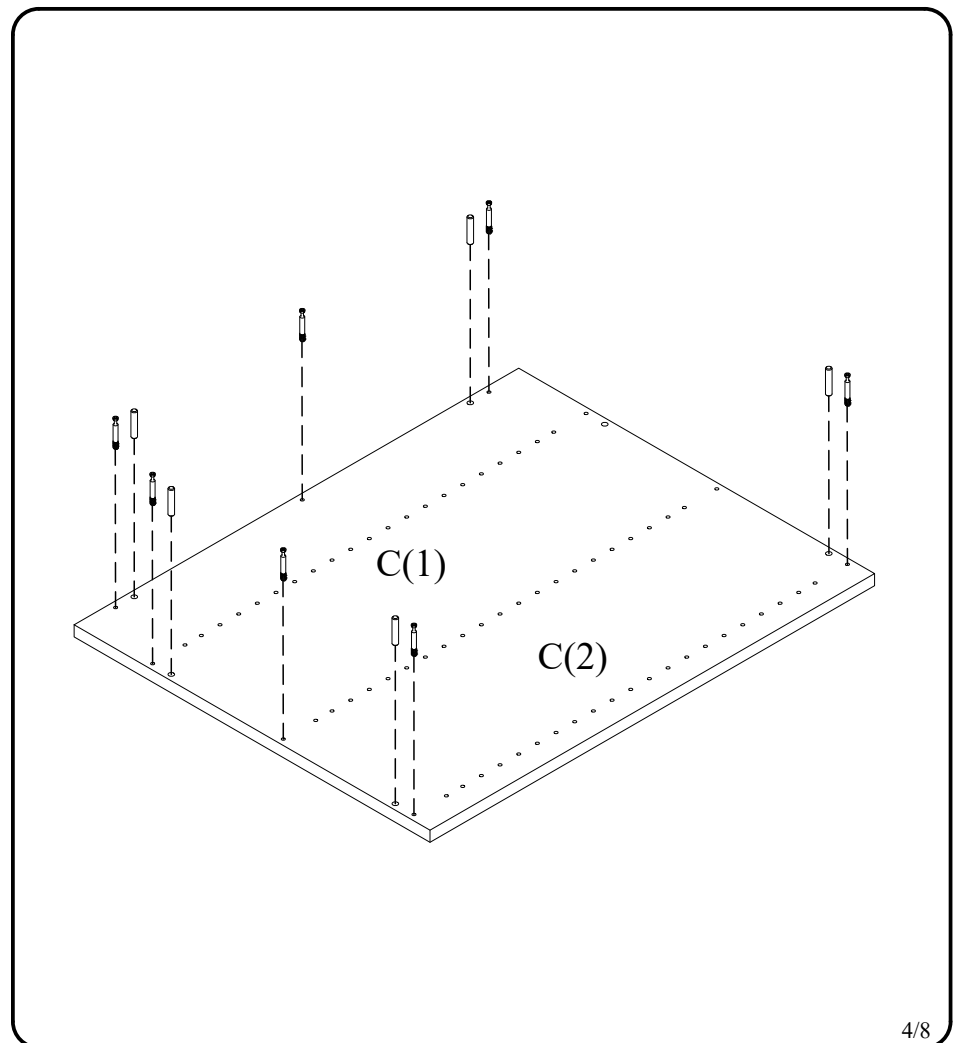
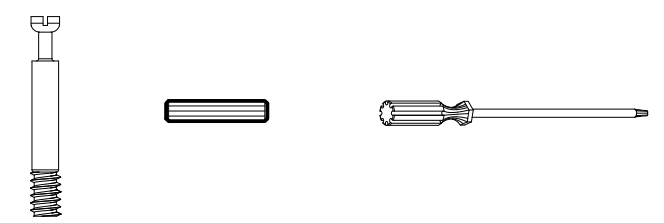
**PARTS**

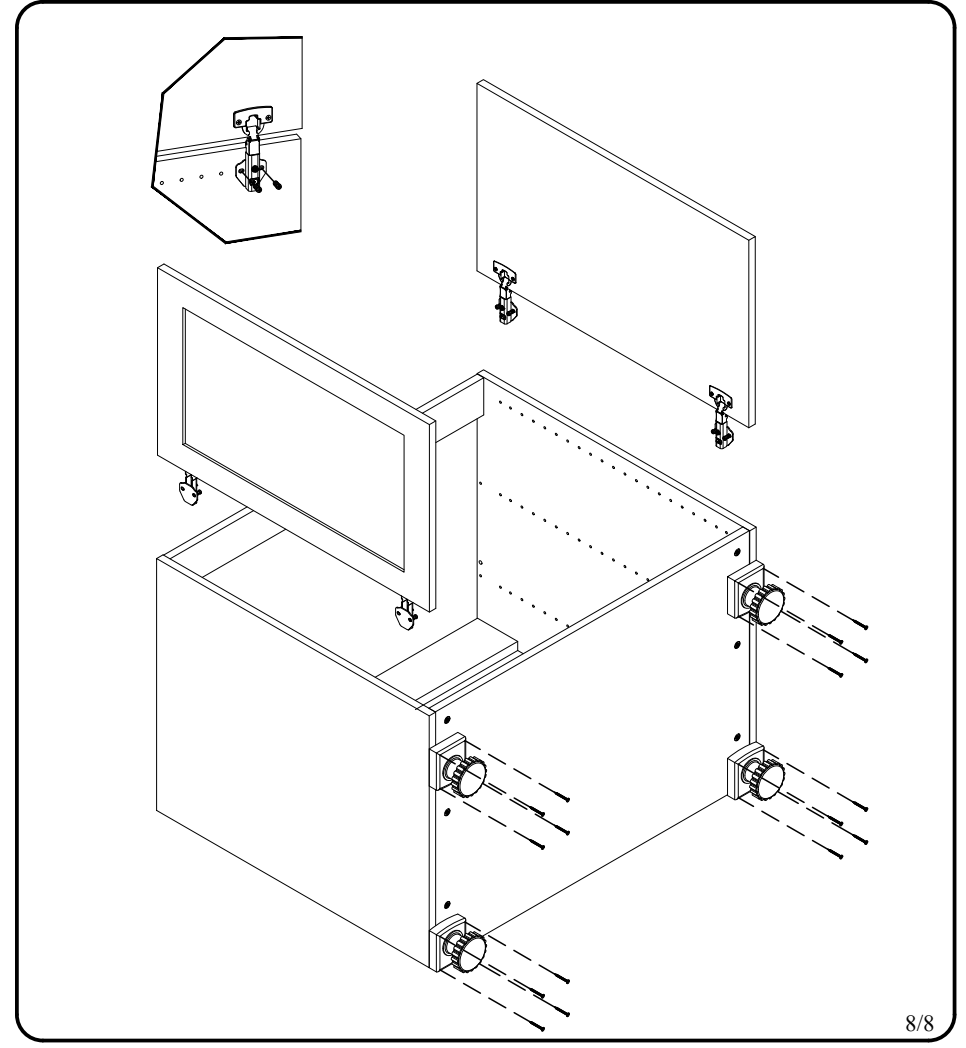
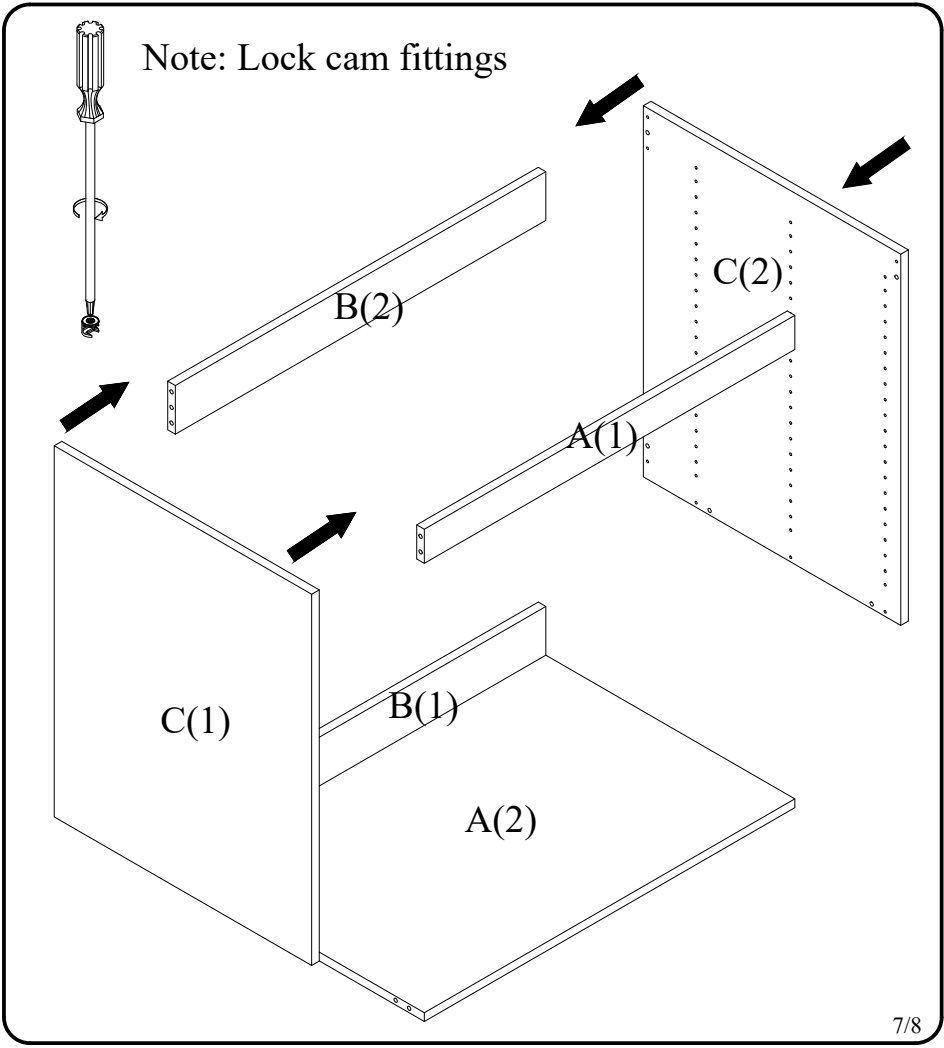
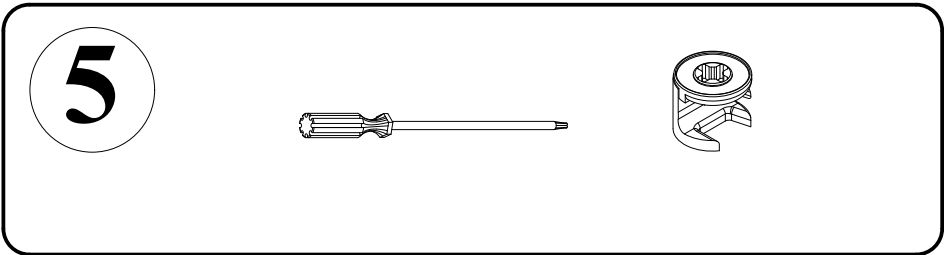
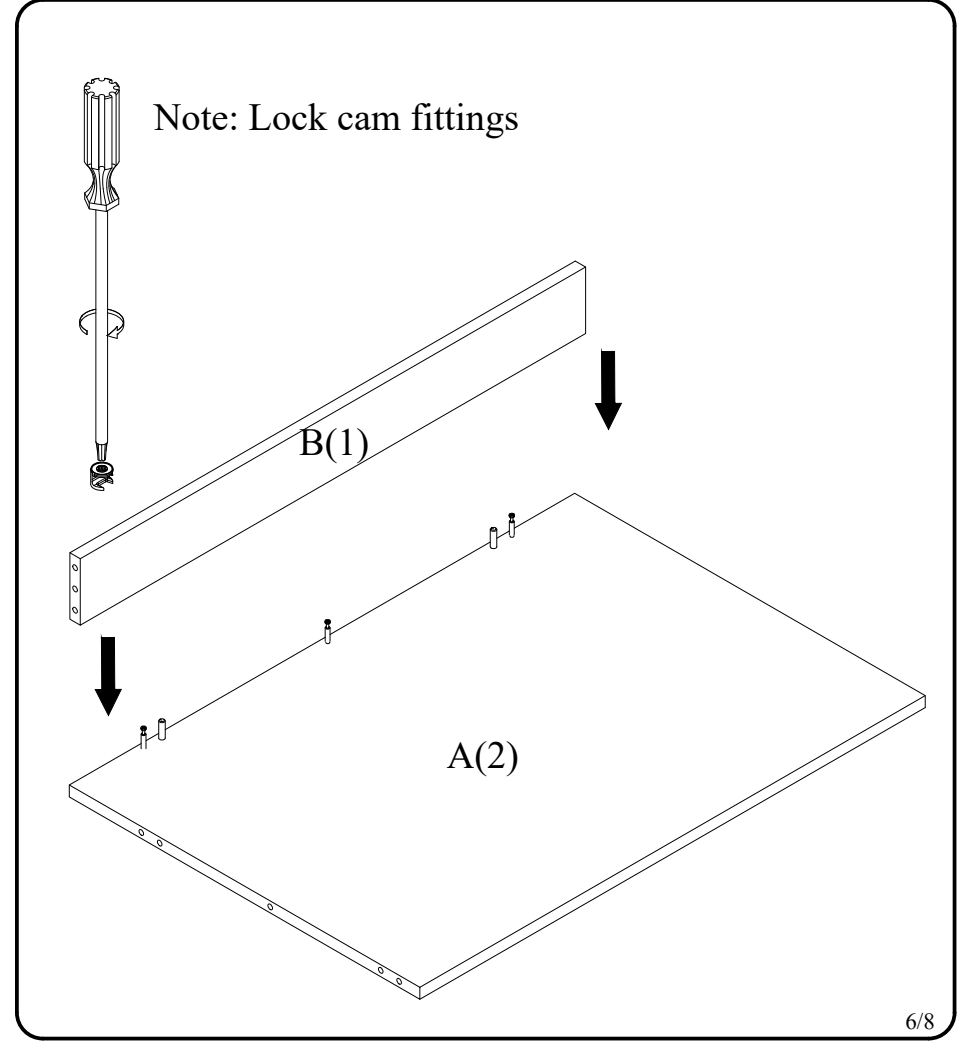
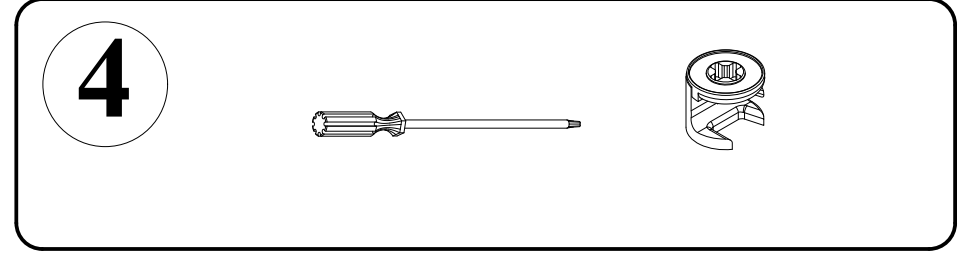
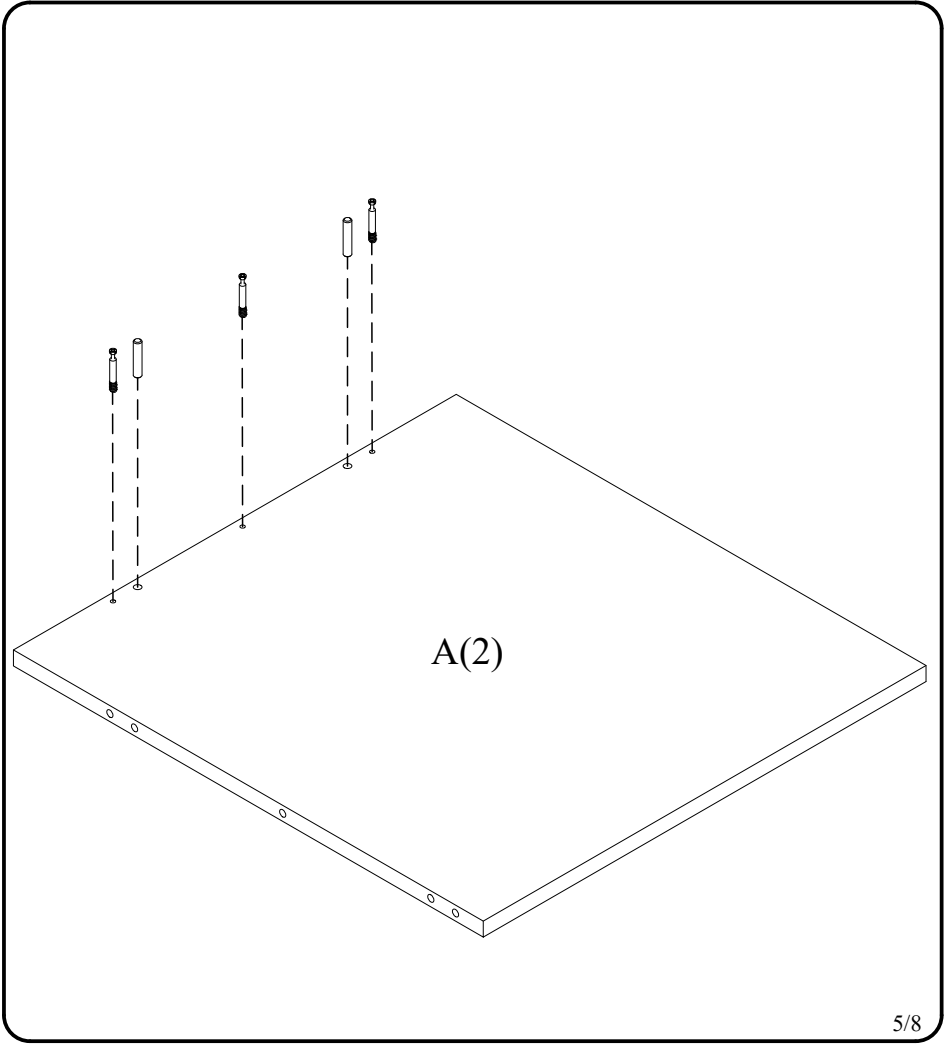
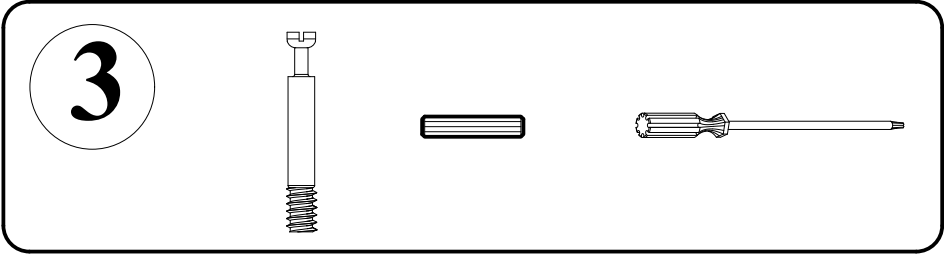


**1**

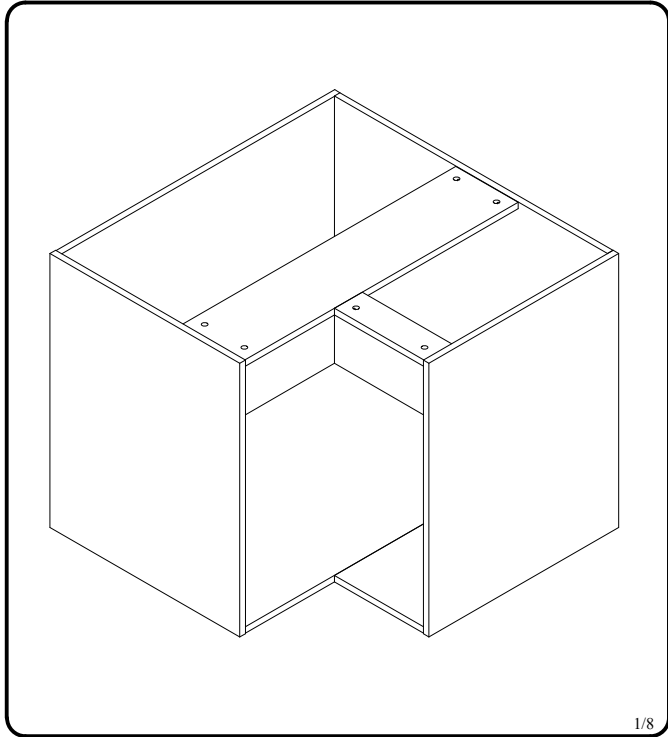


**2**

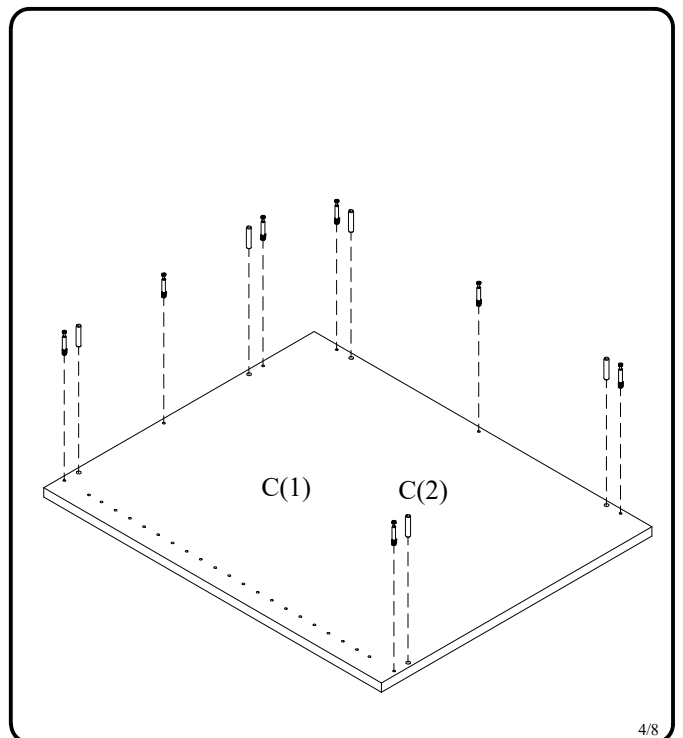
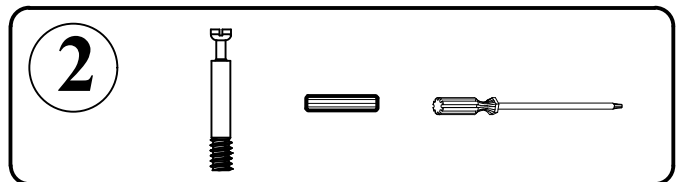
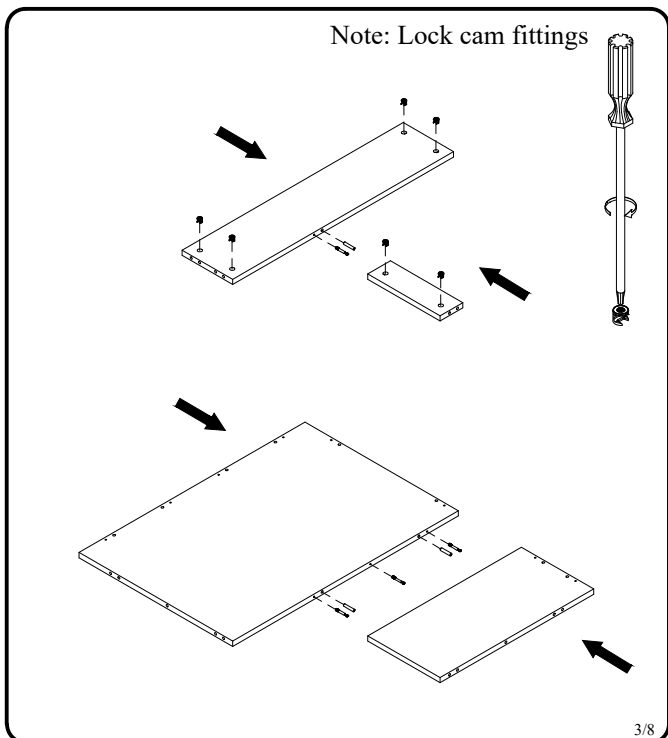
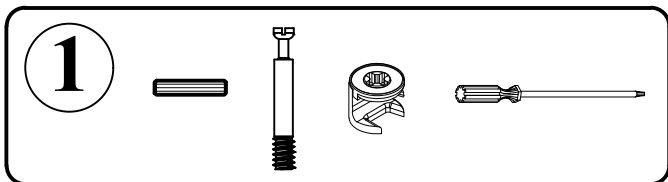
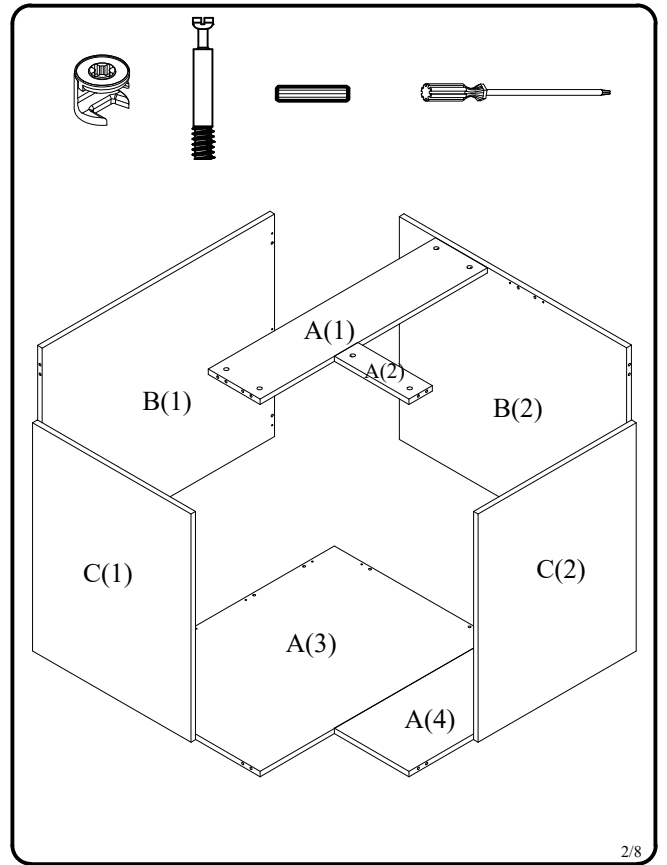


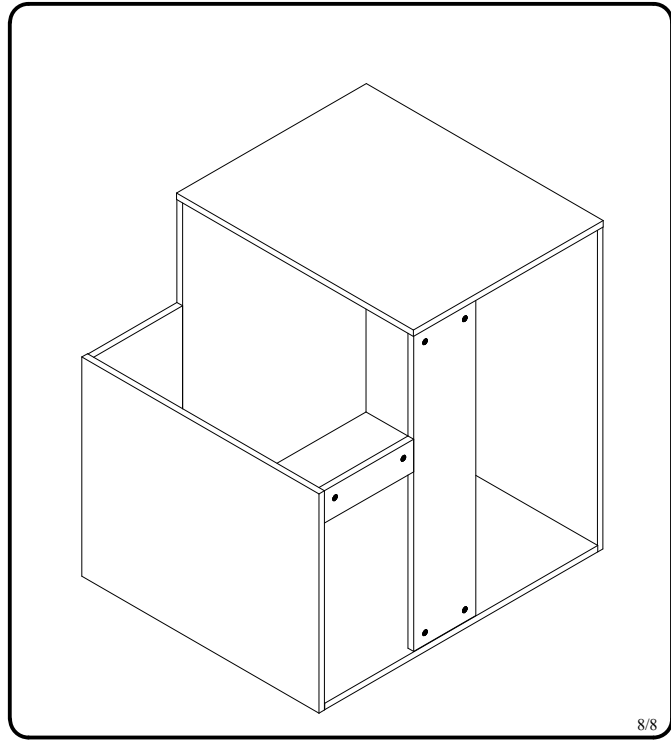
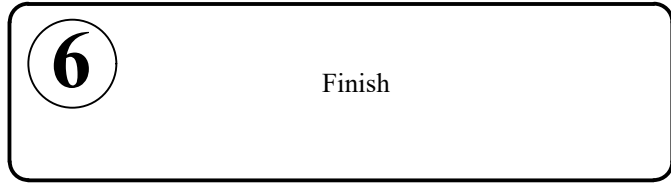
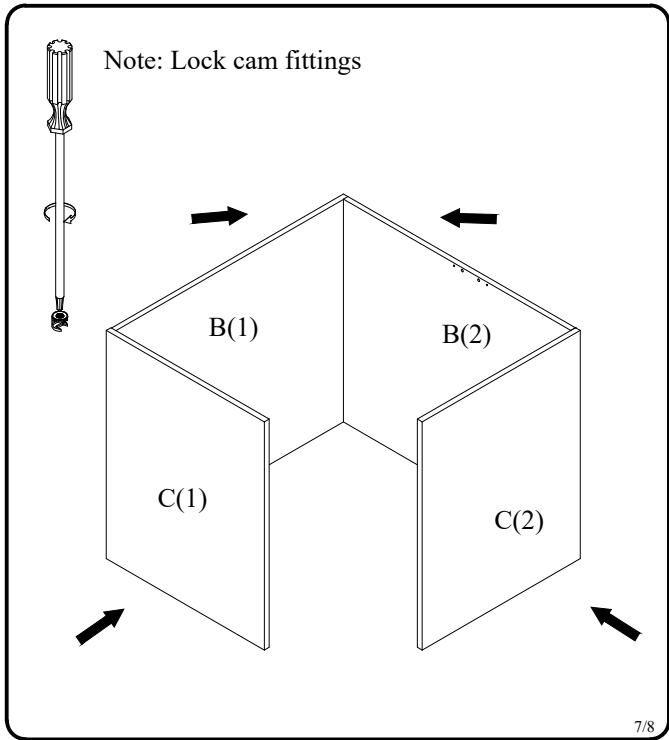
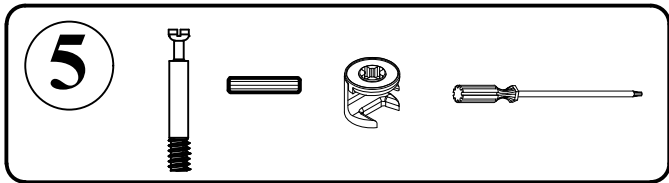
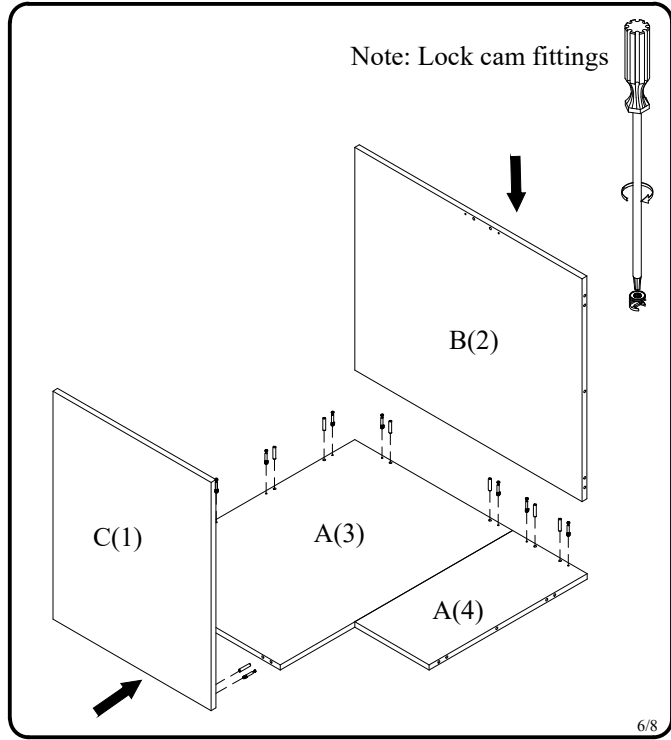
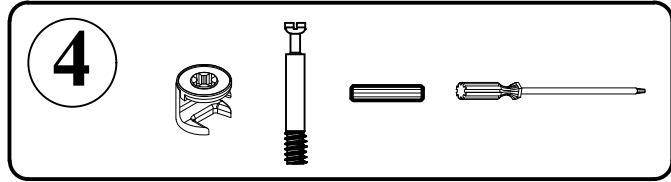
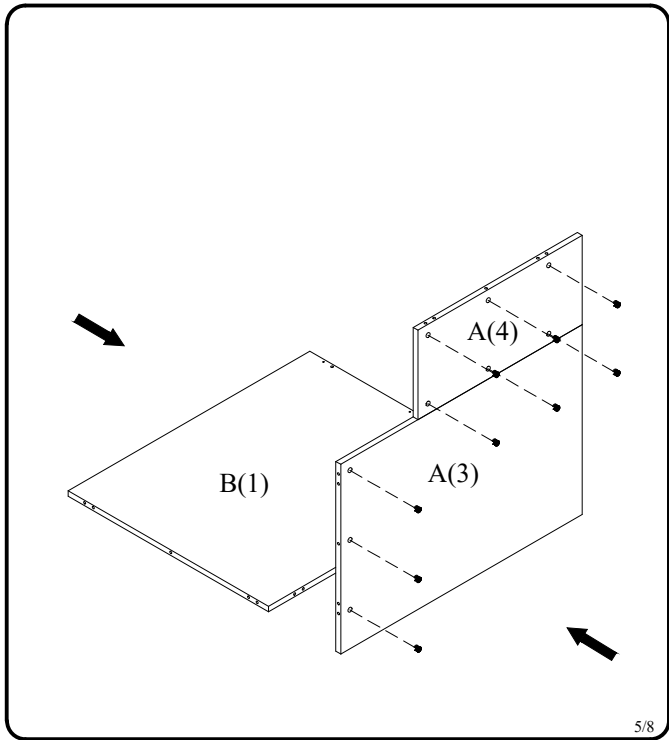
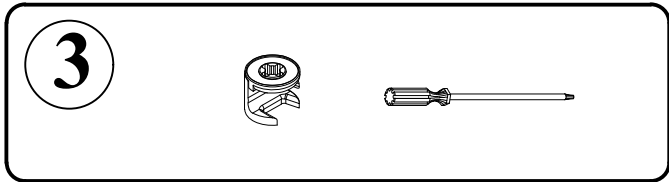


WALL CABINET  
BLS 36"34"  $\frac{1}{2}$ "36"

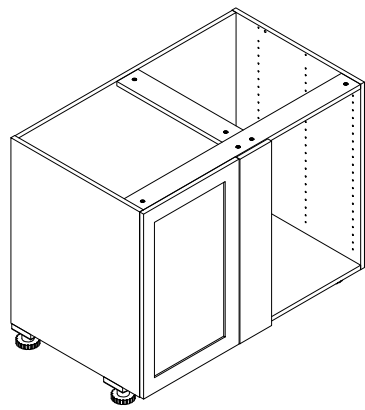
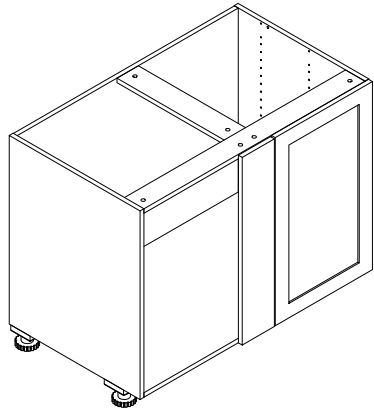


PARTS



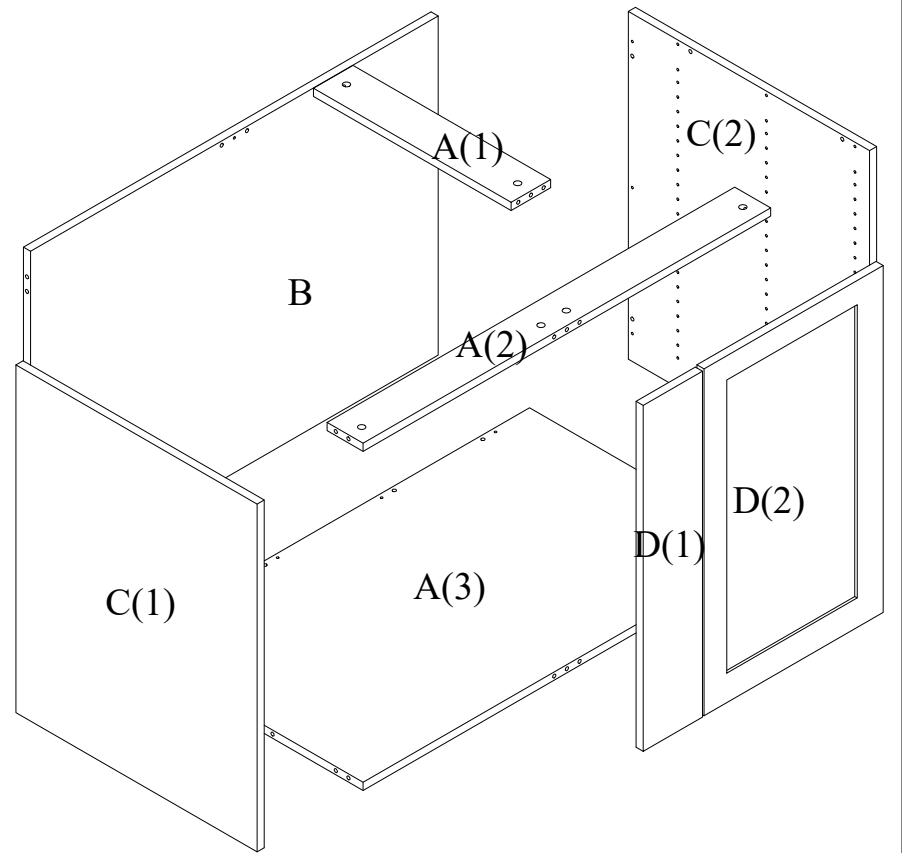
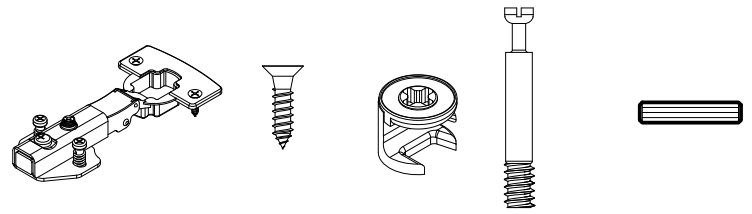


BASE CABINET  
BBC42"/45"\*24 1/2\*24"



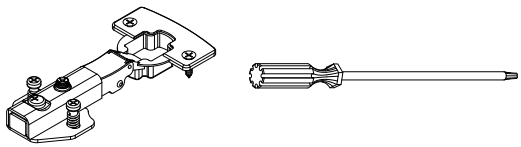
1/8

PARTS

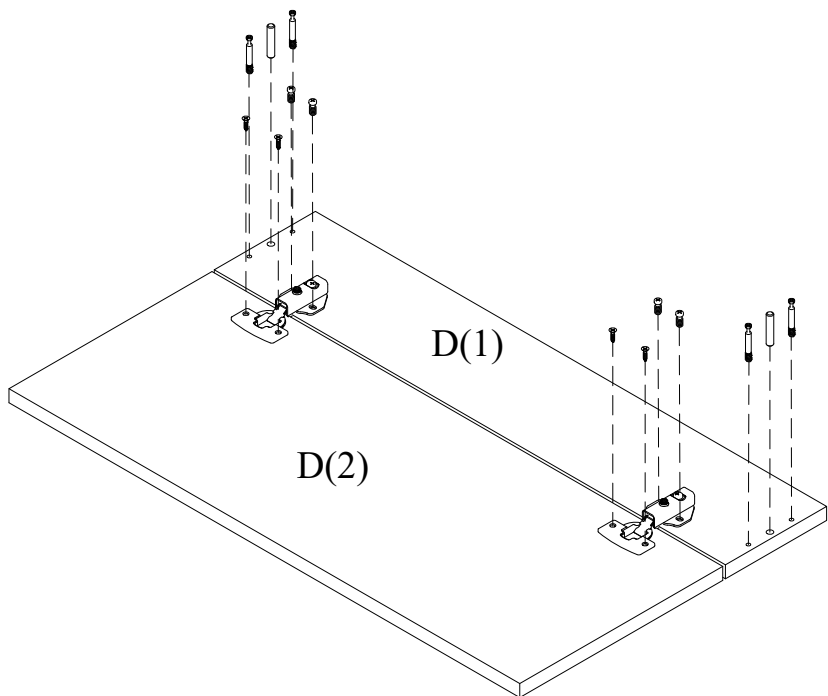
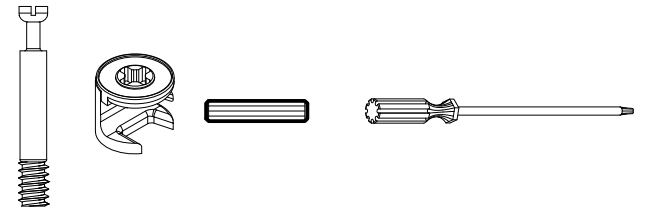


2/8

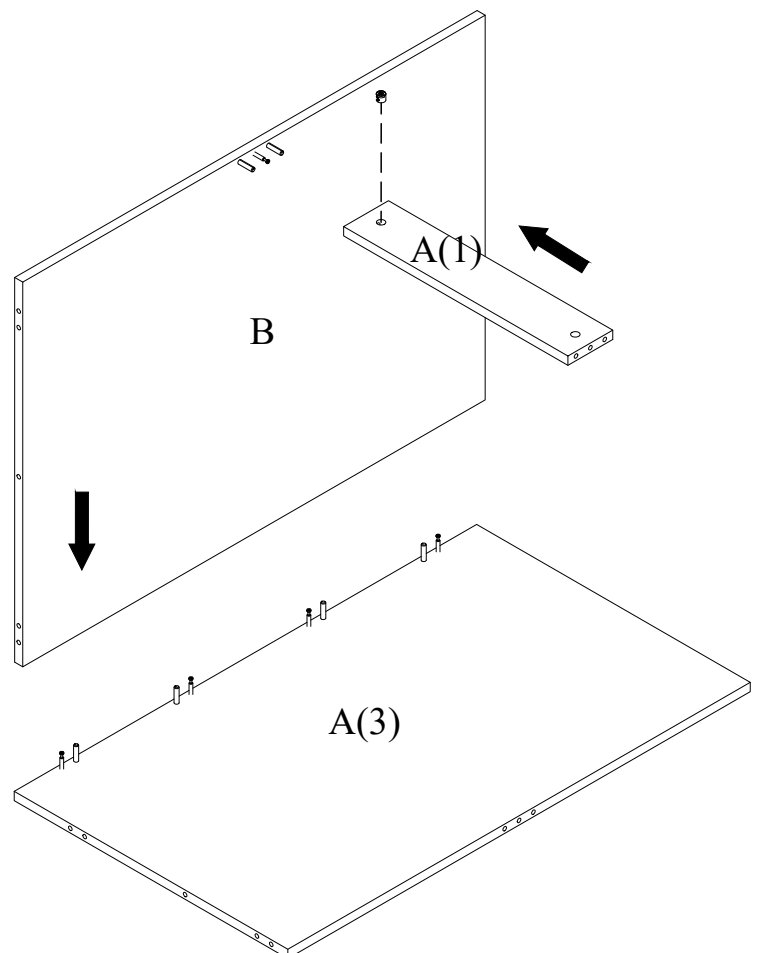
1



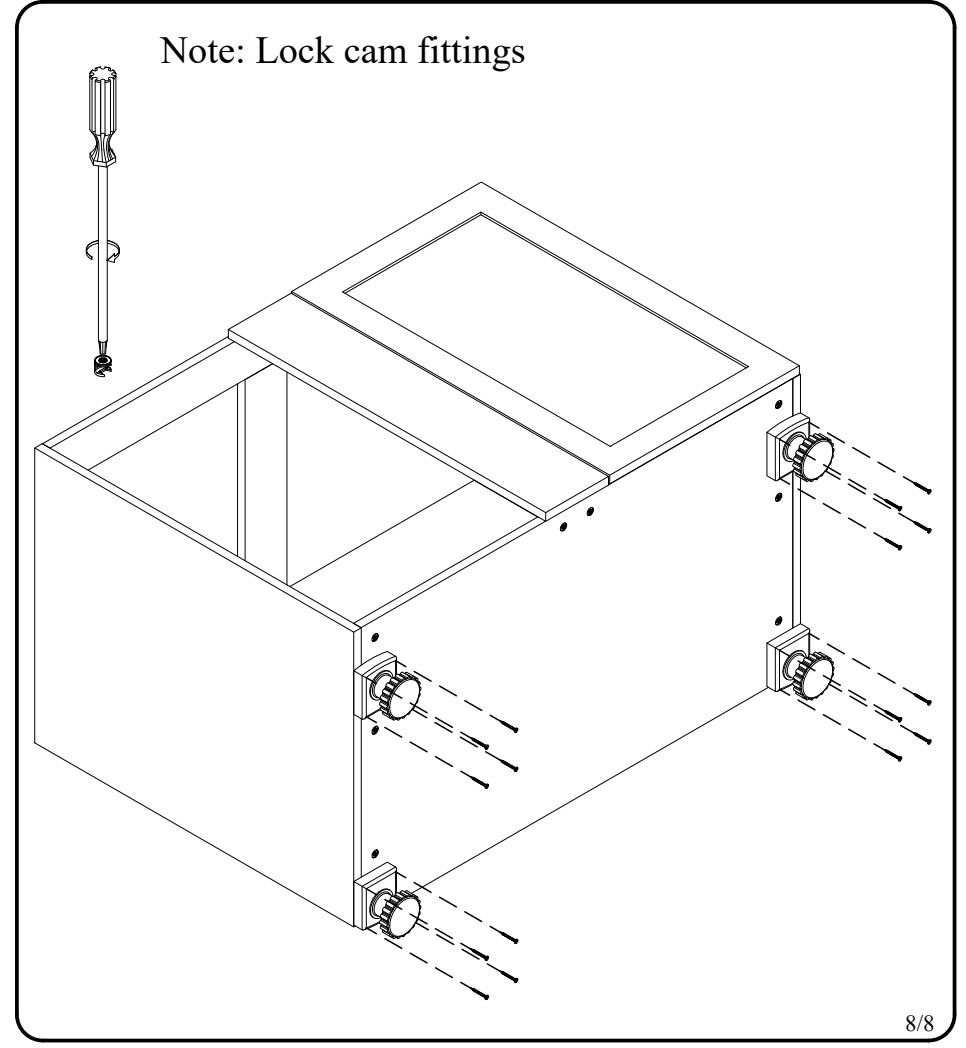
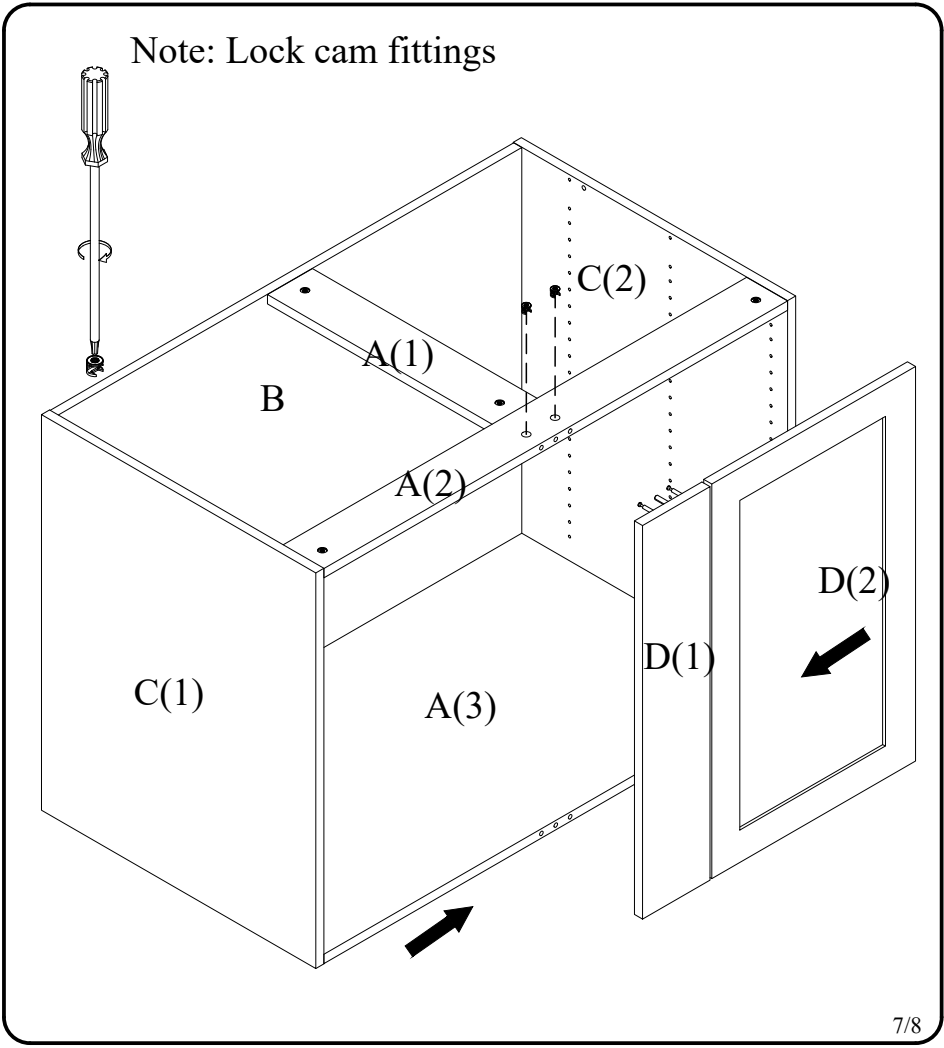
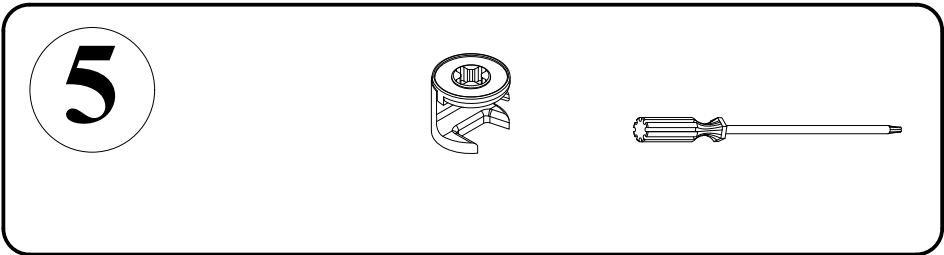
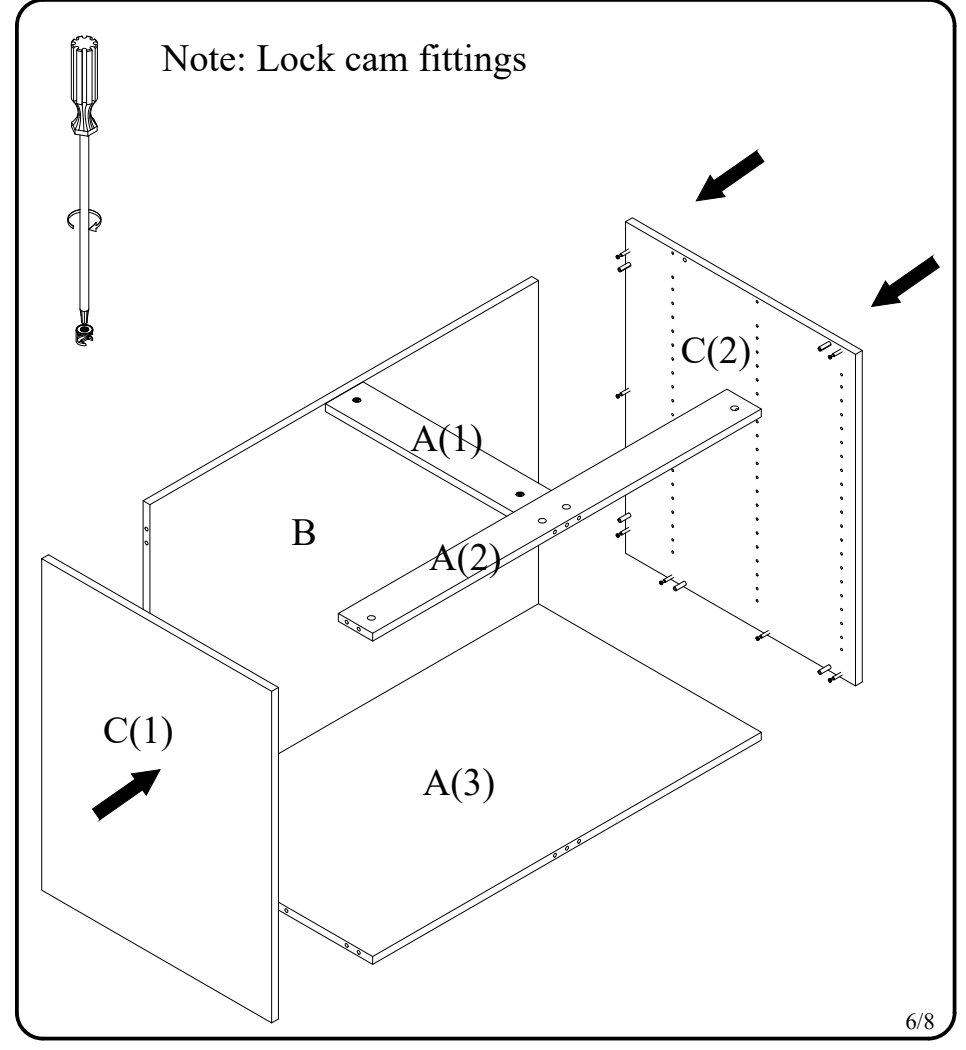
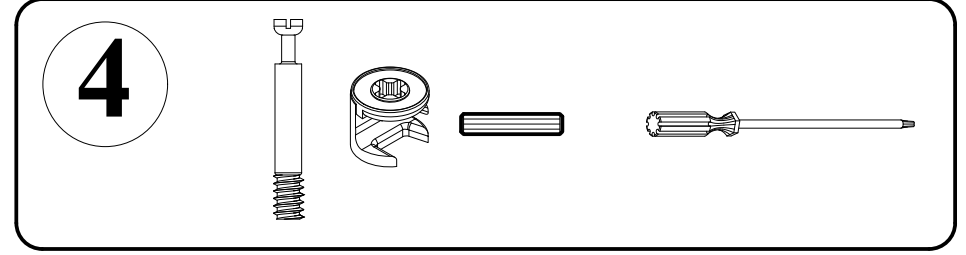
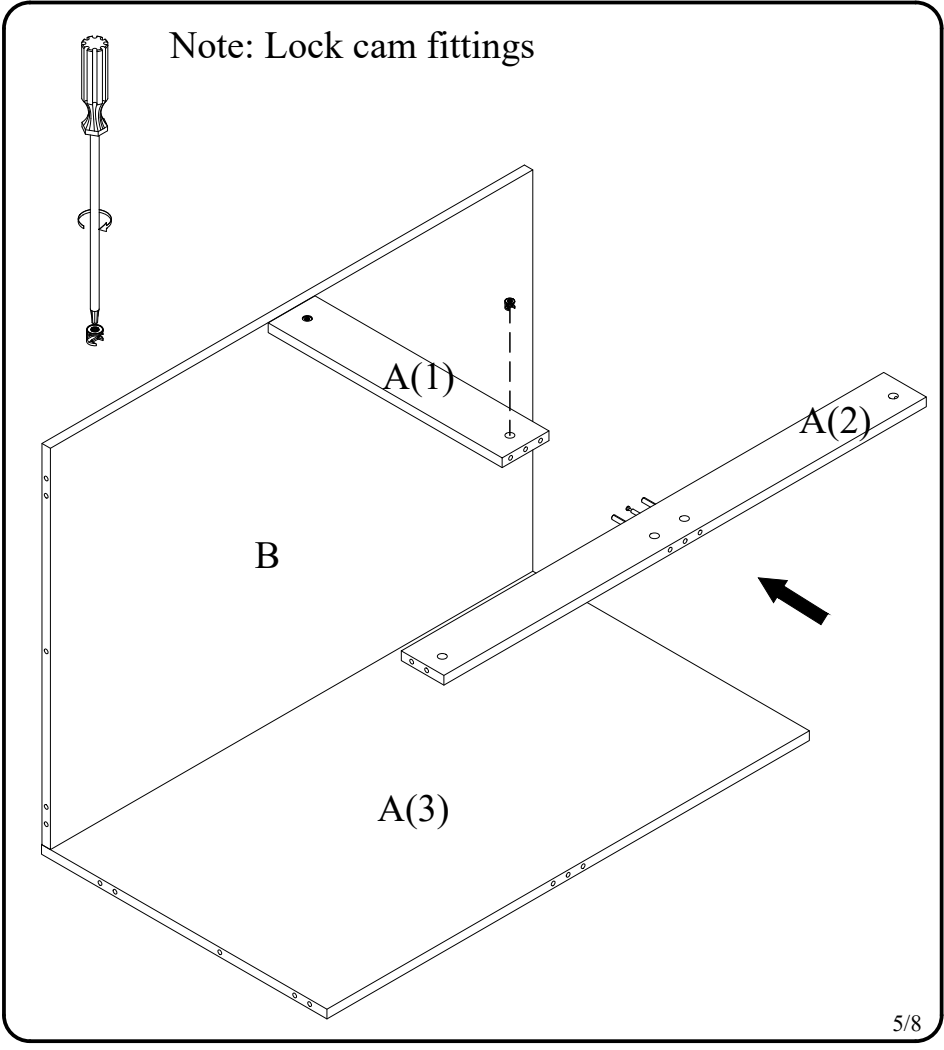
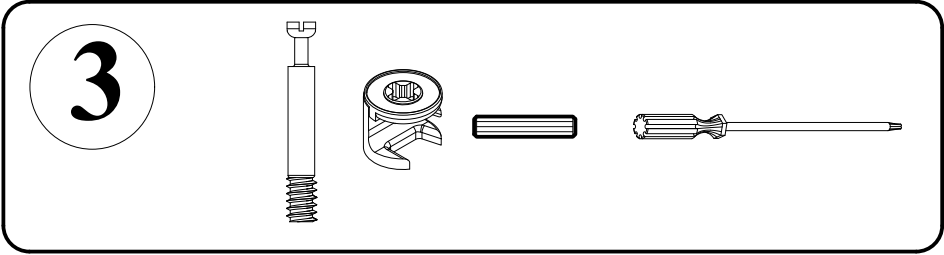
2



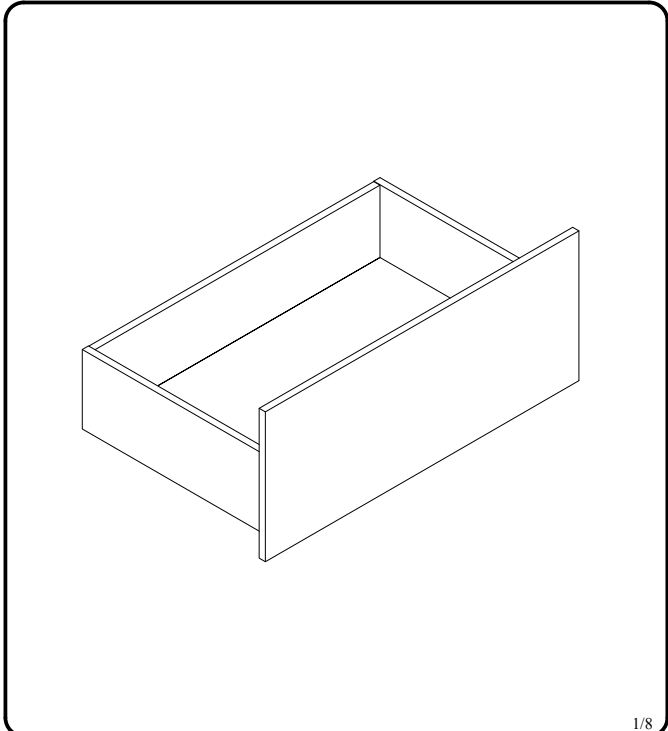
3/8



4/8

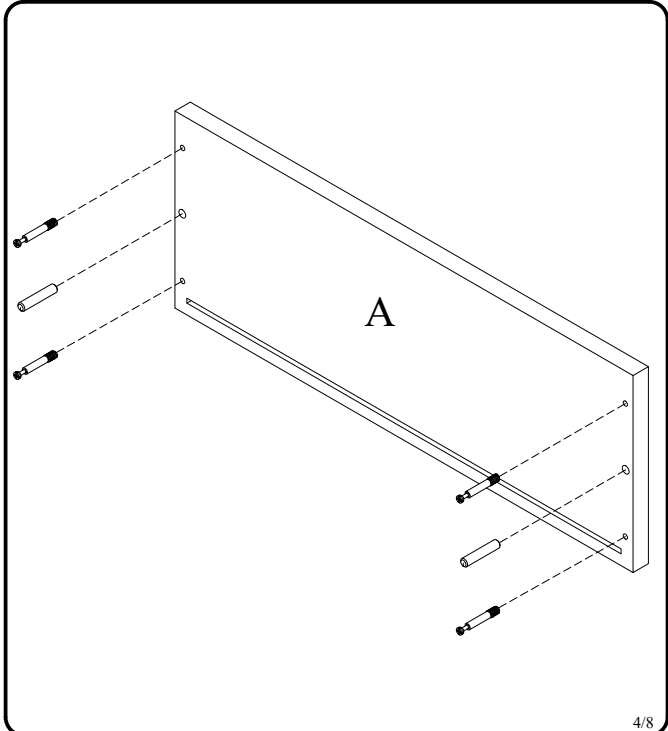
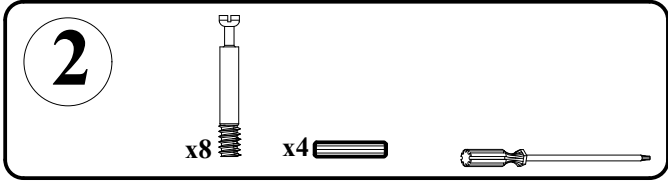
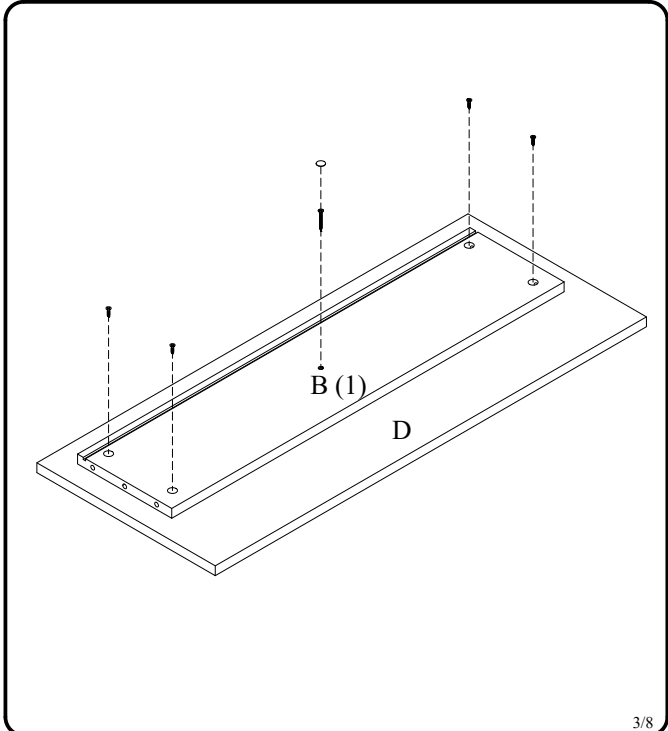
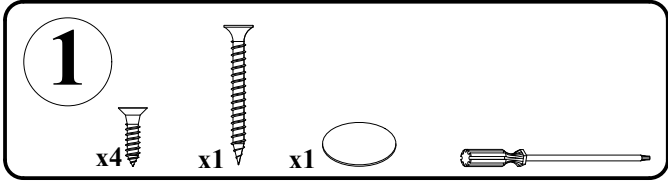
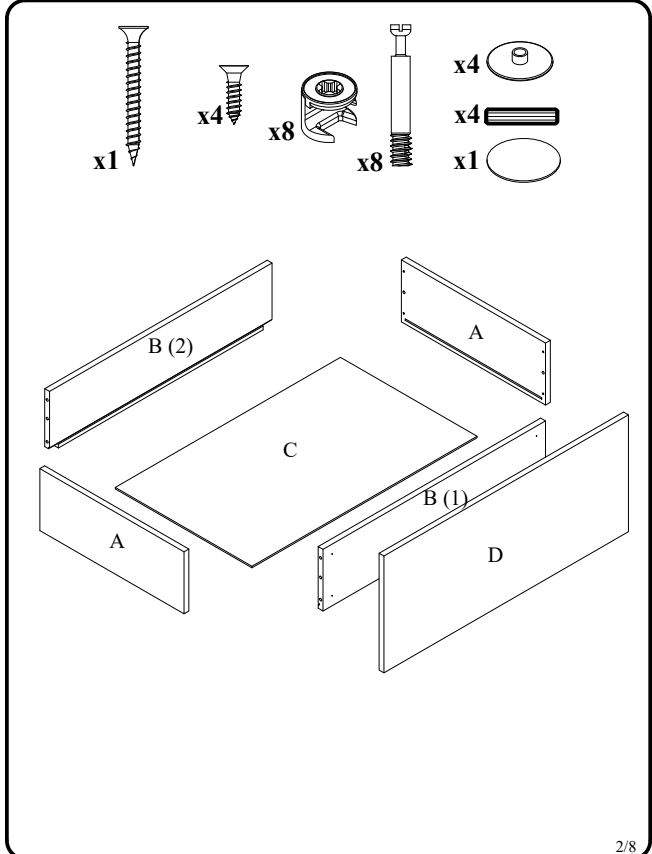


DRAWER DB12-3 -PW  
 DRAWER DB15-3 -PW  
 DRAWER DB18-3 -PW  
 DRAWER DB21-3 -PW  
 DRAWER DB24-3 -PW  
 DRAWER DB30-3 -PW  
 DRAWER DB36-3 -PW



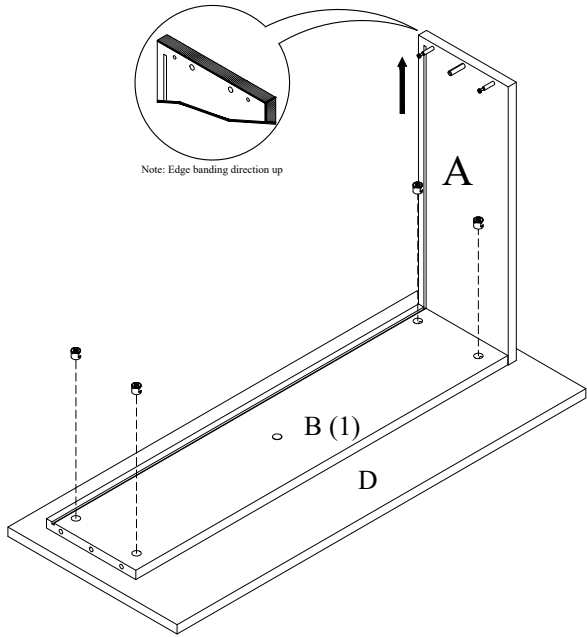
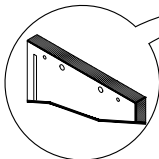
**PARTS**

DB 12-3"; DB 15-3"; DB 18-3"; DB 21-3"; DB 24-3"; DB 30-3"; DB 36-3".



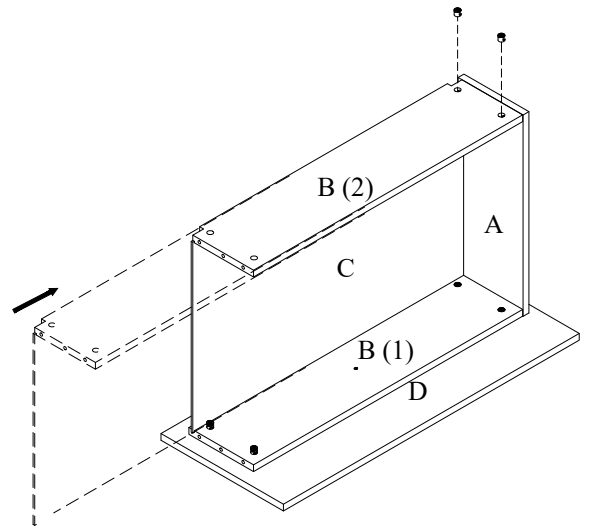


3



5/8

4

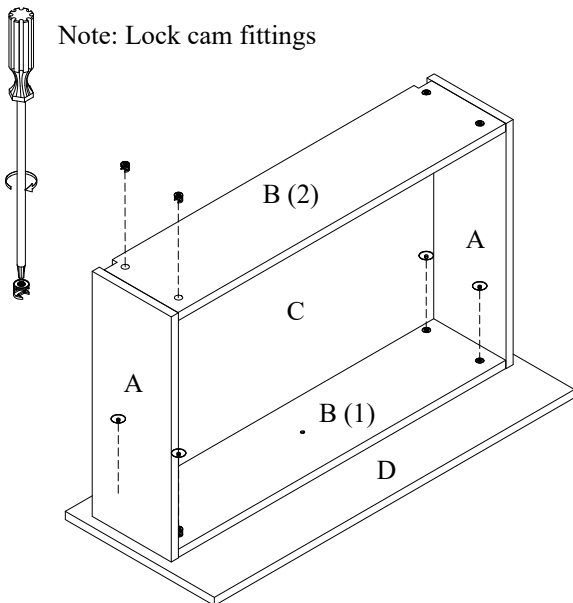


6/8

5



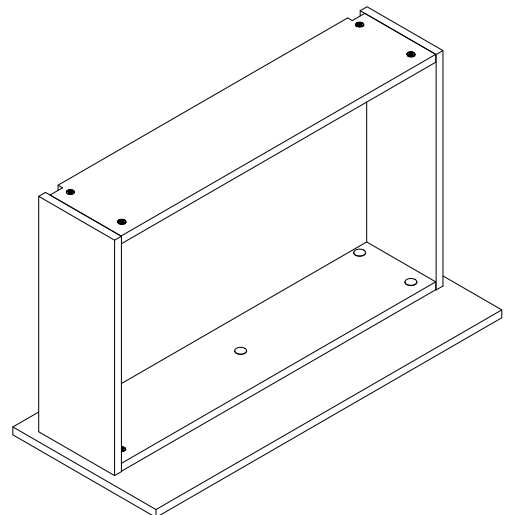
Note: Lock cam fittings



7/8

6

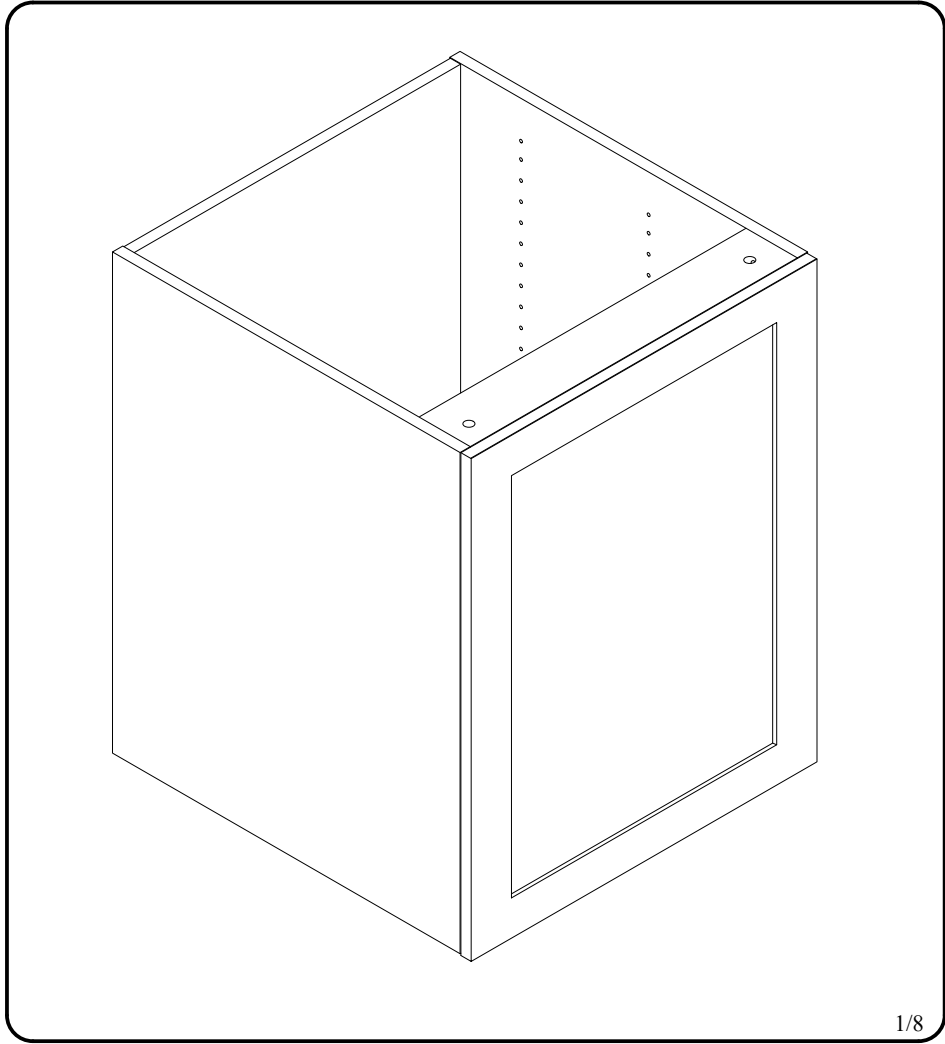
FINISH



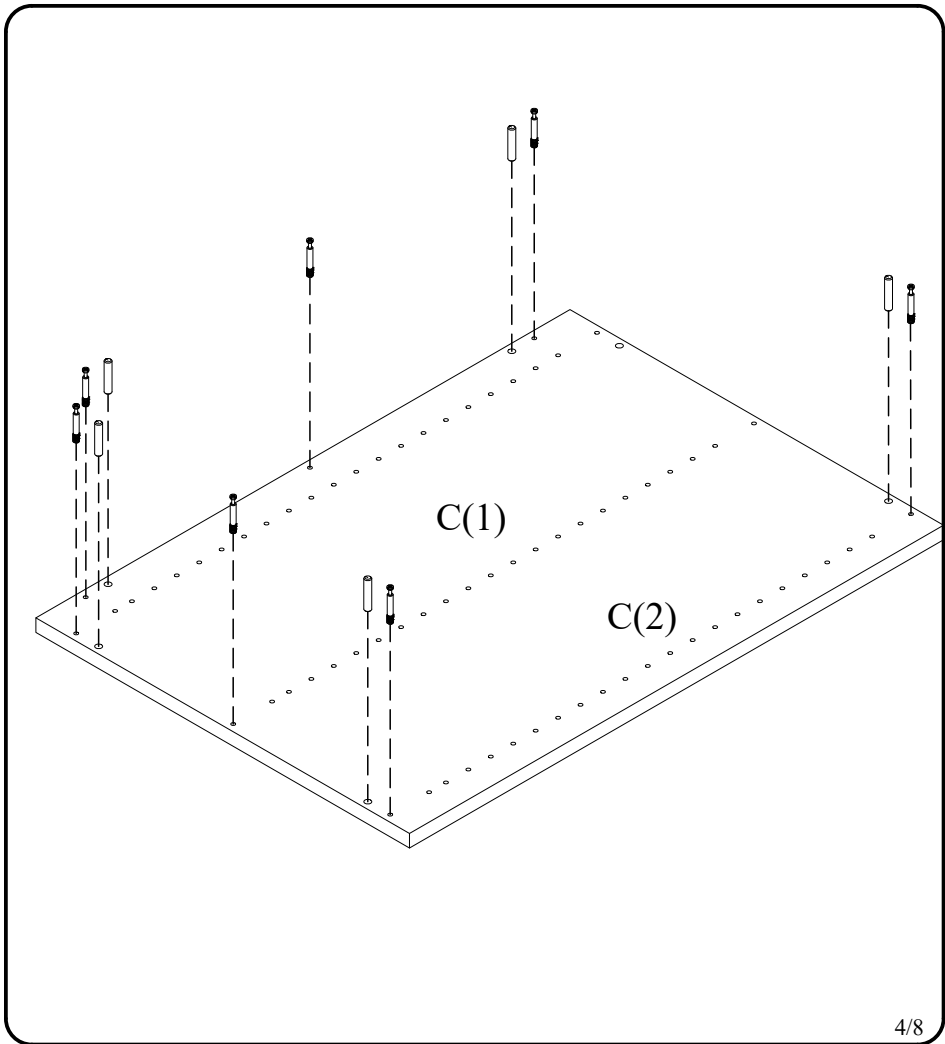
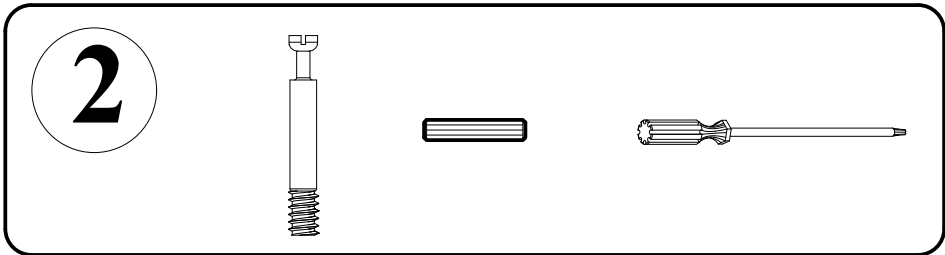
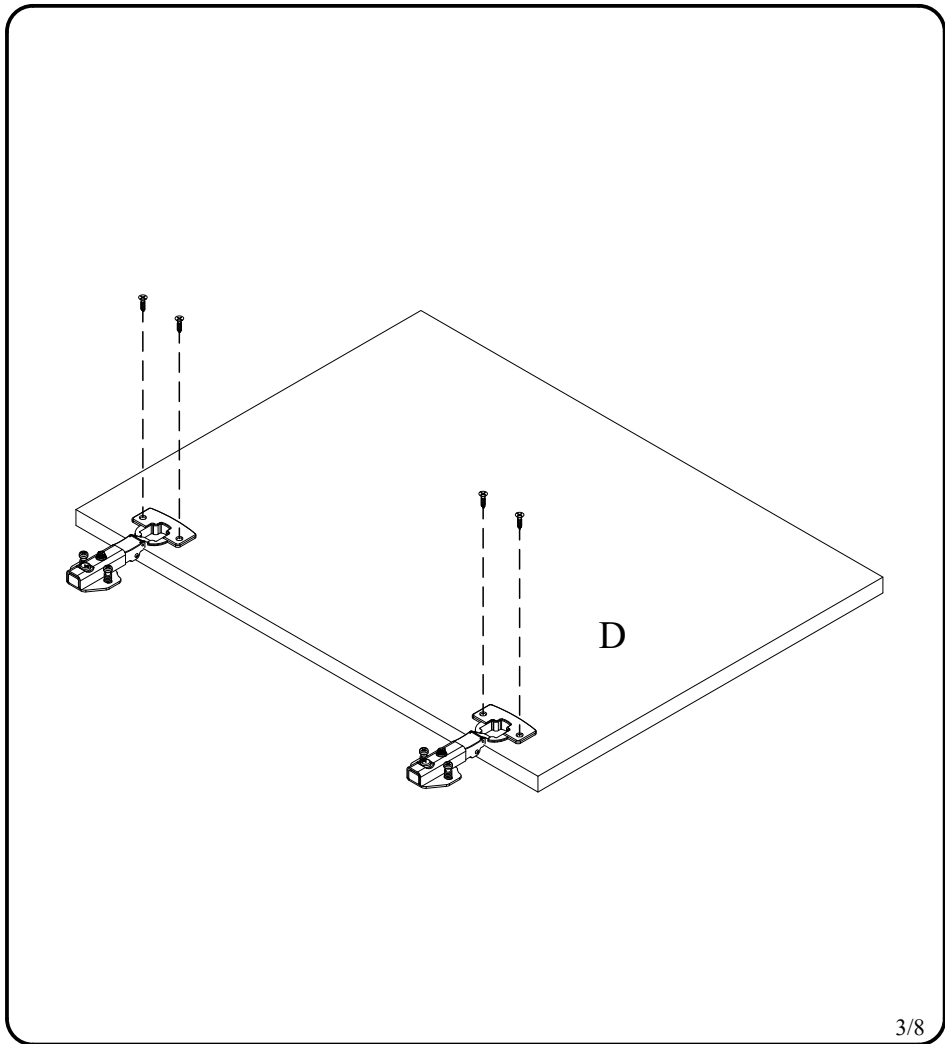
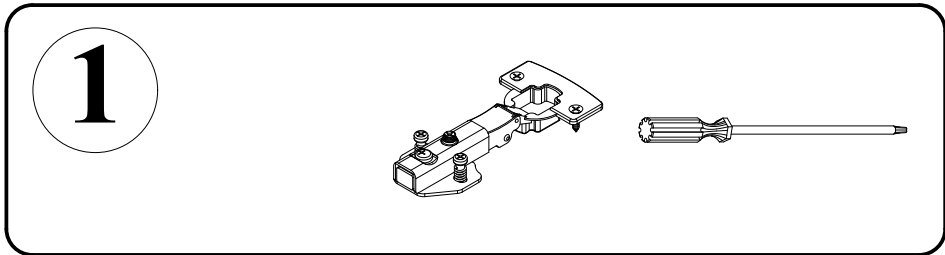
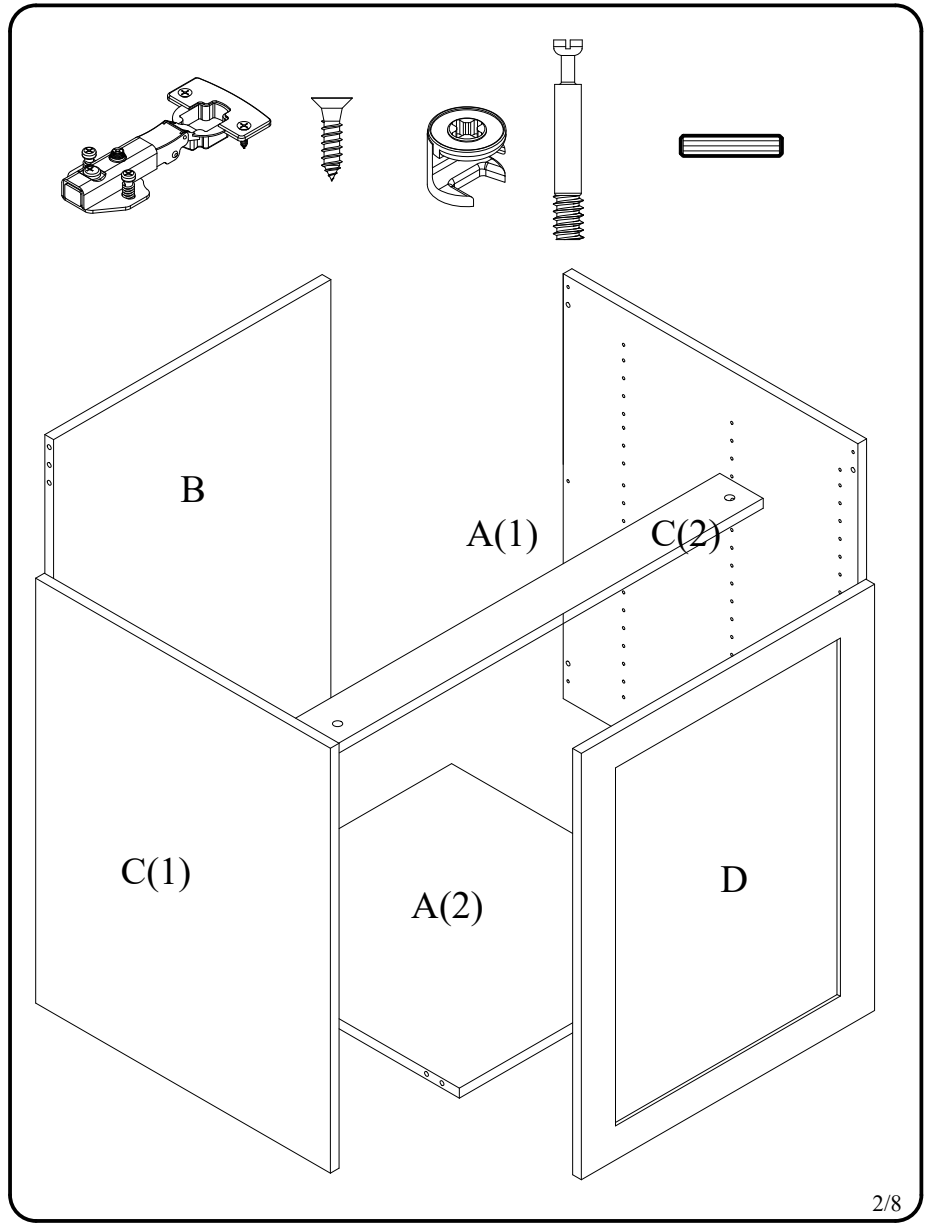
8/8

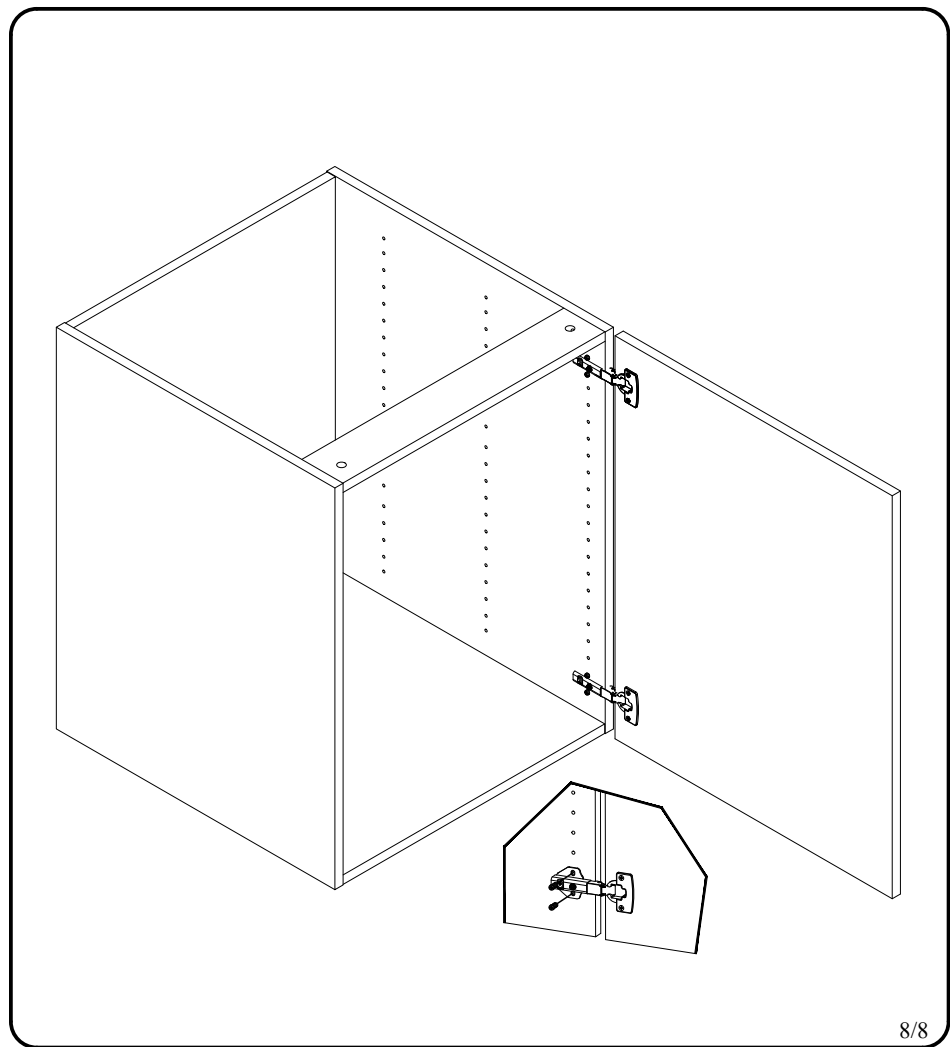
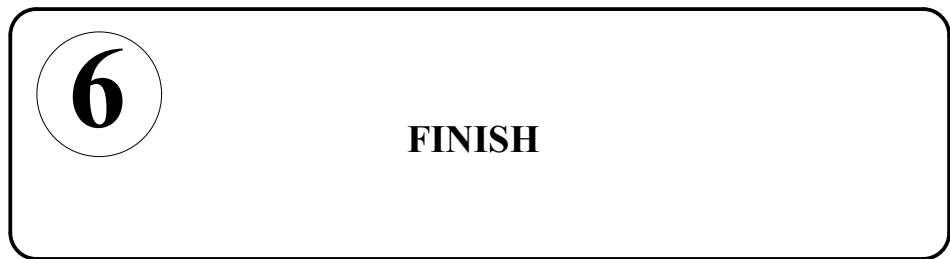
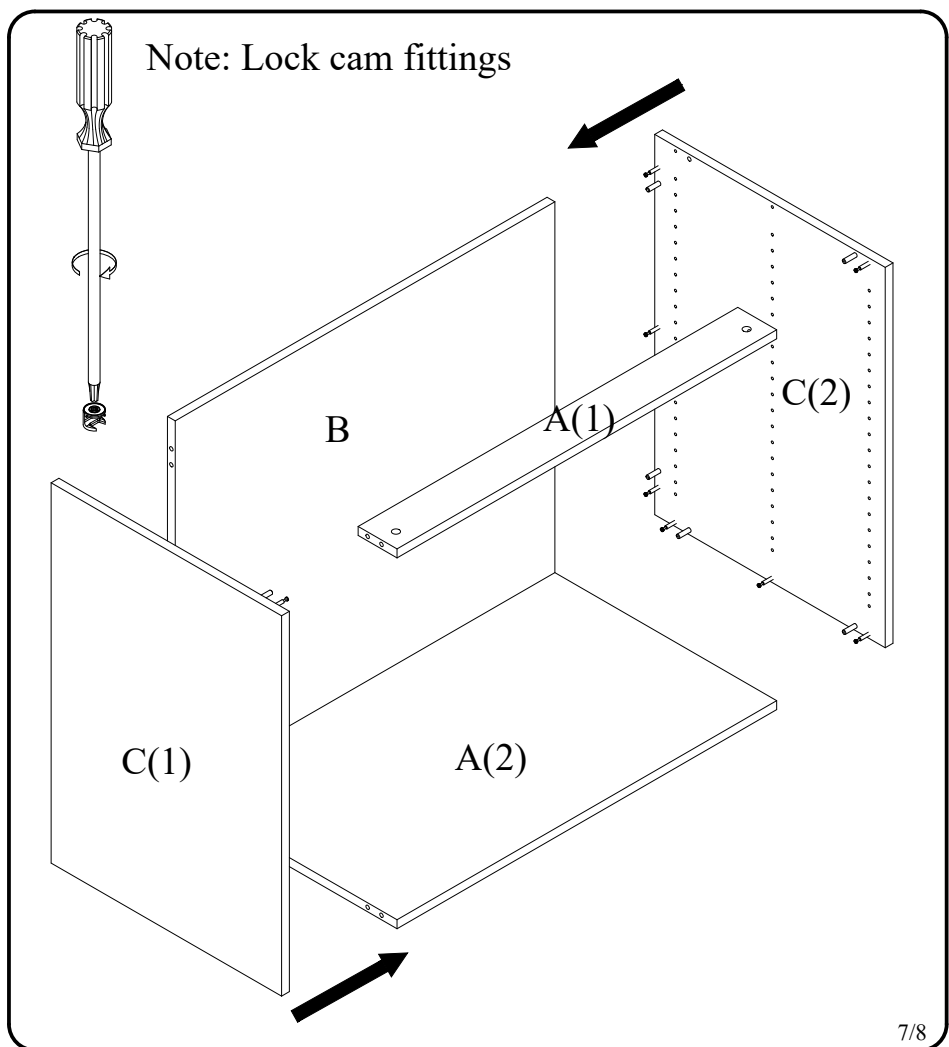
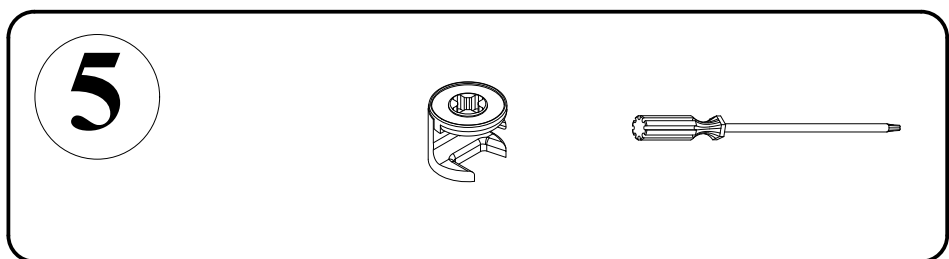
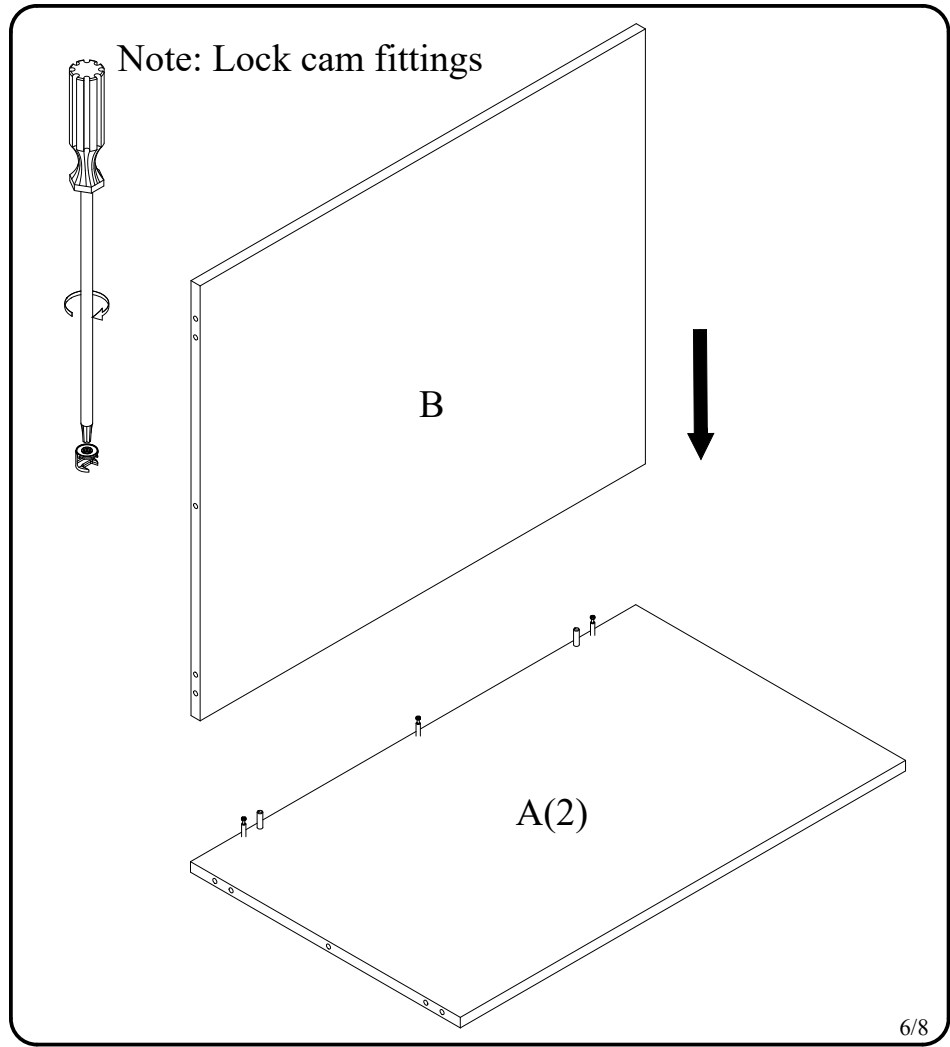
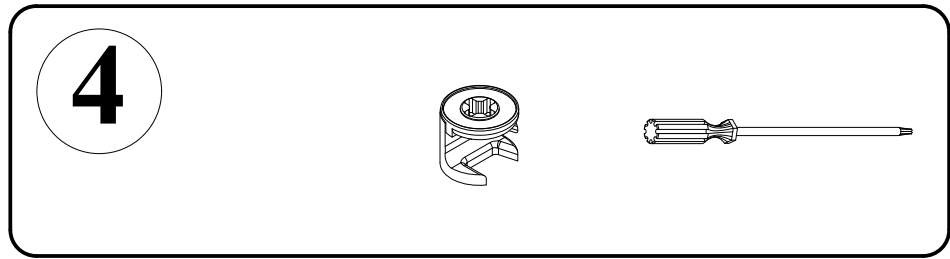
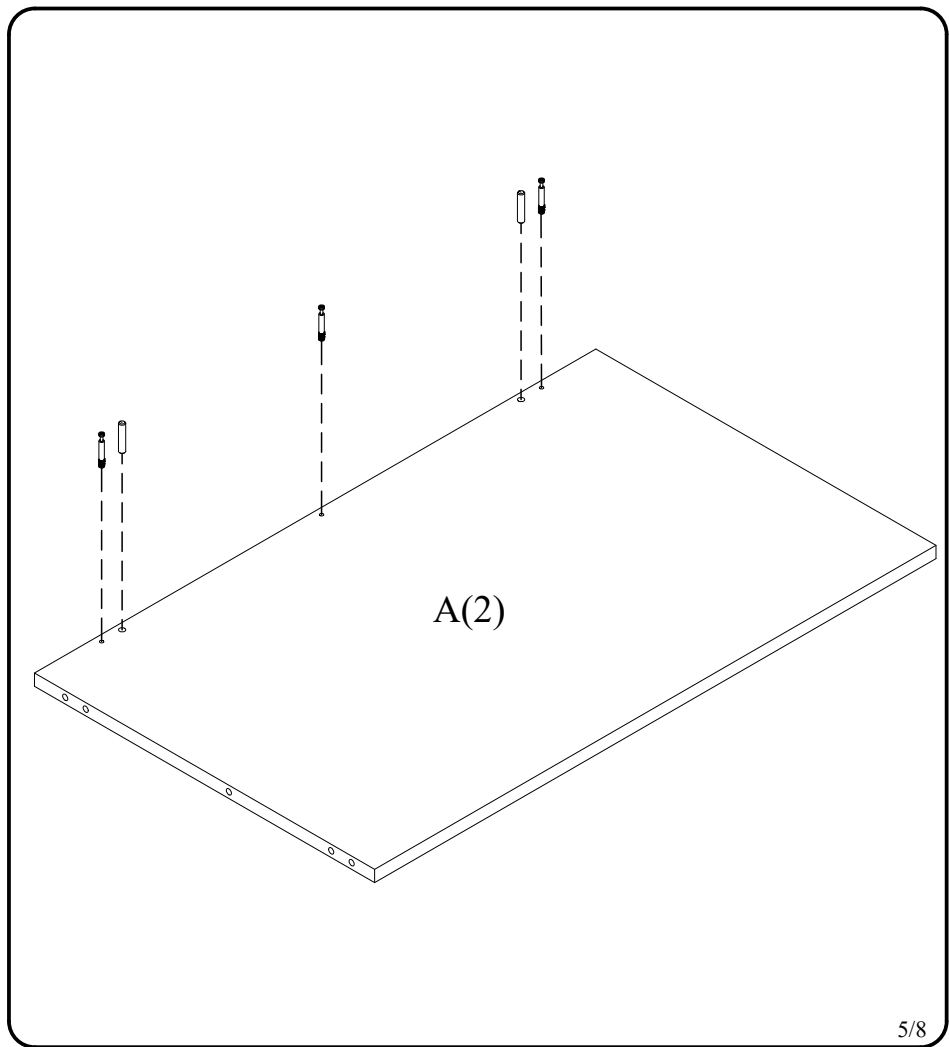
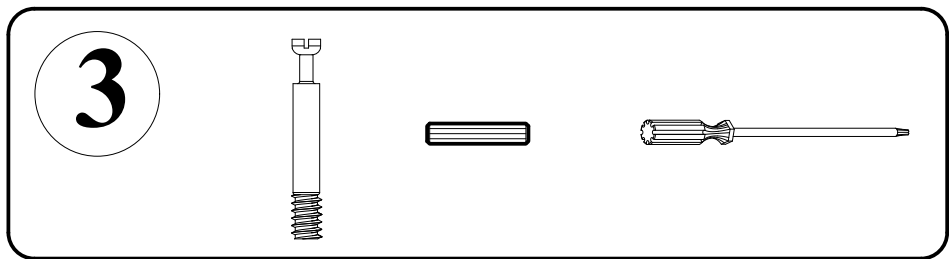
# WALL CABINET

- VDB 12"34 1/2"21"
- VDB 15"34 1/2"21"
- VDB 18"34 1/2"21"
- VDB 21"34 1/2"21"
- VDB 24"34 1/2"21"



# PARTS





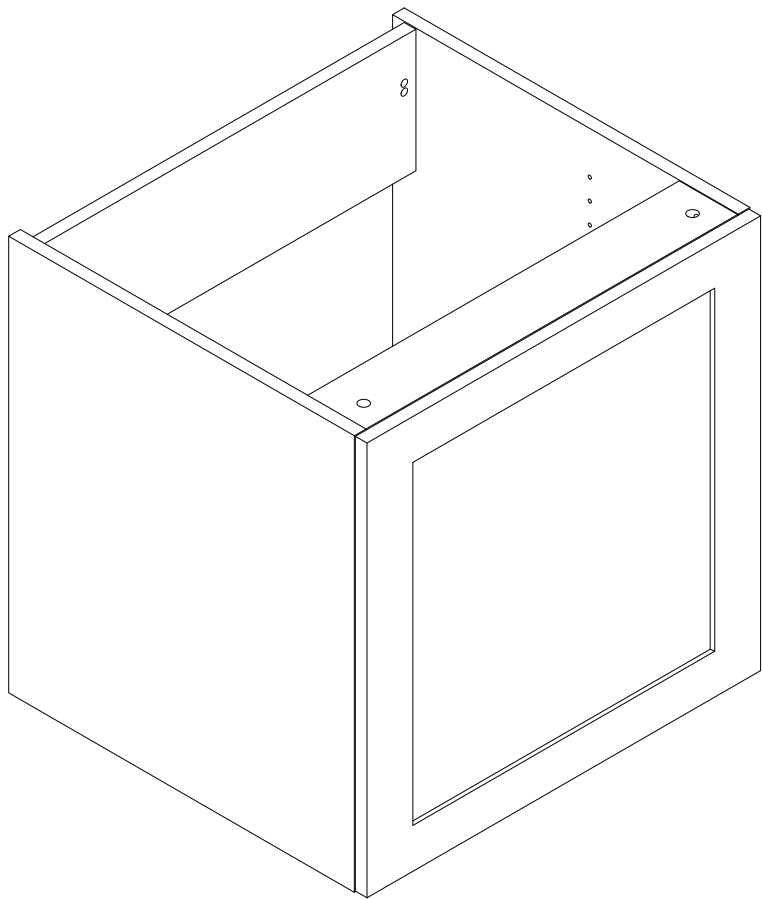
# WALL CABINET

FVDB 12"24"21"

FVDB 15"24"21"

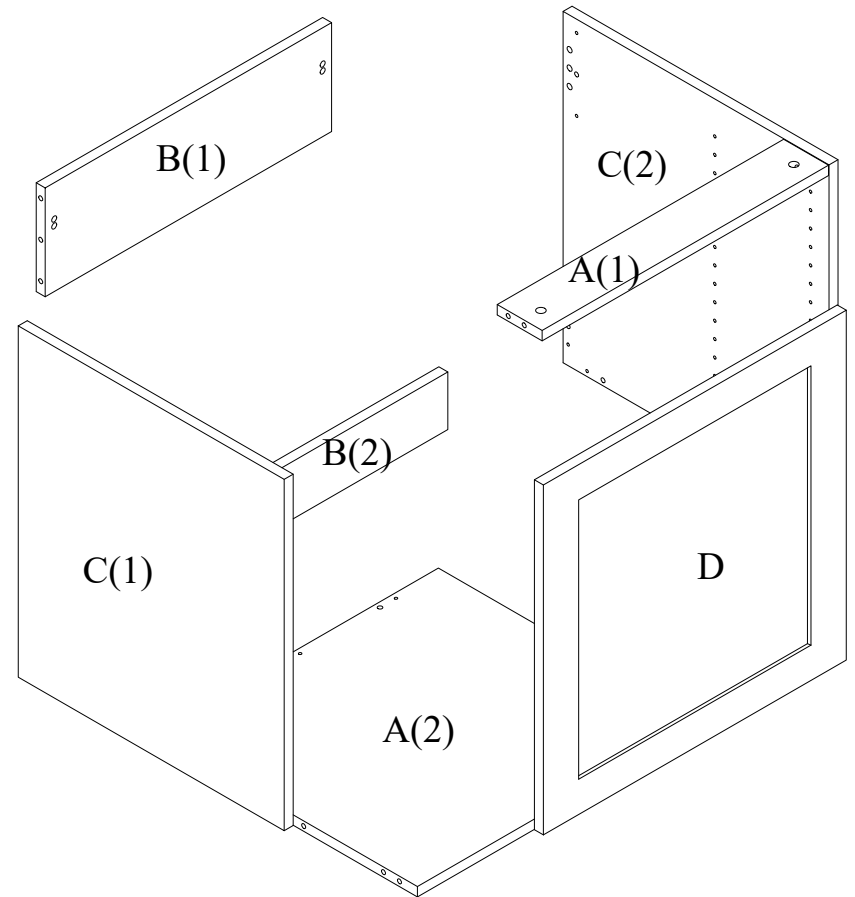
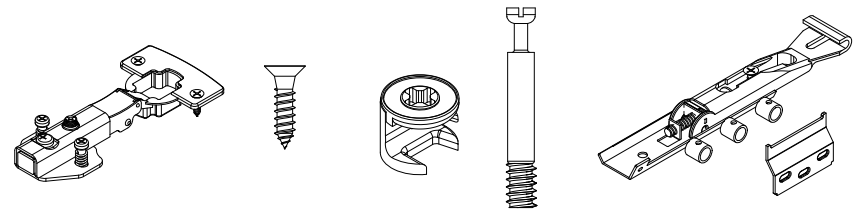
FVDB 18"24"21"

FVDB 24"24"21"



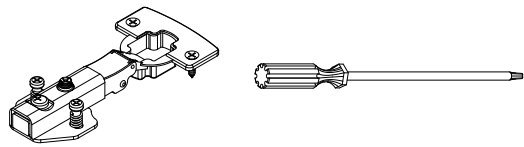
1/8

## PARTS

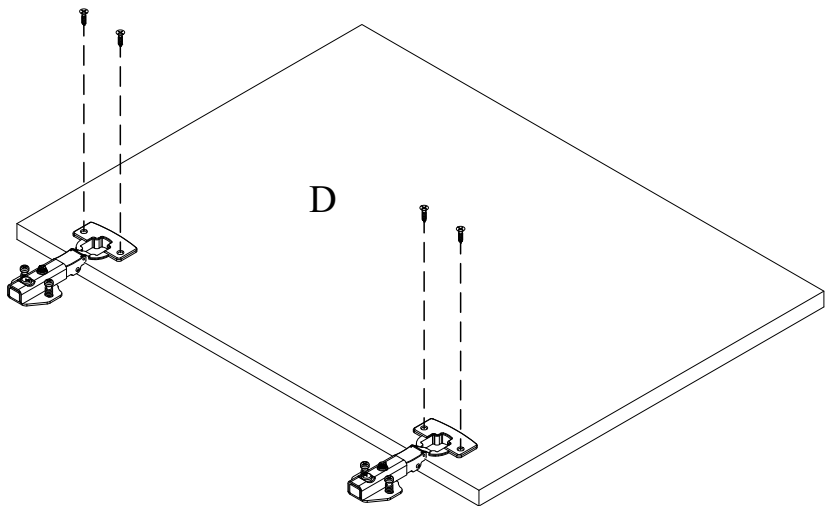
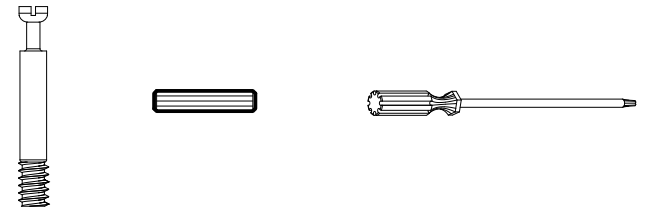


2/8

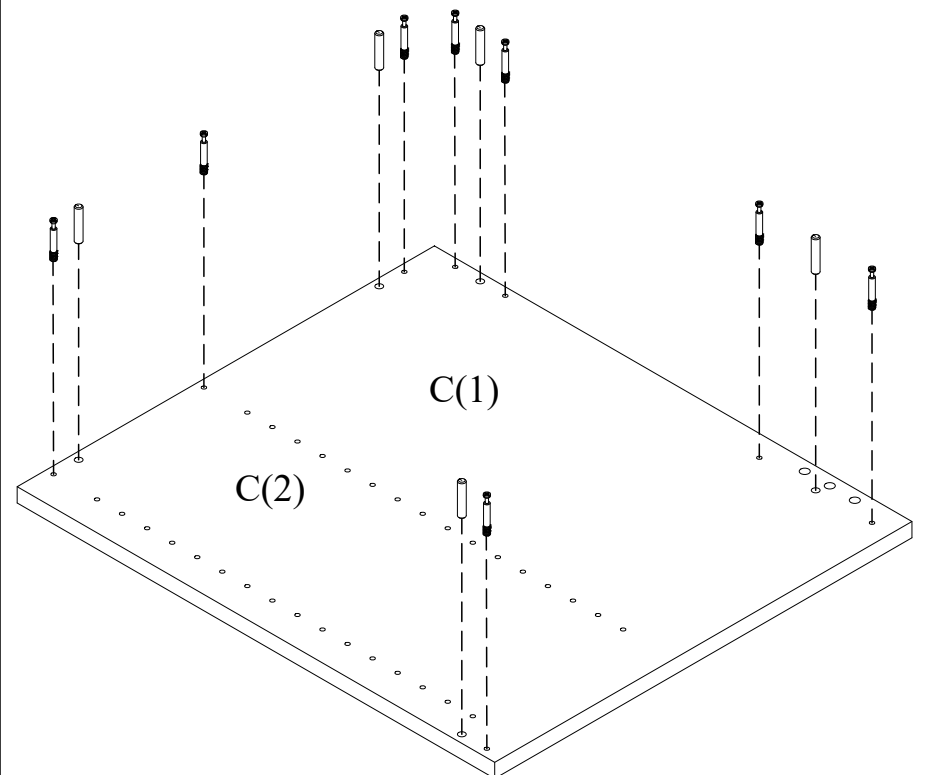
1



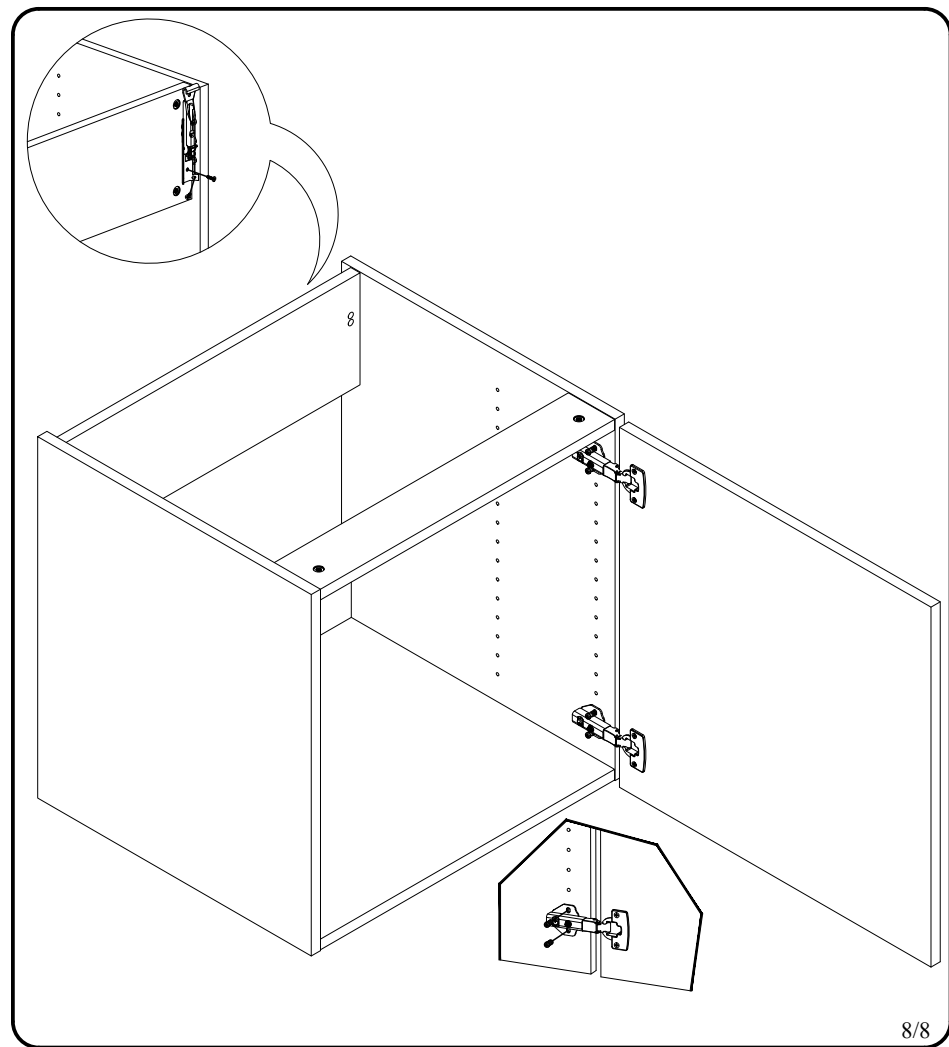
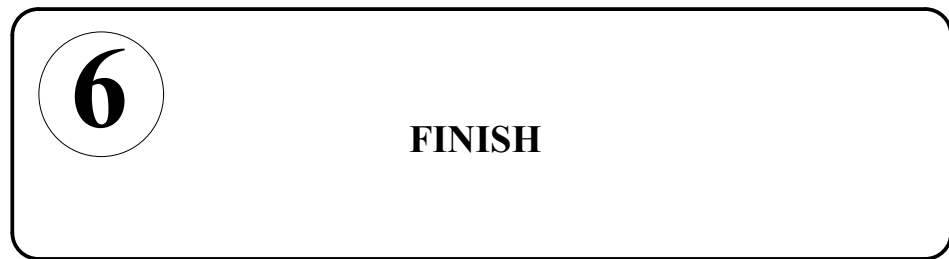
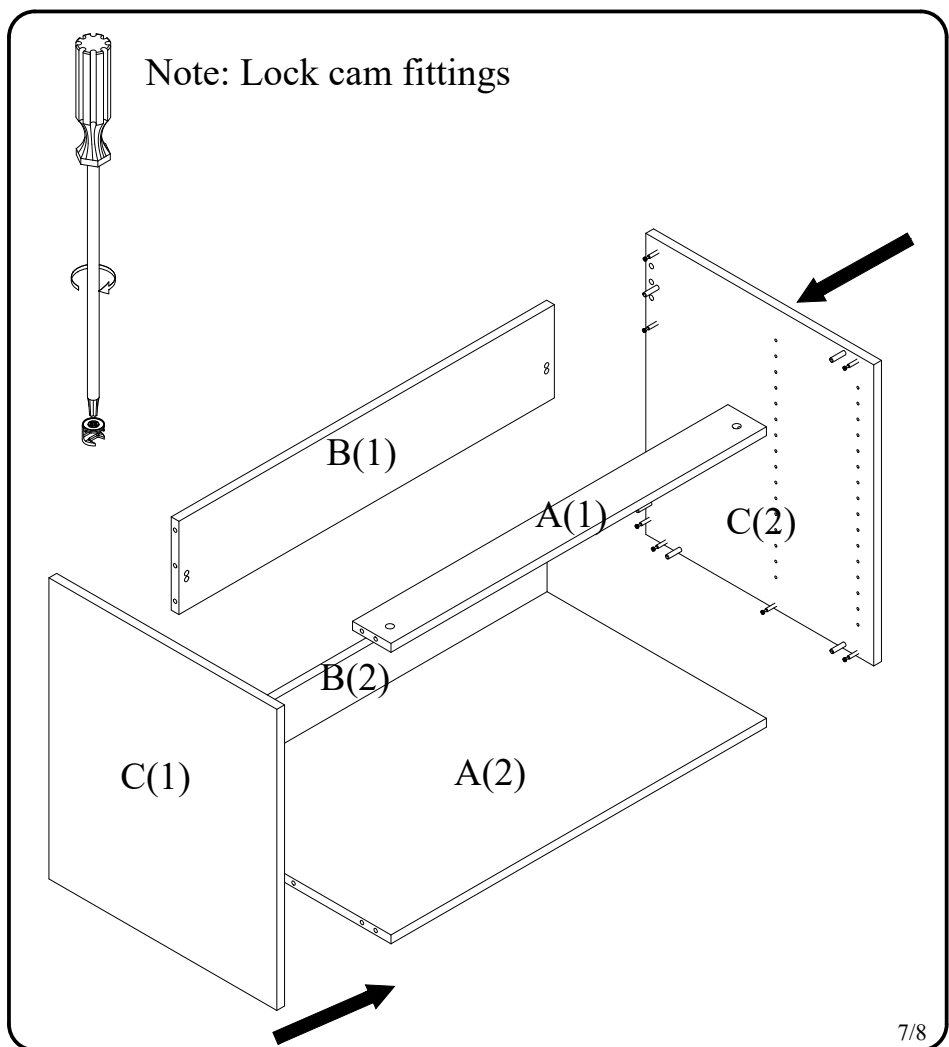
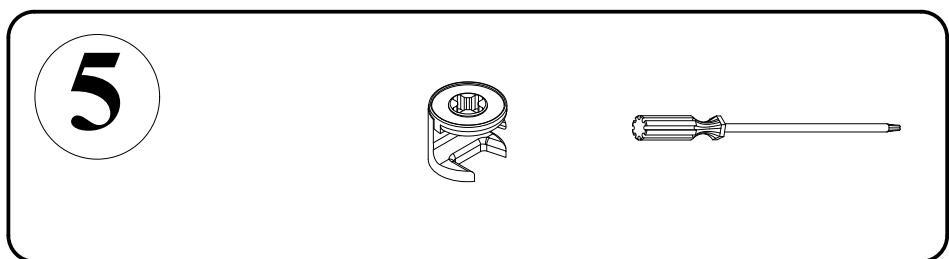
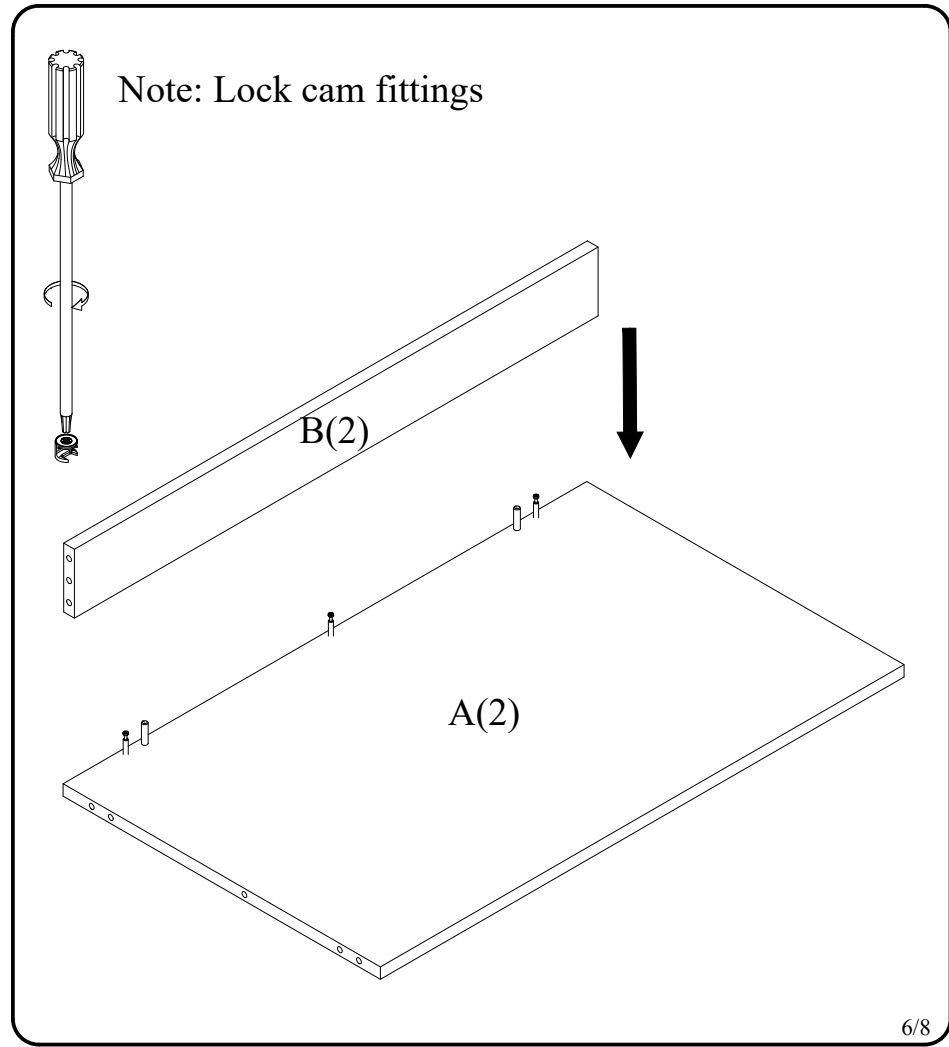
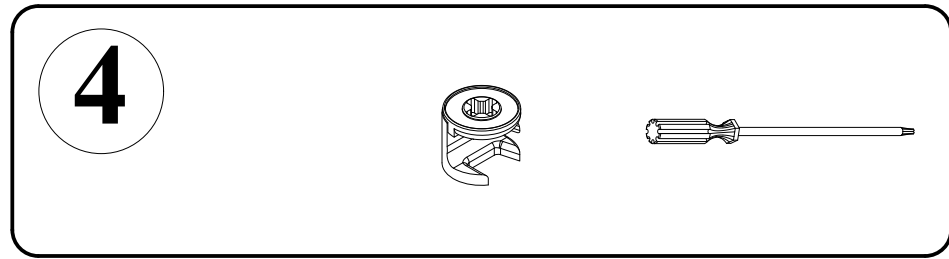
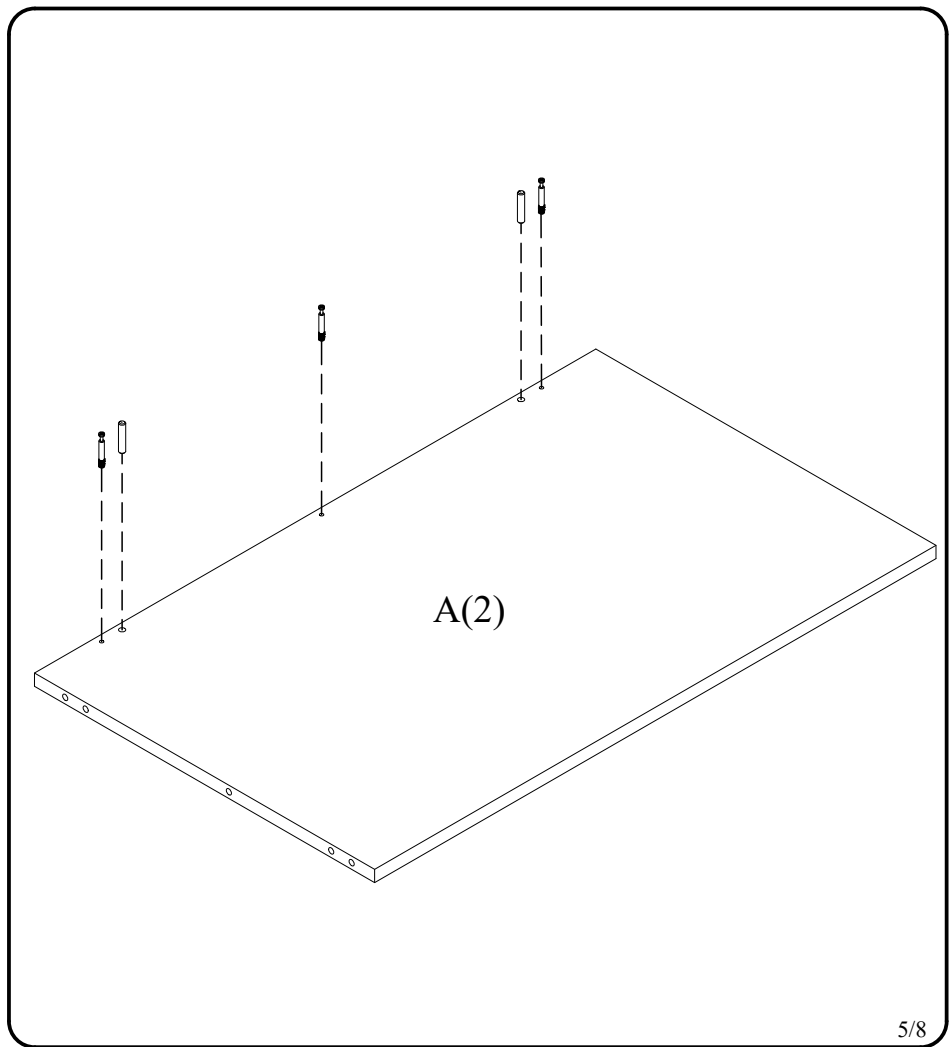
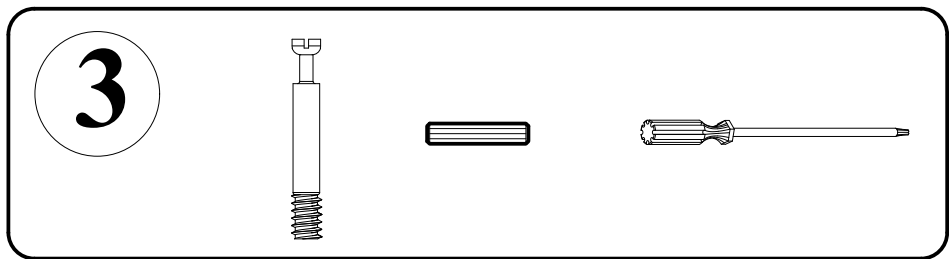
2



3/8

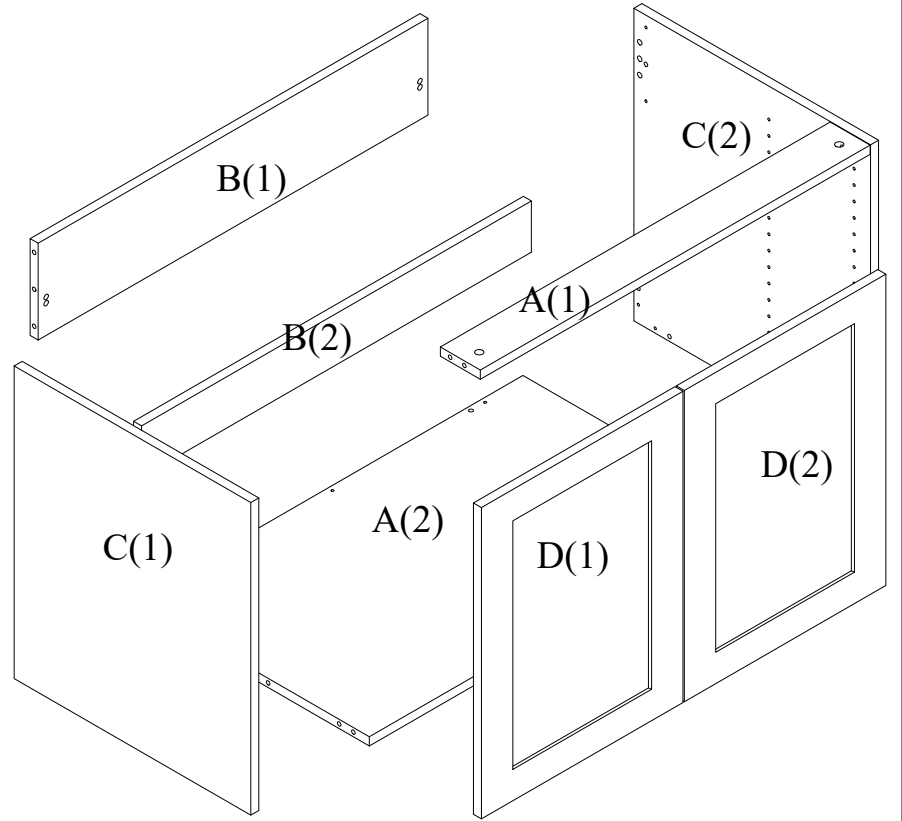
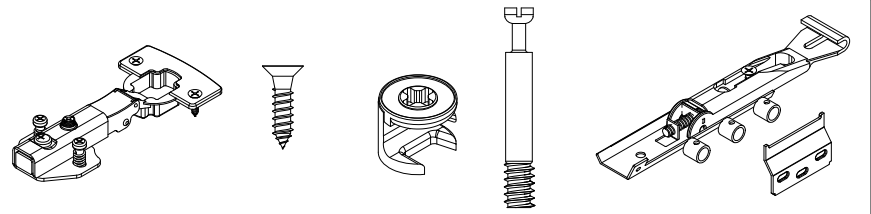
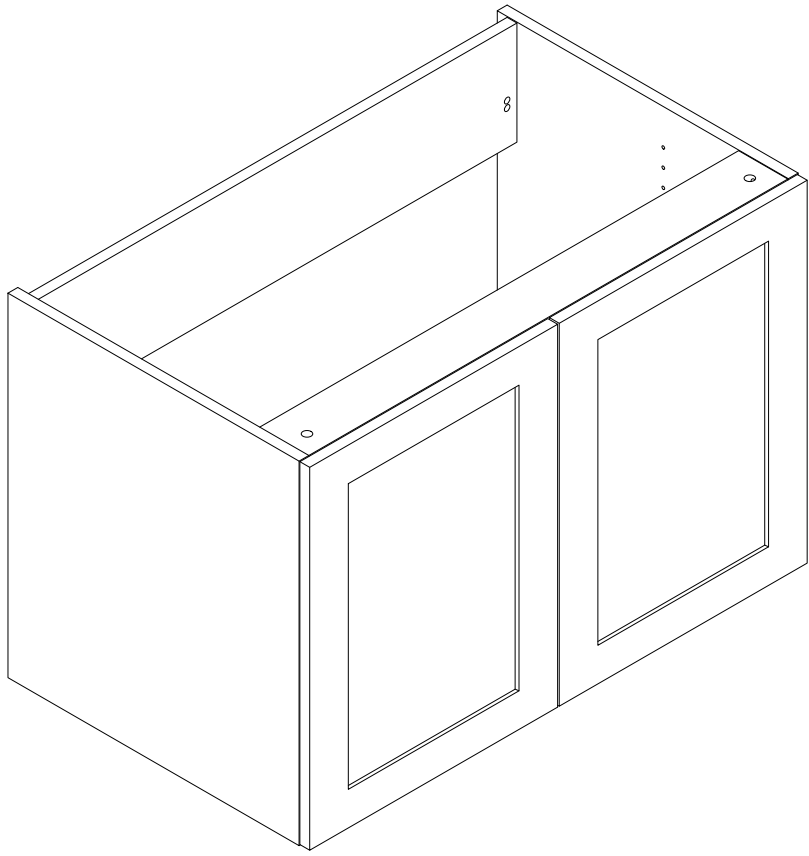


4/8



WALL CABINET  
 FVDB 30"24"21"  
 FVDB 36"24"21"

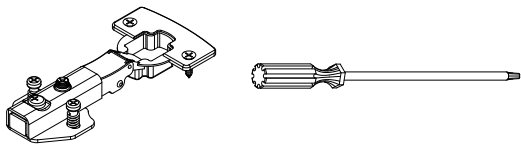
PARTS



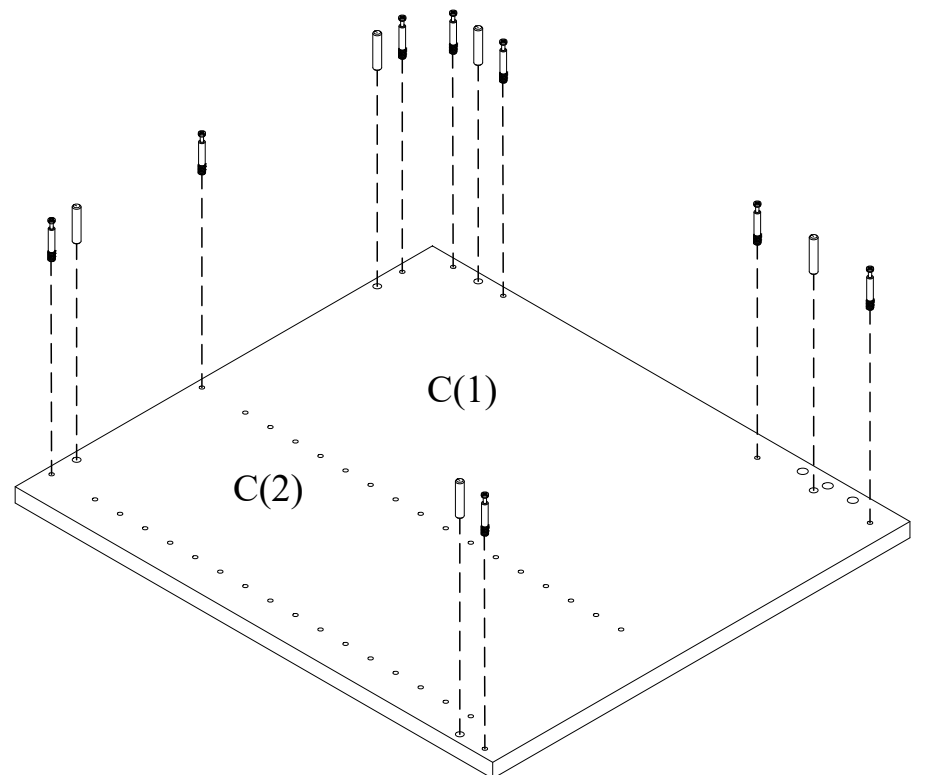
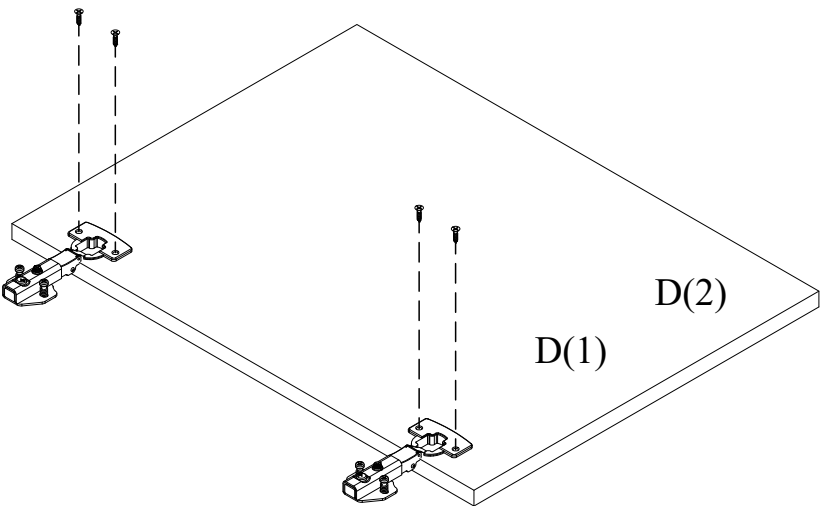
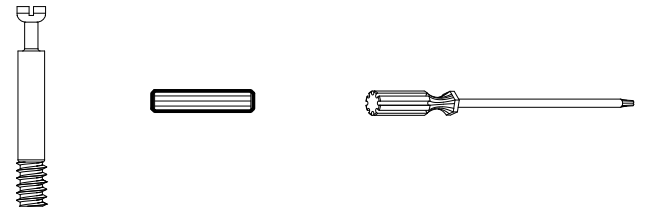
1/8

2/8

1

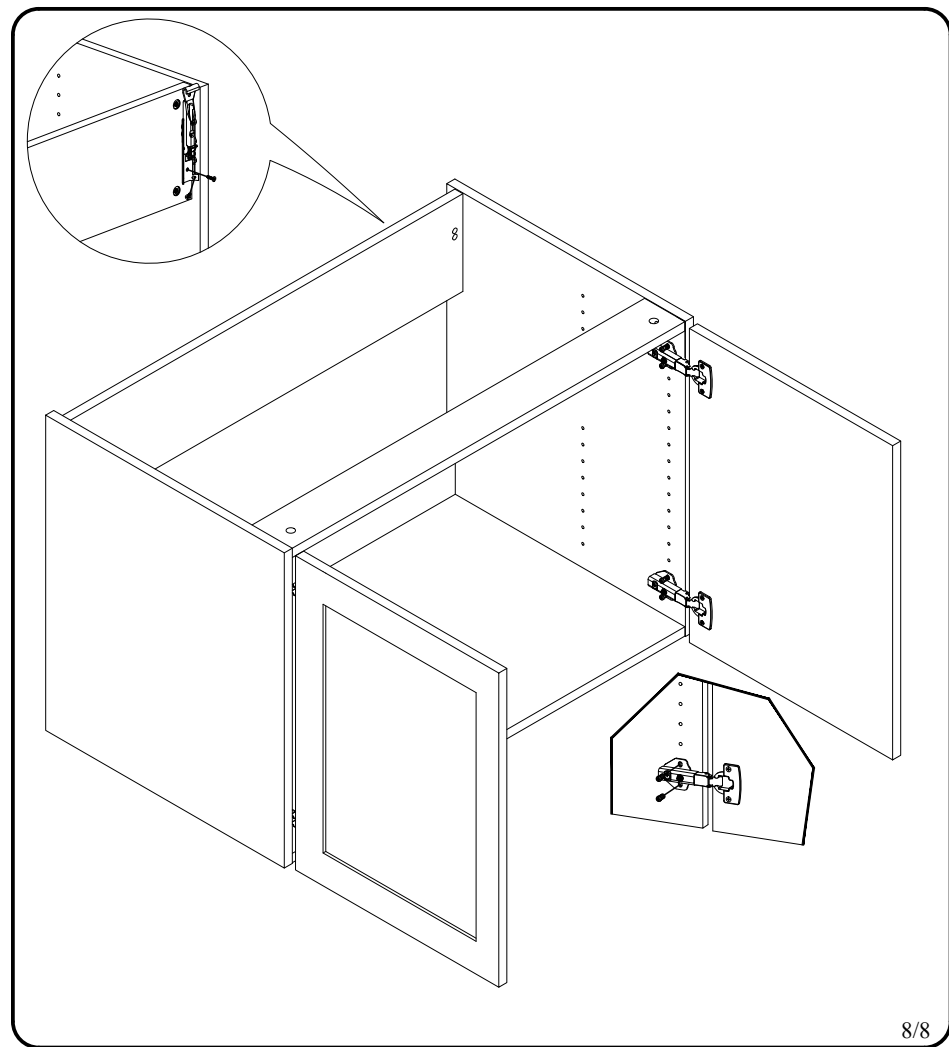
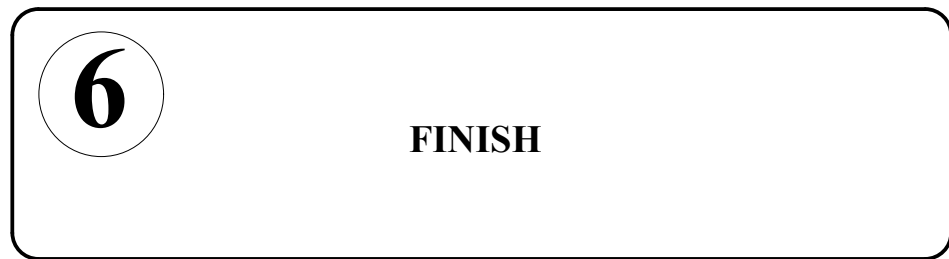
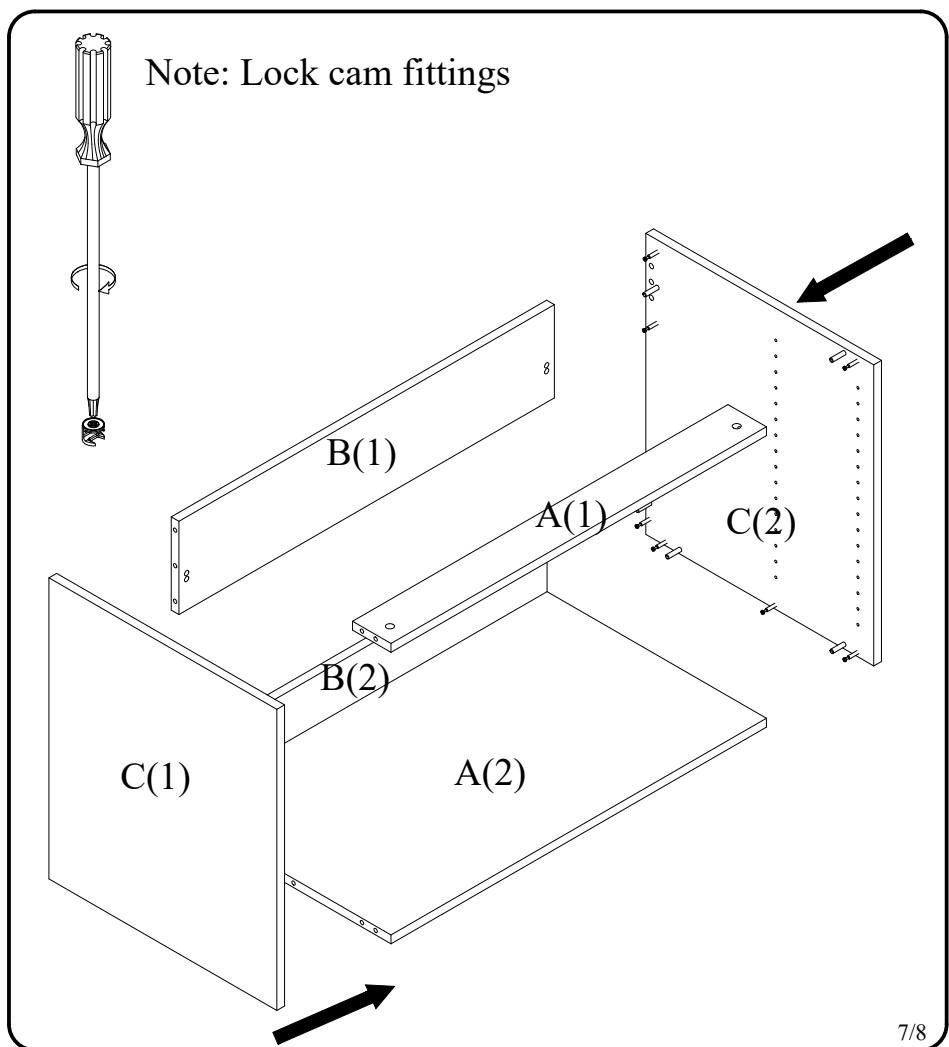
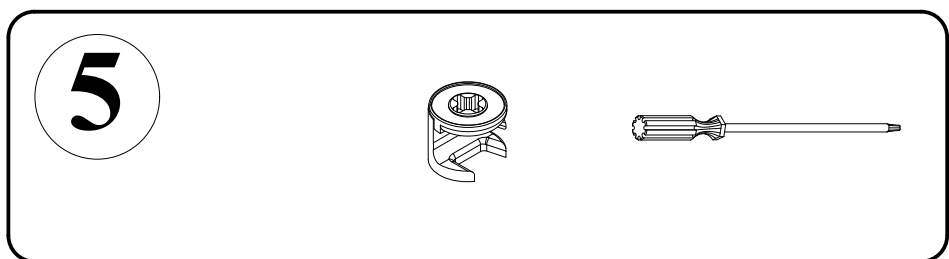
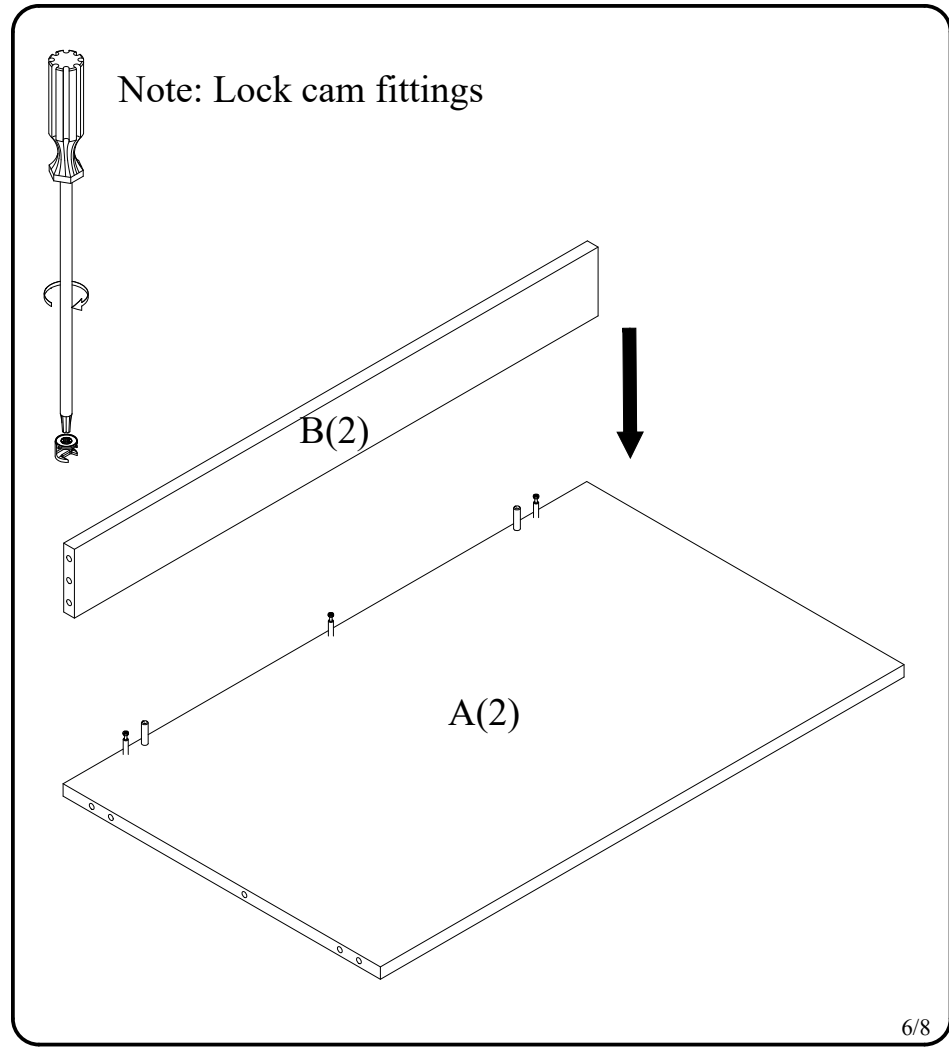
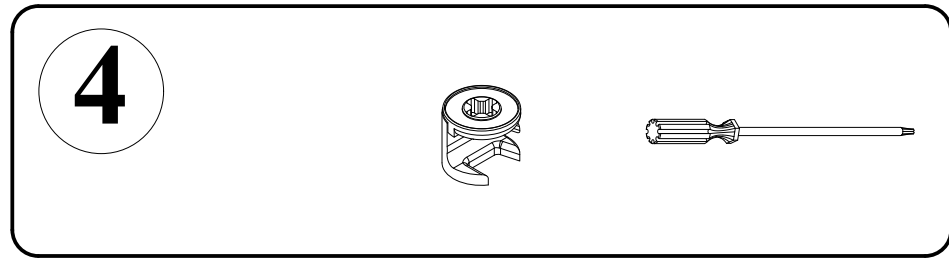
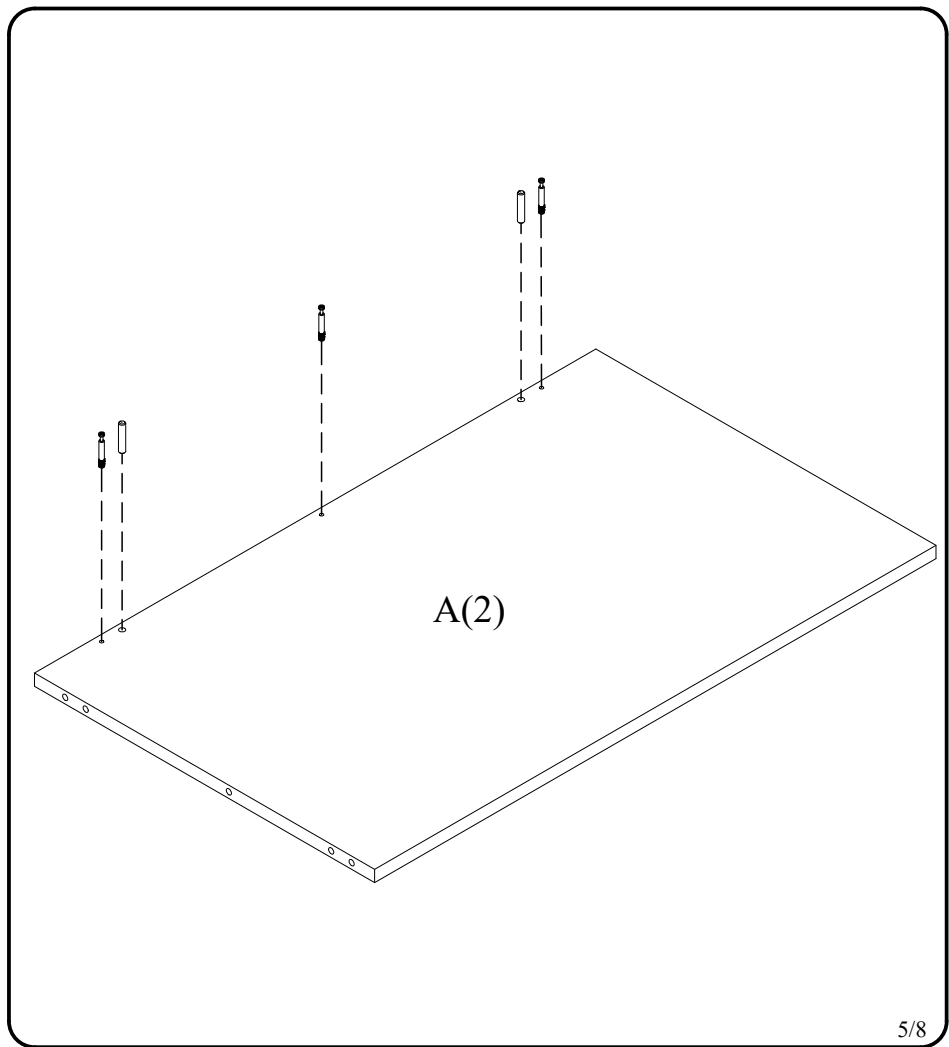
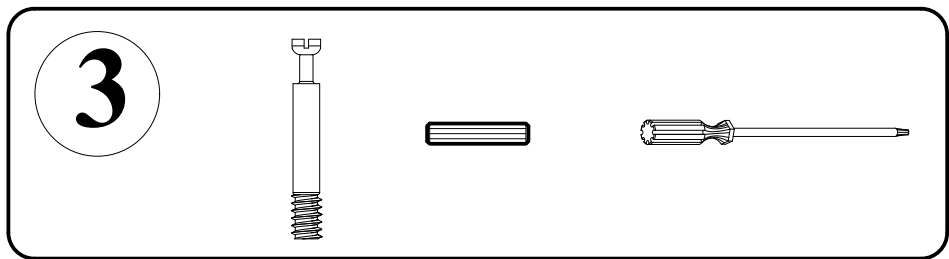


2



3/8

4/8



# WALL CABINET

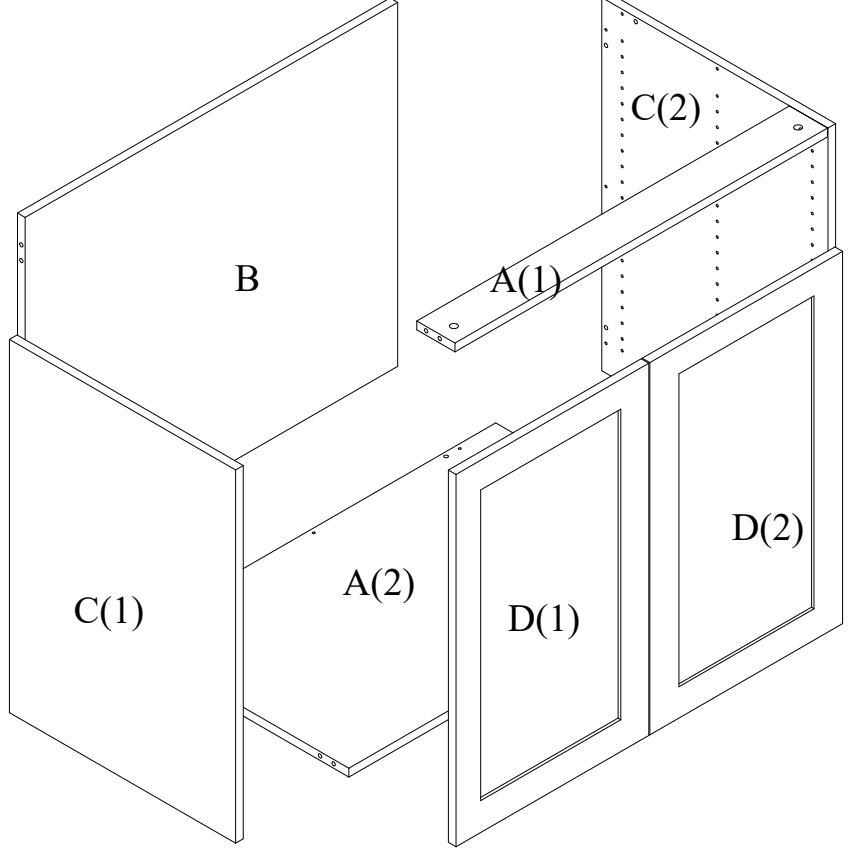
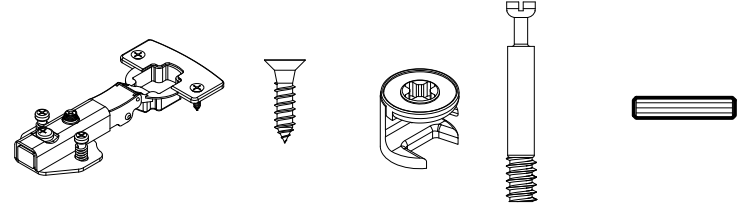
VDB 27"34 1/2"21"

VDB 30"34 1/2"21"

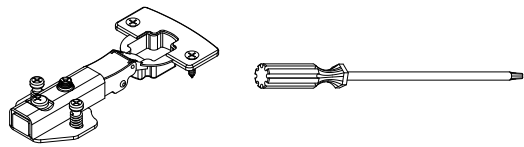
VDB 33"34 1/2"21"

VDB 36"34 1/2"21"

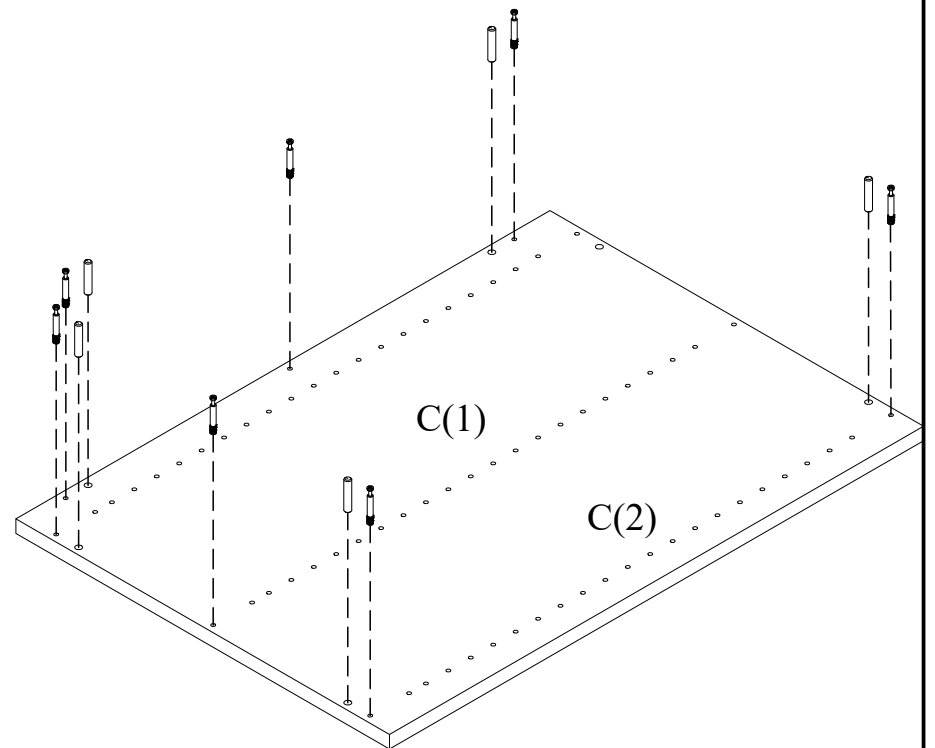
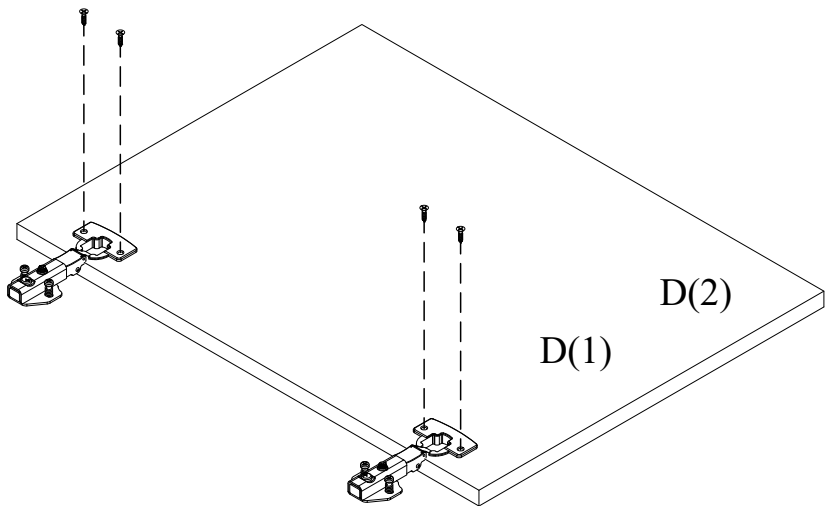
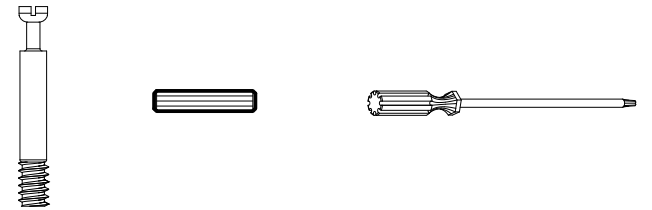
# PARTS



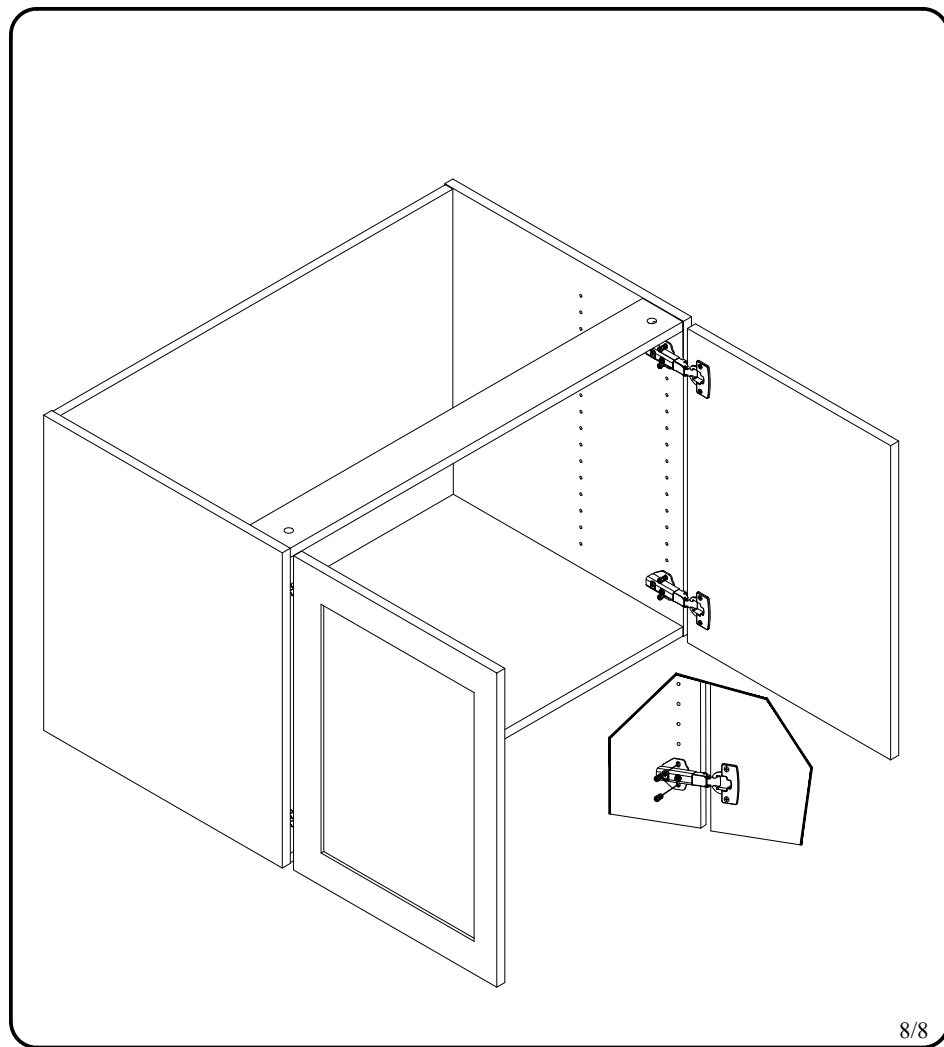
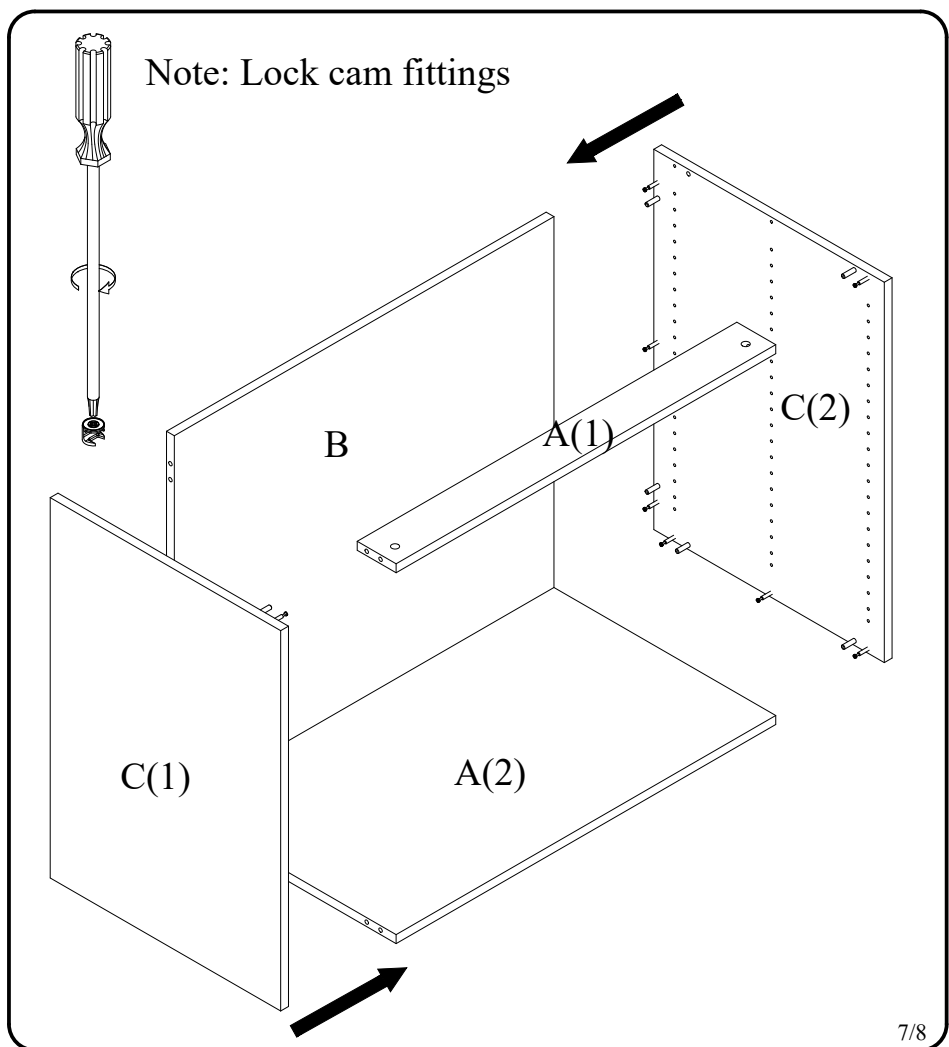
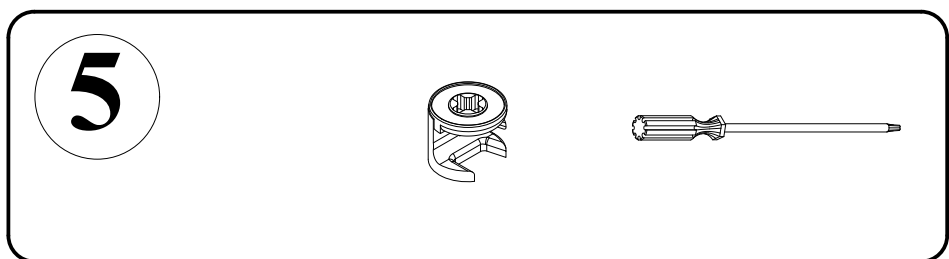
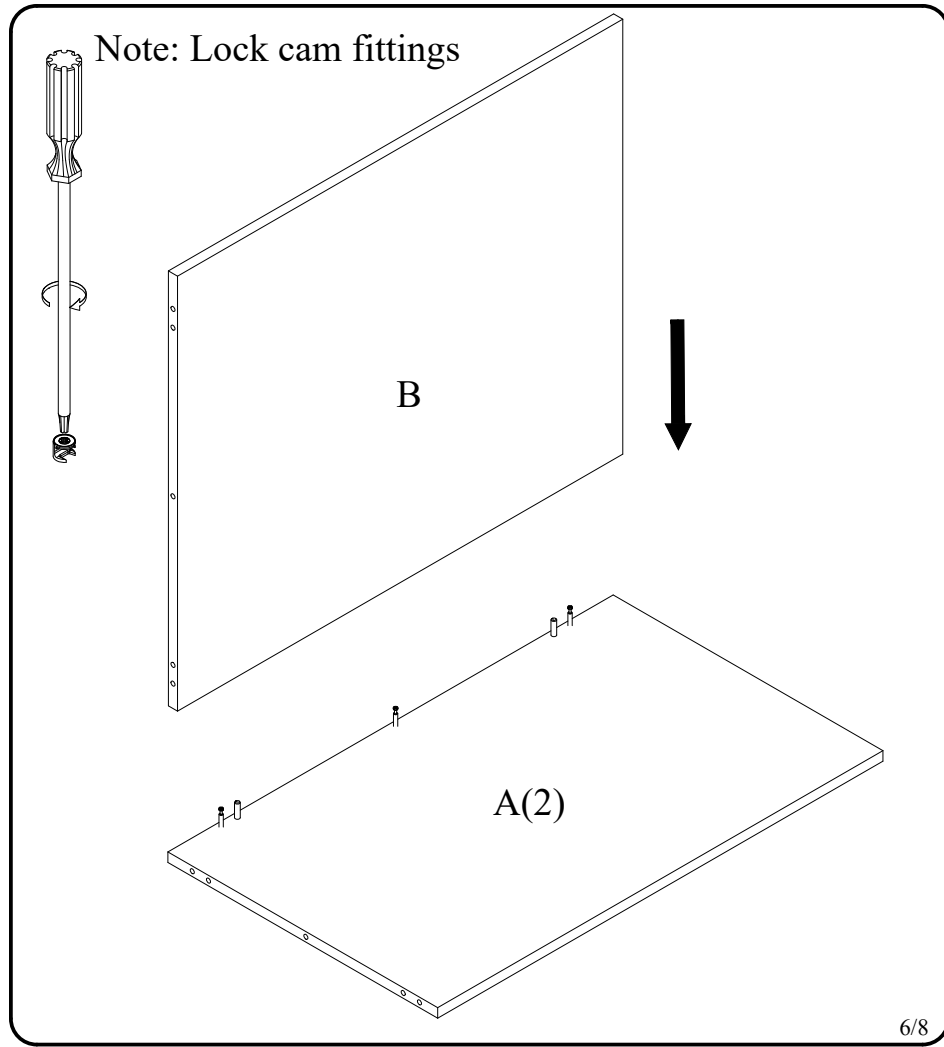
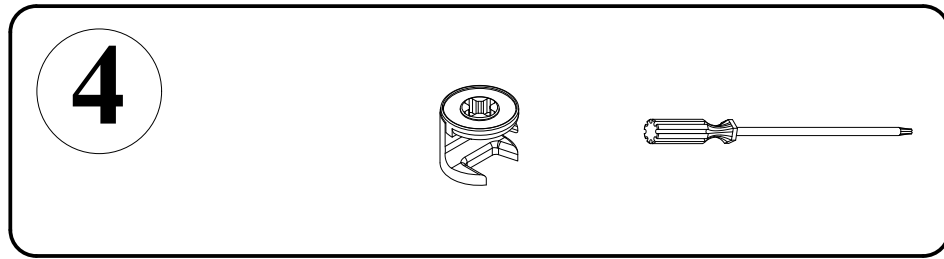
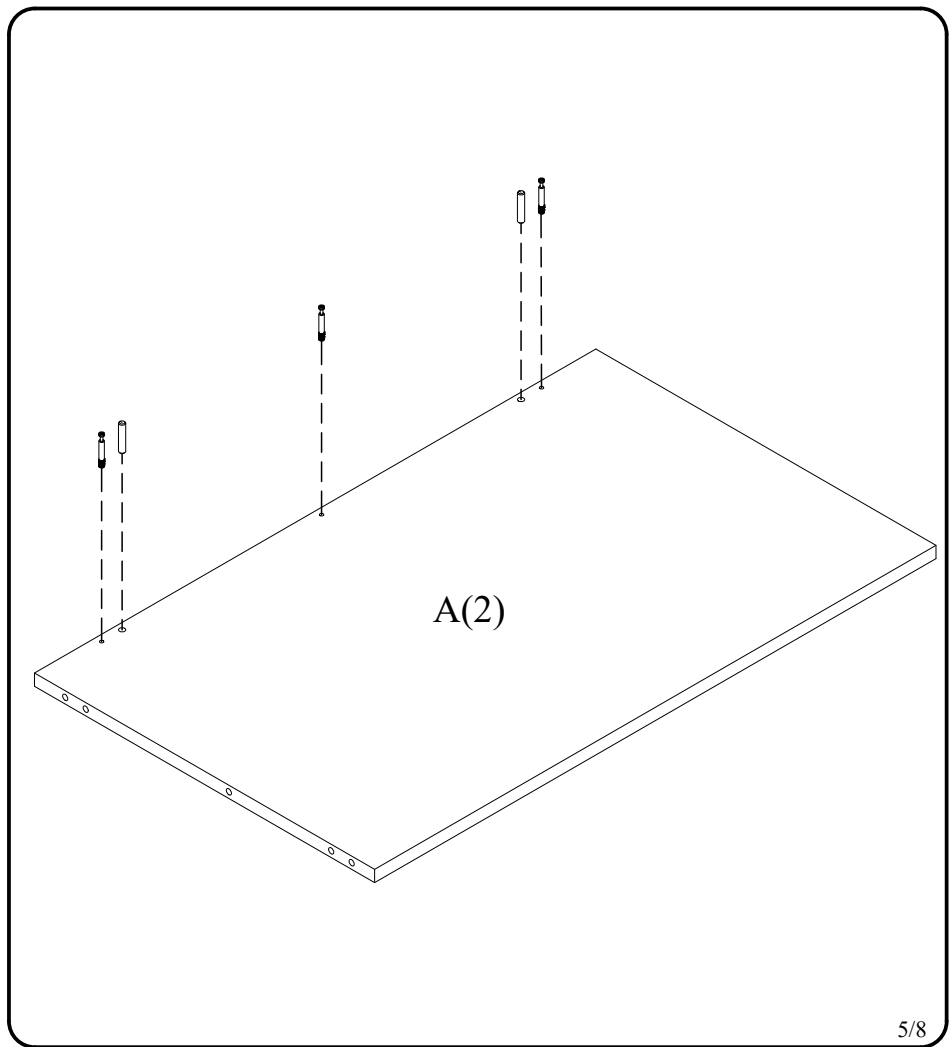
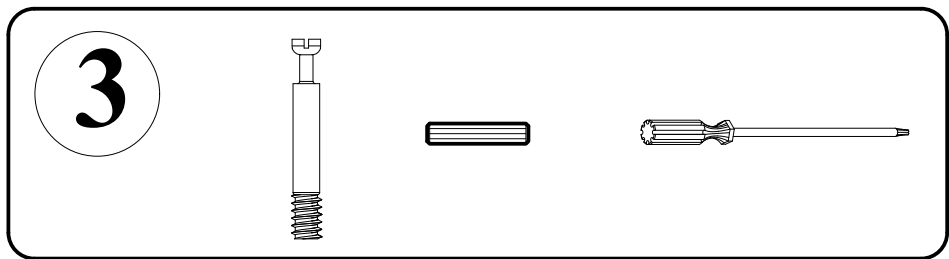
**1**



**2**

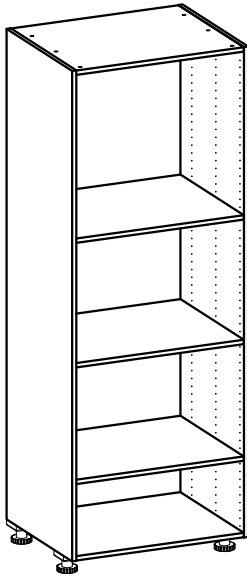






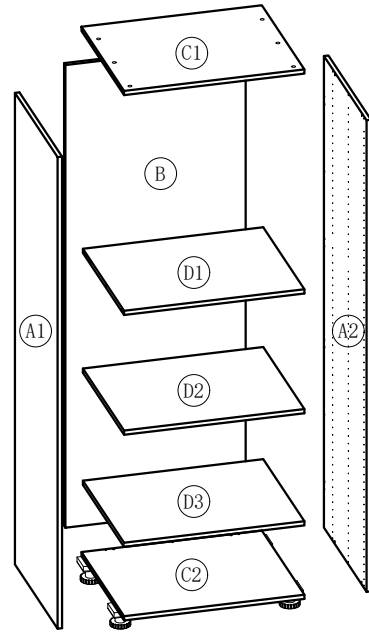
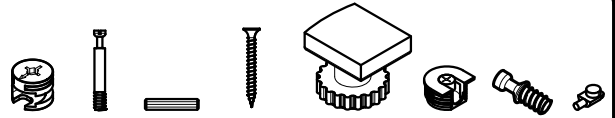
### BASE CABINET

PC 18"84"24	PC 18"90"24	PC 18"96"24
PC 21"84"24	PC 21"90"24	PC 21"96"24
PC 24"84"24	PC 24"90"24	PC 24"96"24
PC 30"84"24	PC 30"90"24	PC 30"96"24



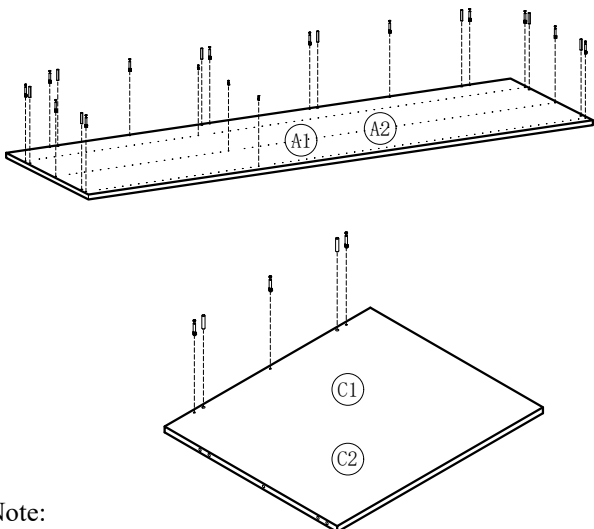
1/8

### PARTS



2/8

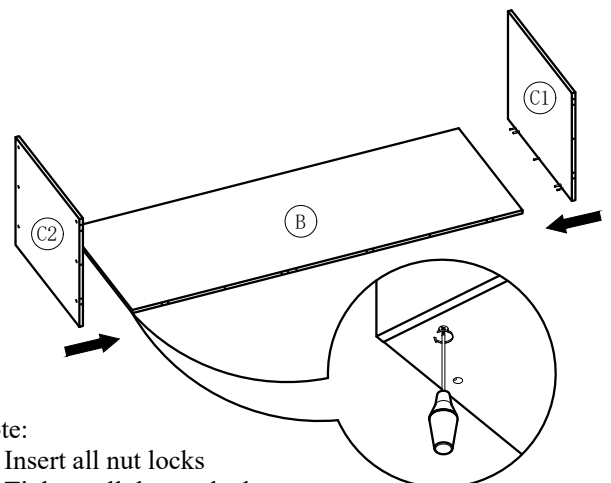
1



Note:  
- Insert screws and wooden pegs into part A1, A2, C1, C2.

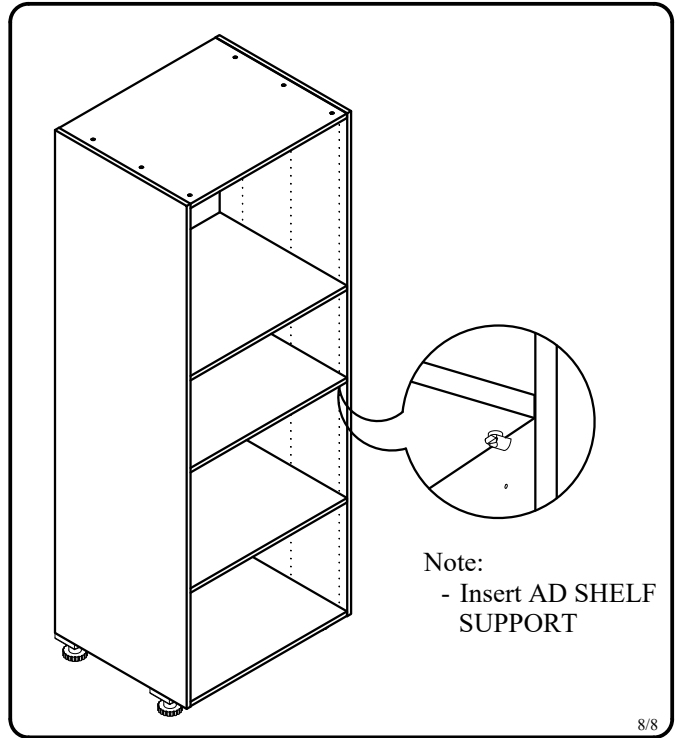
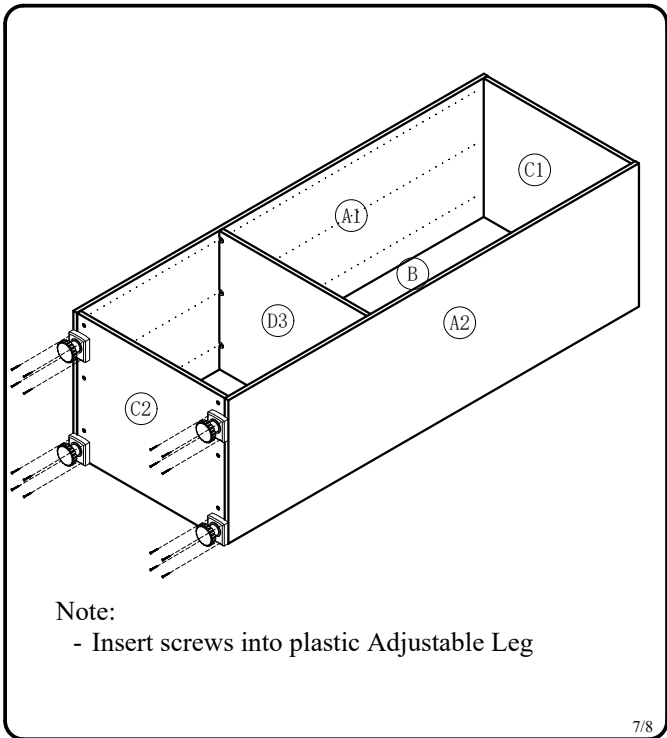
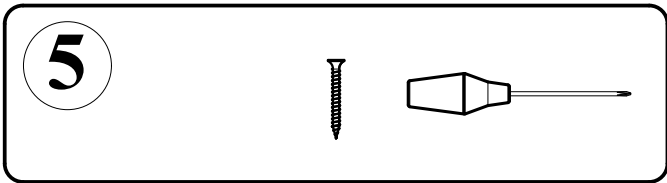
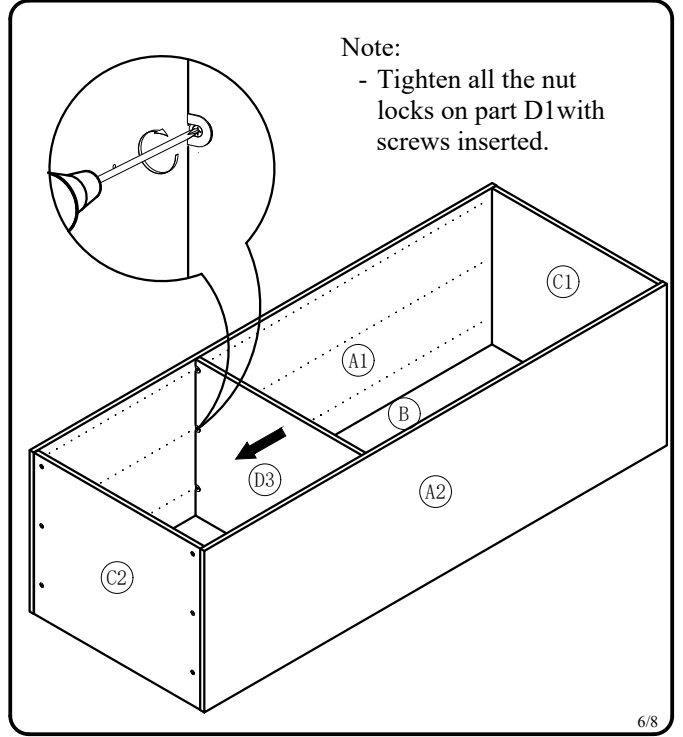
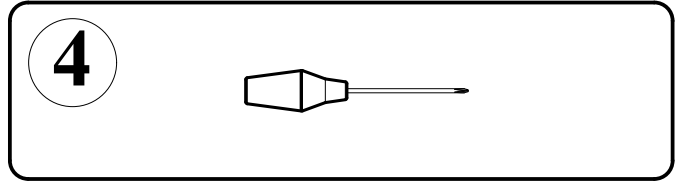
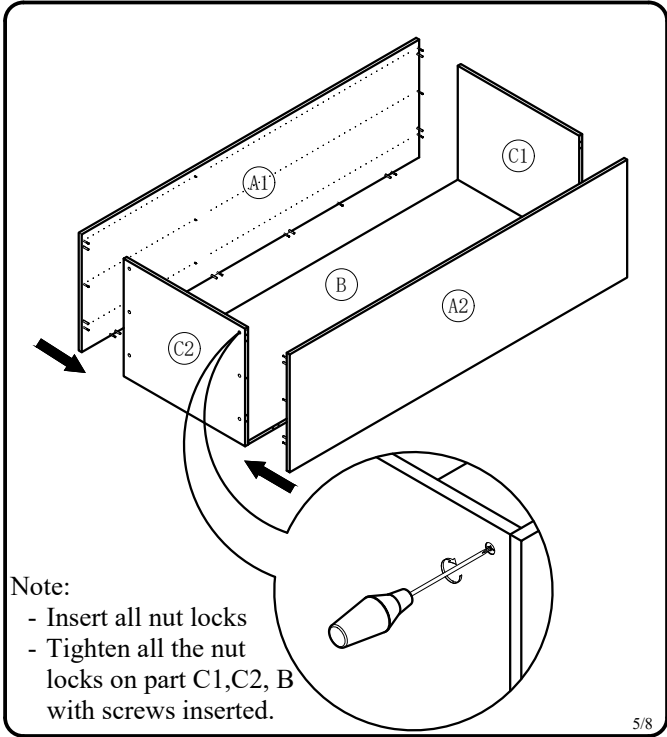
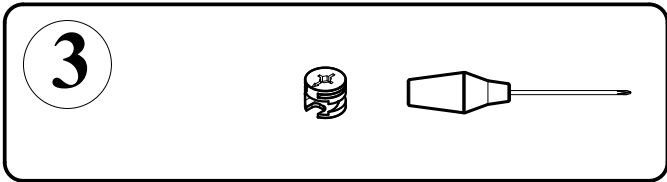
3/8

2



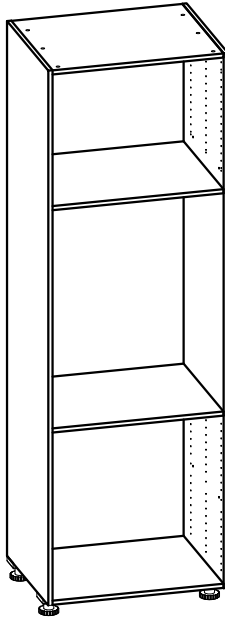
Note:  
- Insert all nut locks  
- Tighten all the nut locks on part B with screws inserted.

4/8



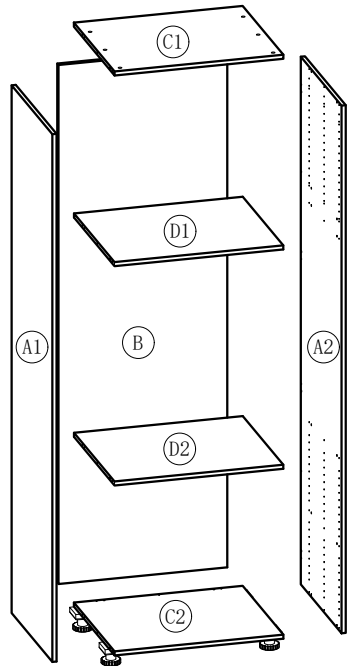
### BASE CABINET

OC 18"84"24	OC 18"90"24	OC 18"96"24
OC 21"84"24	OC 21"90"24	OC 21"96"24
OC 24"84"24	OC 24"90"24	OC 24"96"24
OC 30"84"24	OC 30"90"24	OC 30"96"24



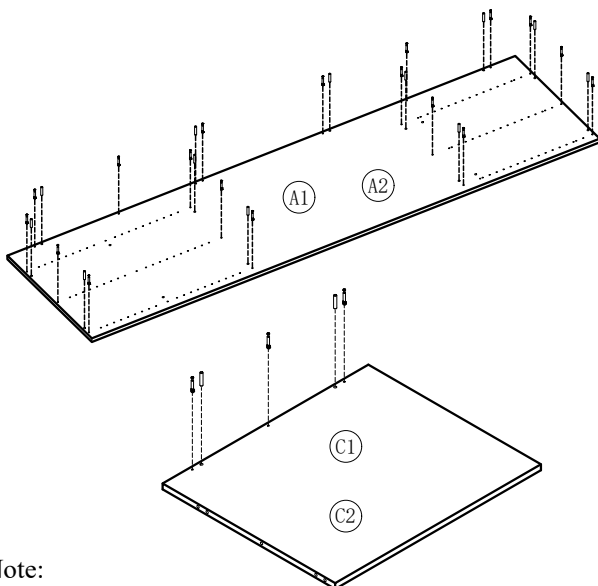
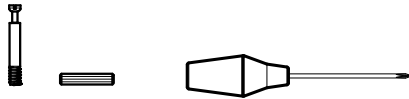
1/8

### PARTS



2/8

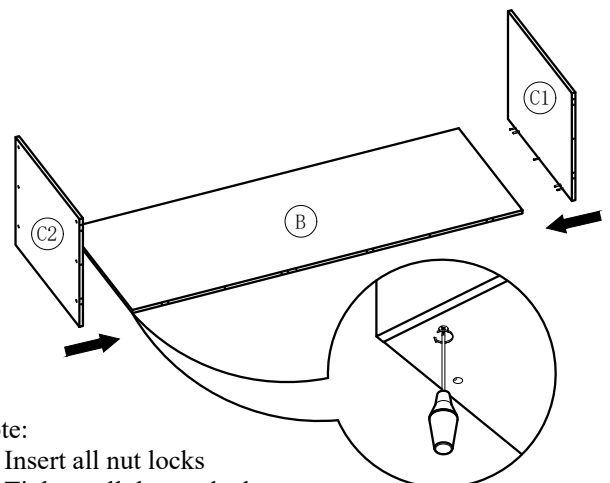
1



Note:  
- Insert screws and wooden pegs into part A1, A2, C1, C2.

3/8

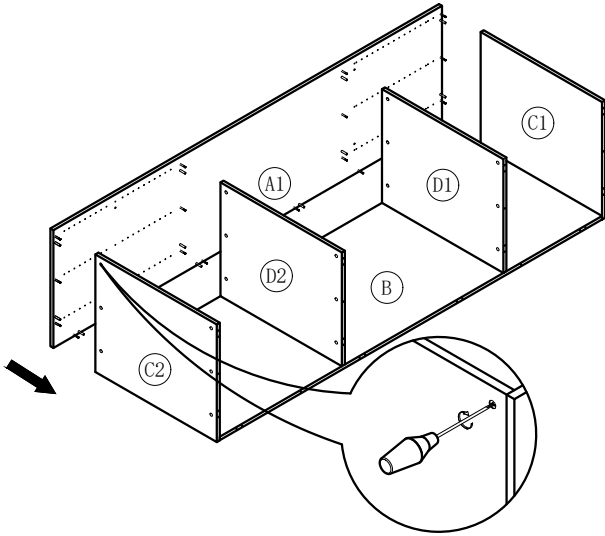
2



Note:  
- Insert all nut locks  
- Tighten all the nut locks on part B with screws inserted.

4/8

3

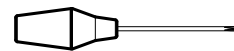


Note:

- Insert all nut locks
- Tighten all the nut locks on part C1, C2, D1, D2 with screws inserted.

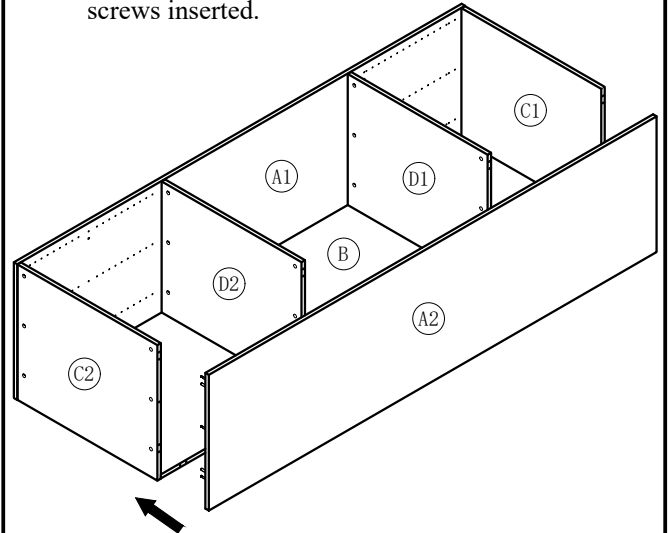
5/8

4



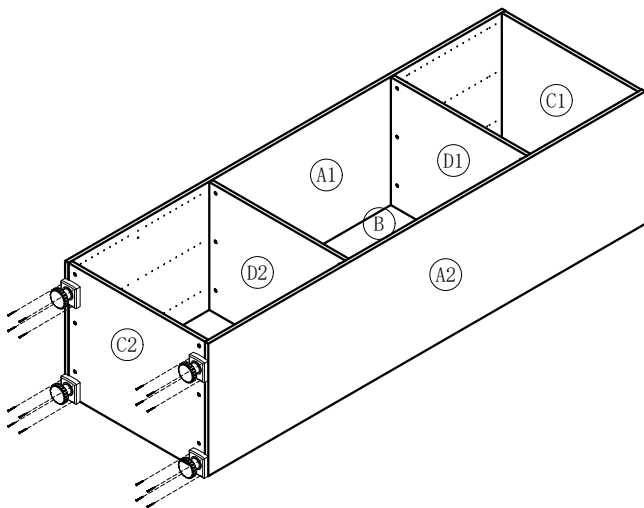
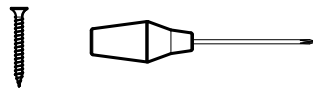
Note:

- Insert all nut locks
- Tighten all the nut locks on part C1, C2, D1, D2 with screws inserted.



6/8

5



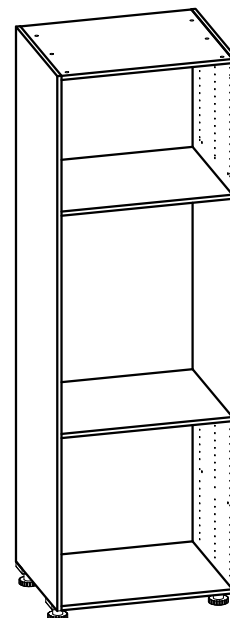
Note:

- Insert screws into plastic Adjustable Leg

7/8

6

FINISH



8/8